



Disney Crossy Road Arcade

DCR-65-1001



ADRENALINE
aagames.com

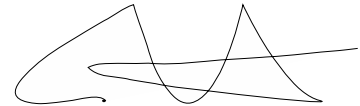
Operation & Service Manual

Version 3.0

*** Read this manual before use**

General Remark

If you encounter any difficulties or if you need support on how to update and/ or install your Disney Crossy Road product, we invite you to contact your local distributor or reach us at support@aagames.com or by calling our support line +1-450-824-1671



Adrenaline Amusements Team

Adrenaline Amusements
1150 Levis, Suite 302
Terrebonne, Qc
Canada
J6W 5S6

Table of Contents

Contents

General Remark	2
Table of Contents	3
Chapter 01 - Preface	5
Precaution for Game Operation.....	5
Safety.....	6
Environmental Conditions.....	6
Chapter 02 - Game Features	7
Win a lot of tickets! How to Play.....	7
Chapter 3 – Unit Features	8
Hardware Features.....	8
Cabinet Facts.....	8
Voltage	8
Chapter 04 – Unit Installation	9
Assembling your Disney Crossy Road Unit.....	9
Headers Installation	11
Chapter 05 – Operator Menu	14
Operator Menu	14
Chapter 06 - Service & Repair	16
Computer Connections	16
Troubleshooting	17
Video Troubleshooting.....	17
Audio Troubleshooting	18
Wireless Internet Configuration.....	19
Chapter 07 - Parts	22
Cabinet Parts	22

Cash Box Parts	23
Computer & Electronics	24
Decal Prints.....	25
Header Parts.....	26
Cabling.....	27
Wiring Harness	27
Computer Parts	27
Monitor Parts	27
Chapter 08 – Diagrams & Schematics	28
Power Distribution	28
I/O board INV-04-1201	29
I/O Board Wiring	33
RGB LED Controller Power Wiring Diagram	35
RGB LED Wiring Diagram.....	36
Chapter 09 – Software Recovery	37
Chapter 10 – Card Reader	38
Embed System.....	39
Limited Warranty Policies	41

Chapter 01 - Preface

Please read this page before preparing your Disney Crossy Road Arcade product for game play.

The following safety instructions apply to all game operators and service personnel. Specific warnings and cautions will be included throughout this manual.

Use the following safety guidelines to help protect the system from potential damage and to ensure your personal safety:

- Electronic components in the game cabinet run on 110V AC 60Hz (220V/ 50Hz in most of Europe, the Middle East and the Far East delivered units).
- To help prevent electric shock, plug the system into a properly grounded power source. These cables are equipped with 3-prong plugs to help ensure proper grounding. Do not use adapter plugs or remove the grounding prong from a cable. If you must use an extension cable, use a 3-wire cable with properly grounded plugs.
- To help protect your system from sudden increases and decreases in electrical power, use a surge suppressor, line conditioner or Uninterruptible Power Supply (UPS).
- Be sure nothing rests on the system's cables and that the cables are not located where they can be stepped on or tripped over.
- Keep your system far away from radiators and other heat sources.
- Do not block cooling vents.

Precaution for Game Operation

Adrenaline Amusements Inc. assumes no liability for injuries incurred while playing our games.

Operators should be aware that certain health and physical conditions may make people susceptible to injury when playing video games.

Safety



To avoid electrical shock, unplug the cabinet before performing installation or service procedures.

If a power cord is damaged, it must be replaced by the equivalent power cord available from your distributor.



Adrenaline Amusement Inc. assumes no liability for any damages or injuries incurred while setting up or servicing the cabinet. Only qualified service personnel should perform installation or service procedures.

Environmental Conditions

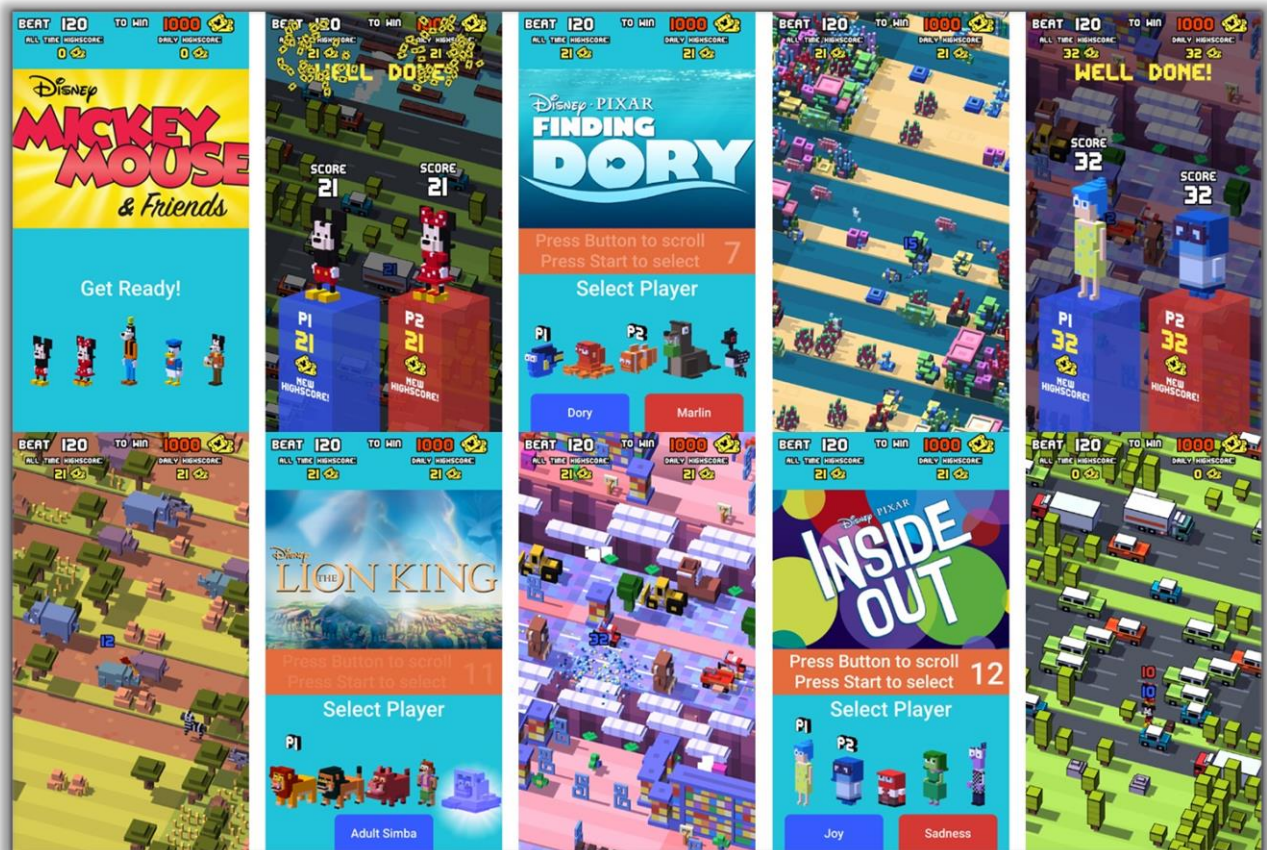
Cabinet is intended for indoor use only. Be sure to keep the cabinet dry and maintain operating temperatures of 59° - 86°F (15° - 30°C).

Chapter 02 - Game Features

Win a lot of tickets!

How to Play

- Tap the button to cross roads, tracks and rivers.
- 100% Skill game.
- Challenge your friends; 2 player game play.
- Skill Bonus; beat the target score and win a bonus of 100 to 1000 tickets



Chapter 3 – Unit Features

Hardware Features

- 2 Players Game
- Dual Ticket Dispenser

Cabinet Facts

Cabinet Dimensions

96,52cm
38,00"

93,50"
237,49cm

104,14cm
41,00"

Height = 102" / 2.59m

Depth = 41" / 104cm Width = 38" / 0.96m

Shipping Dimensions

Width = 45" Depth = 57" Height = 85"
 Weight = 650lbs

Voltage

Voltage	Operating
110V AC	4 AMP
220V AC	2 AMP

Chapter 04 – Unit Installation

Assembling your Disney Crossy Road Unit

1. Carefully remove the Cabinet from the shipping container, giving you enough space.
2. Move the cabinet to the desired location.

**** For your security, minimum 2 persons are needed to complete the installation ****

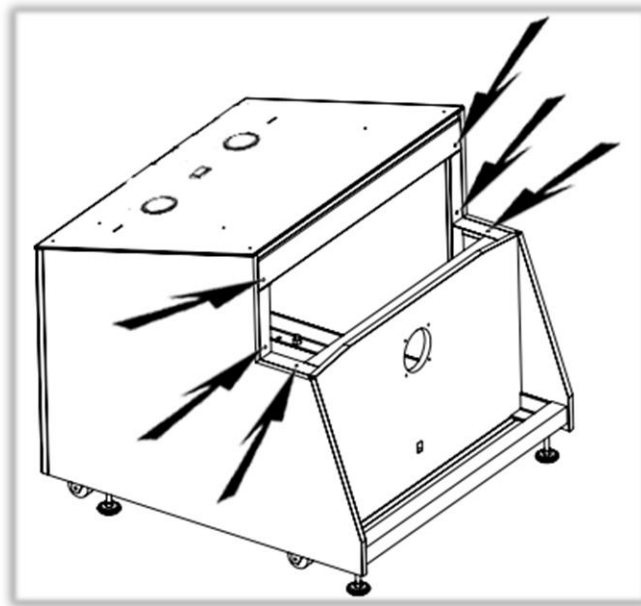


Fig. 1

3. Before installing the monitor, locate the 6 bolt holes as seen on figure 1.

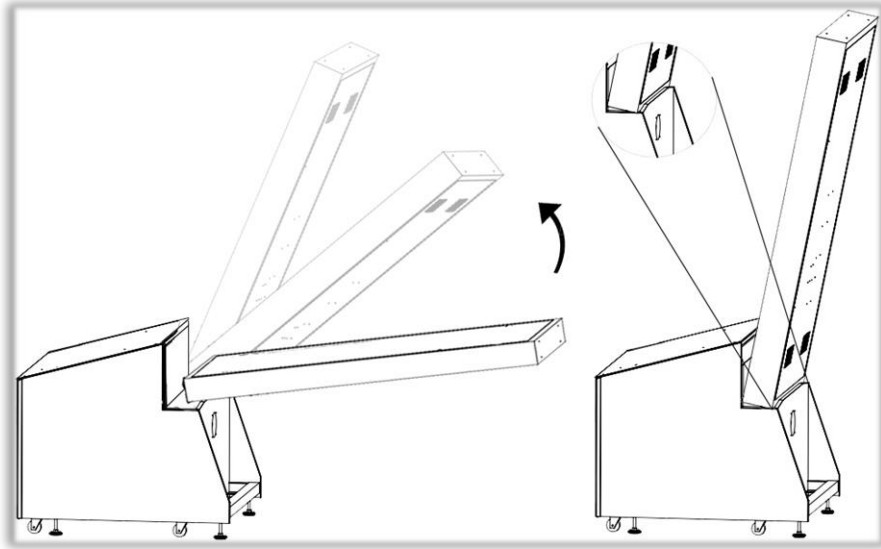


Fig. 2

4. Place the bottom back of the TV over the security support before lifting it vertically.

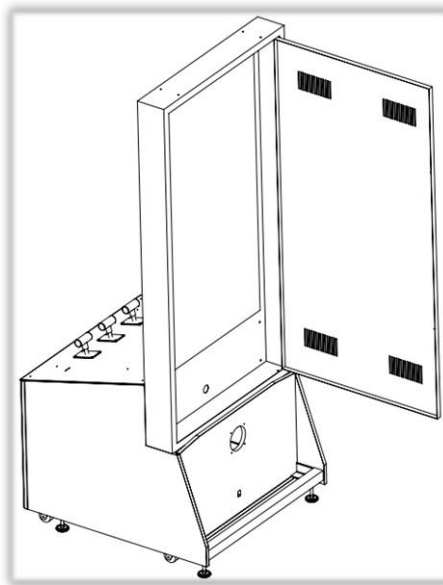


Fig. 3

5. Affix the 6 bolts **1/4-20 x 1"** and tighten them.

Headers Installation

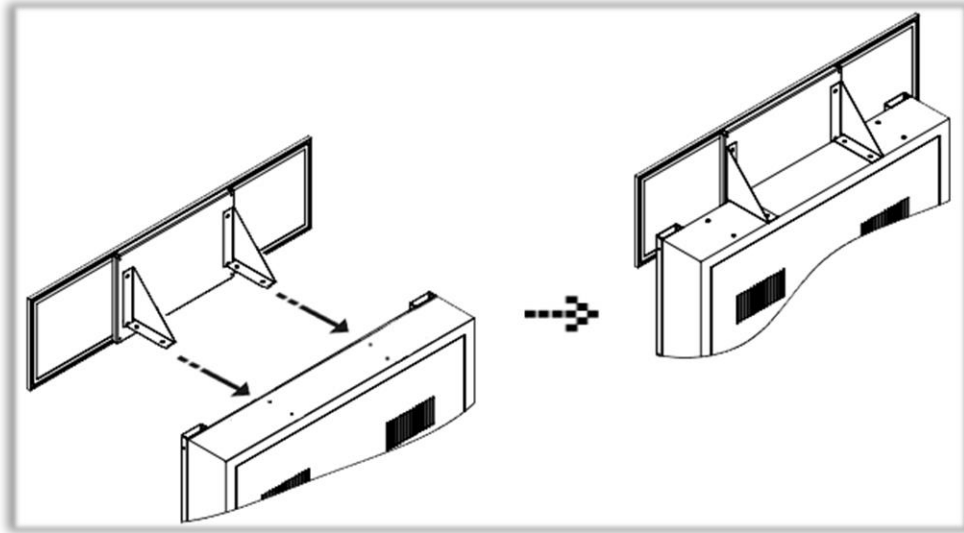


Fig. 4

-Using a ladder, fix the header to the monitor using the 4 bolts M6 X 12. The header will be slightly in front of the LED strips.

-Connect the 12V LED Panel barrel connector.

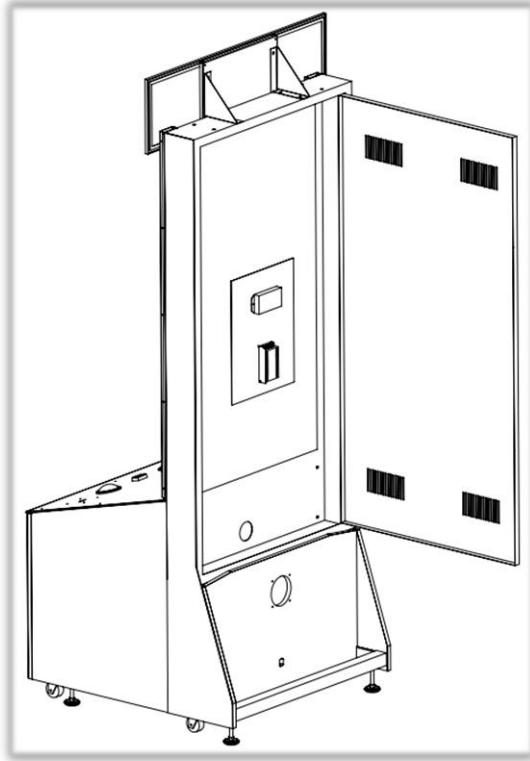
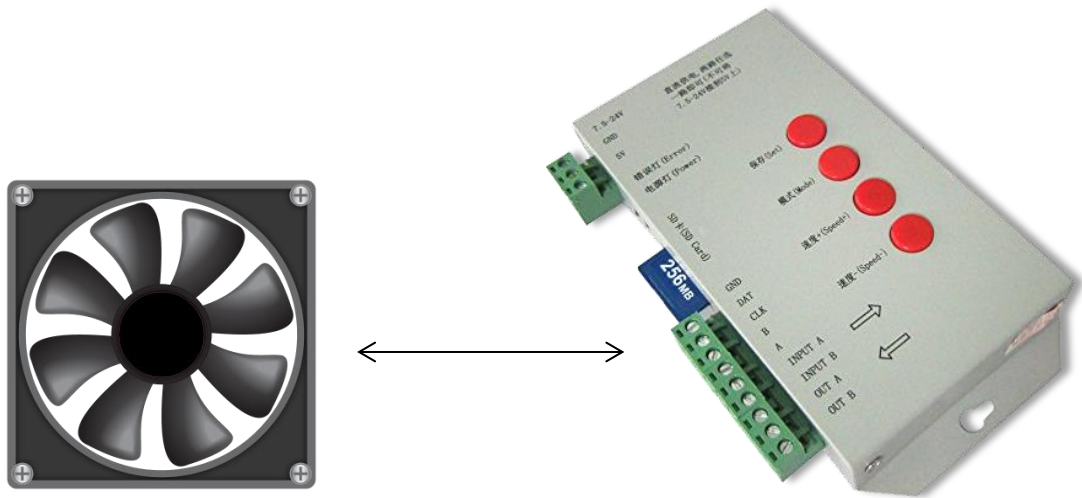
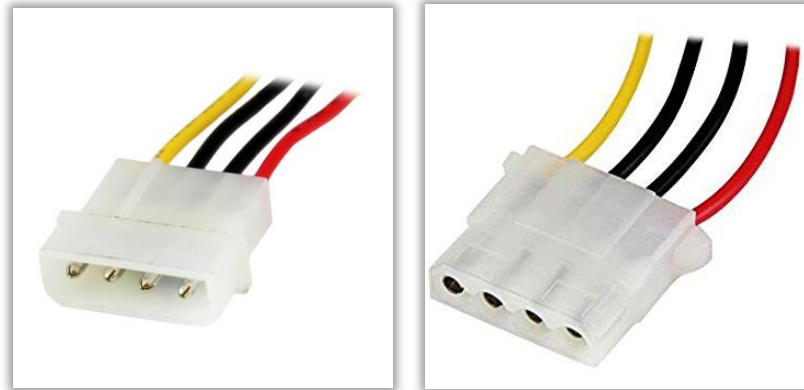


Fig. 5

- Run the monitor DVI cable, the 4-pins 5V/12V cable and the AC cable through the bottom hole.
- Connect the DVI monitor cable to the computer inside the cabinet.
- Connect the AC power cable to the Surge Protection Power Bar.



- Connect the 4-pins 5V/12V Molex extension between the Fan inside the cabinet and the RGB LED controller from the monitor.



Chapter 05 – Operator Menu

Operator Menu

Access the Operator Menu by pressing the switch button located inside the top coin door.

Player 1 Button: *Scroll Up/Increase Value*

Start Button: *Select*

Player 2 Button: *Scroll Down/Decrease Value*

OPERATOR MENU			
Version #			
Credits per game			4
Game Audio Volume			20
Attract Audio Volume			15
Ticket Value			1
Payment Type		Credits	
Redemption Mode		ON	
Redemption Unit Name		Tickets	
Ticket Feed		Continuous	
Minimum Tickets			0
Bonus Value			250
Credit Sharing		False	
Average Game For Bonus			250
Tickets per Step			1
Activate Bonus		Yes	
Fixed Tickets			0
Clear	Game	Resume	Quit
Credits	Stats	Game	Game

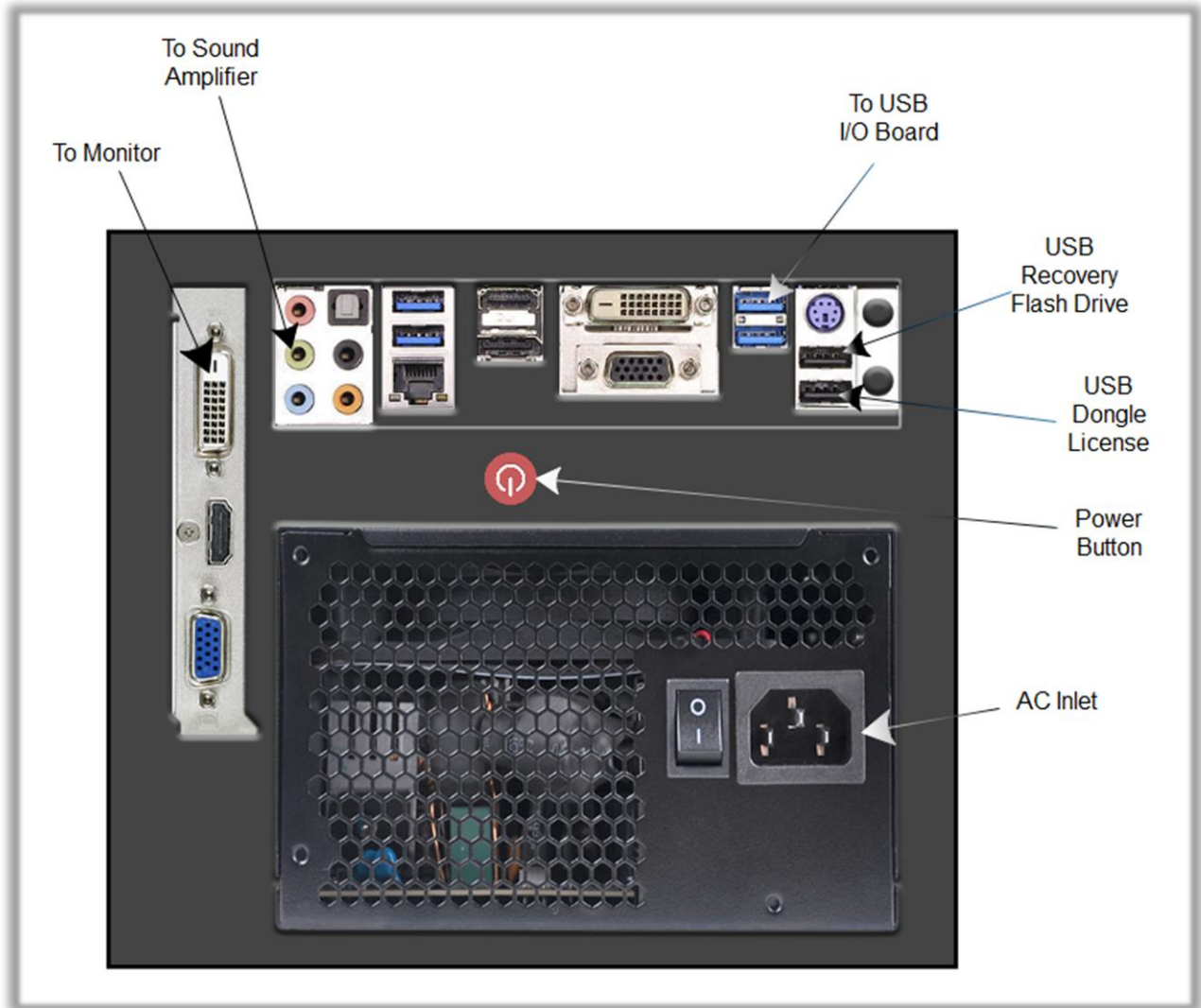
Disney Crossy Road Manual V3.0
Chapter 05 – Operator Menu

Operator Menu	Values	What it does
Credits Per Game	0 – 20	Adjusts the number of credits required to play. “0” sets the unit in free play mode.
Game Audio Volume	0 – 20	Adjusts the in-game audio volume. “0” will mute the game.
Attract Audio Volume	0 – 20	Adjusts the audio volume of the attract loop. “0” will mute the attract loop.
Ticket Value	1 – 2	Adjusts the value of physical tickets. Physical tickets are either worth “1” ticket or “2” tickets.
Payment Type	Credits / Card	Changes the credit type. “Credits” = Coins and “Card” = Card Reader. This will change the in-game text accordingly.
Redemption Mode	On / Off	Adjusts the Redemption availability.
Ticket Feed	Continuous / End Game	Adjusts the ticket distribution mode (Continuous: during the game; End Game: At the end of the game). <u>If you have a Card Reader please use END GAME.</u>
Minimum Tickets	0 – 20	Adjusts the minimum number of tickets per game.
Bonus Value	50 - 1000	Adjusts the number of tickets given when the Bonus is reached.
Credit Sharing	True / False	Adjusts the credit sharing option between each players. (False: Sharing Disabled // True: Sharing Enabled) <u>If you have a Card Reader please use FALSE.</u>
Average games for Bonus	10 - 1000	Sets how frequently the Bonus could be awarded.
Tickets per Step	0,1 - 2	Adjusts the divider for the amount of tickets given per number of steps (Increment per 0.1).
Activate Bonus	On / Off	Adjusts the Bonus availability.
Fixed Tickets	0-20	Adjusts the number of tickets given each games. (Default: 0)

Game Stats	N/A	Shows the Stats Screen.
Clear Credits	N/A	Resets the Inserted credits to 0 if more than 40 credits are entered.
Quit Game	N/A	Exits the game and returns to the Windows desktop.
Resume Game	N/A	Exits the Operator Menu and returns to the game.

Chapter 06 - Service & Repair


Computer Connections



Troubleshooting

*** NOTE: When requesting a warranty replacement you will be asked to give the unit’s serial number from the back of the unit.**

Video Troubleshooting	
No Picture and Sound	To change between Portrait and Landscape mode, press ALT-P (Portrait) or ALT-L (Landscape) or ALT-i (Portrait Inverted) using a USB keyboard.
	There are loose or faulty connections between the monitor and the computer. Make sure the DVI cable is connected properly to both the computer and to the DVI connector of the LCD monitor.
	No power to computer. <ul style="list-style-type: none">• Verify that the computer is powered ON.• Open the service door and press the RED or WHITE power button.• Make sure that the power plug is well connected.
	The Bios settings have changed, If the computer does not power automatically when the unit is powered on, follow these steps: <ul style="list-style-type: none">• Open the cabinet and plug a USB keyboard in one of the remaining USB ports.• Press and hold the “Delete” key on the keyboard and then turn the computer on. Keep holding the “Delete” key until the Bios screen appears.• Using the arrows, select the “Advanced” tab.• Using the arrows, scroll down to the Chipset Configuration option and press the “Enter” key.• Using the arrows, scroll down to the Restore on AC/Power Loss option and press the “Enter” key.• Using the arrows, select the Power On option and press the “Enter” key.• Press the “F10” key then the “Enter” key to exit the Bios screen.

Audio Troubleshooting	
Low Volume / No Sound	Increase the volume in the game by pressing the Operator Button and adjusting the volume options in the Operator Menu. You might also Quit the game to Windows desktop and increase the volume via the  Speaker icon on the bottom right of your screen.
	Verify that the 1/8" plug is plugged in the computer's green sound input jack and that the other end is plugged in the sound amplifier. To verify if it's plugged properly, power up the unit and try touching the plug at the computer's end. If you hear a grounding sound it is connected.
Dongle not found	The USB License Dongle can't be found. Make sure that the USB Dongle is connected to the computer in a black USB port.

Wireless Internet Configuration

Your network can be configured via Ethernet cable or Wireless 802.11.

If you have an Ethernet cable available to be plugged in, insert it into the motherboard LAN RJ45 connector.

If not, here's how to configure your wireless network with your own existing Wi-Fi network.

-Start the unit.


-There will be Adrenaline Amusements wallpaper with a 150 seconds delay before the attract mode shows up. It gives enough time for a wireless network to connect.

(This delay will be present on each reboot if you don't connect your unit to the Internet).*

-Open the coin door and press the Operator button.

-Choose QUIT to Windows.

-Connect the USB keyboard and USB mouse.

- Open Connect to a Network by clicking the network icon () in the lower right corner of the screen.

-In the list of networks, click the network you want to connect to and click connect.

-Enter your security key.

-Once connected, double-click the CrossyRoad shortcut on the desktop.

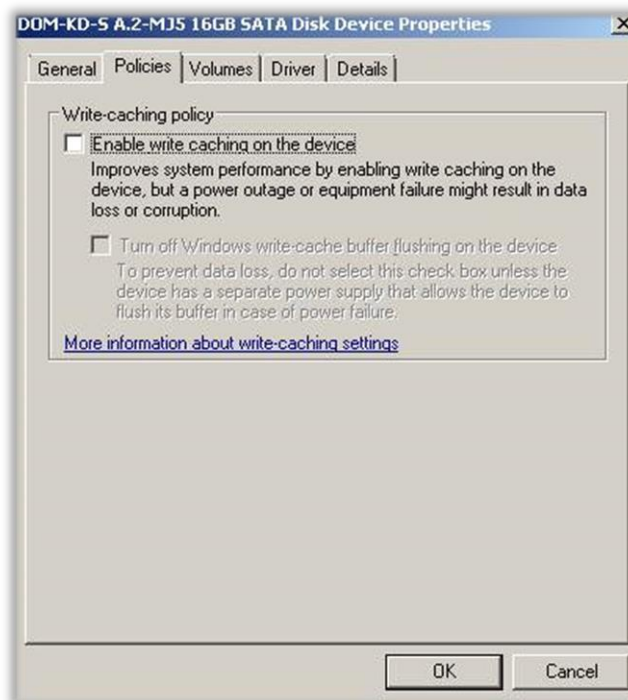
Having your unit connected to the Internet includes free software live update!

*If you do not connect your unit to the Internet, you can double-click the Disable_Network shortcut on the Windows desktop to bypass the 150seconds Internet lookup delay.

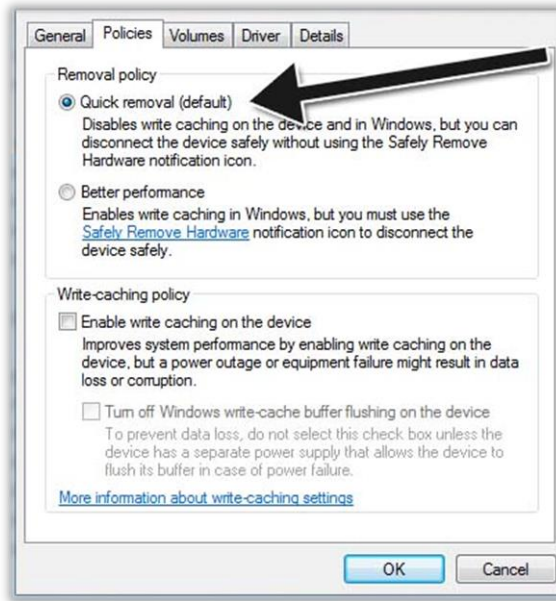
Operator Settings keeps resetting trouble

The Windows write cache needs to be disabled.

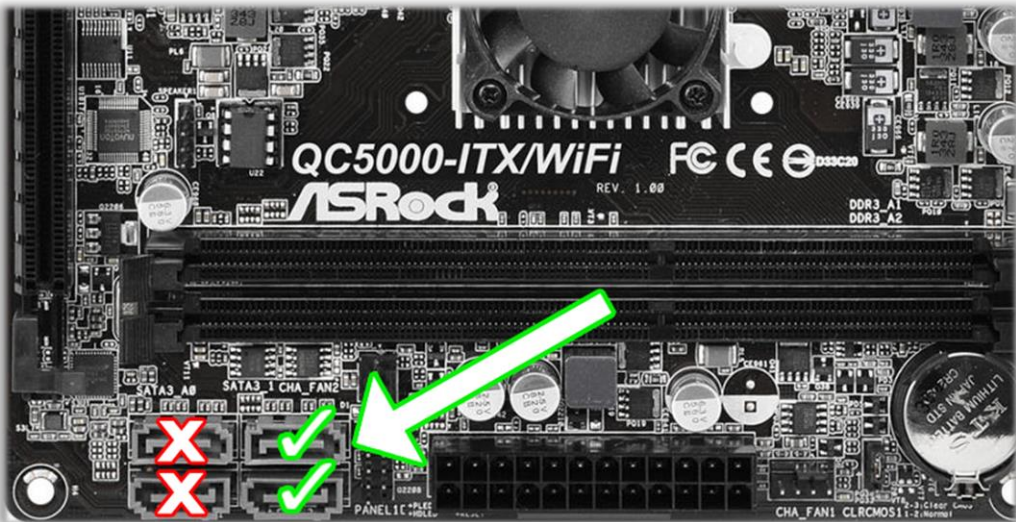
- Exit the game to Windows.
- Press on Start
- Right click on My Computer
- Choose Properties
- Click on Device Manager
- Expand Disk Drives
- Double click the 32GB Device (Not the USB drive if there is one)
- Go to Policies
- Remove the check in front of “Enable Write caching on the device” as seen below, press OK and then YES to reboot the computer.



If you have a screen that look like this one

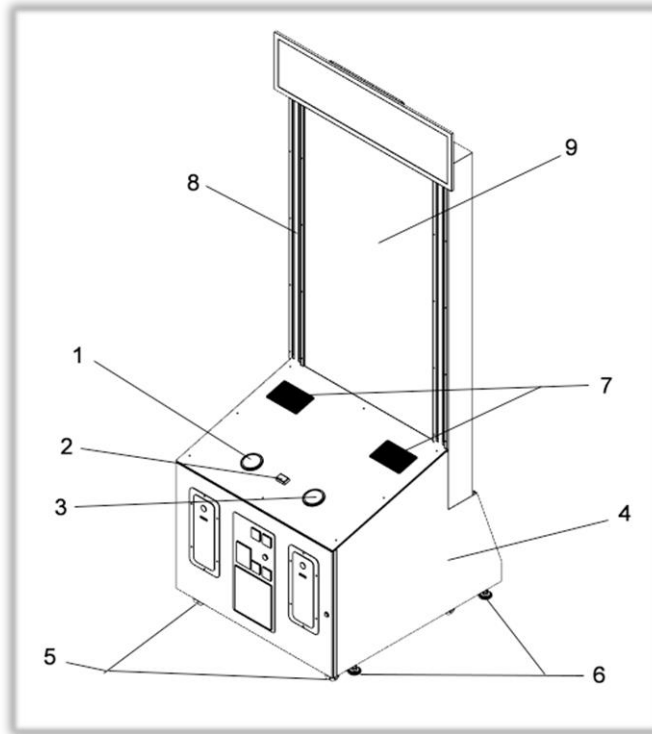


Power off the computer and change the hard drive SATA cable connector and use one of those 2 SATA connectors on the motherboard identified by the green checkmarks. Power on the unit and redo the instructions to disable the Write Cache.



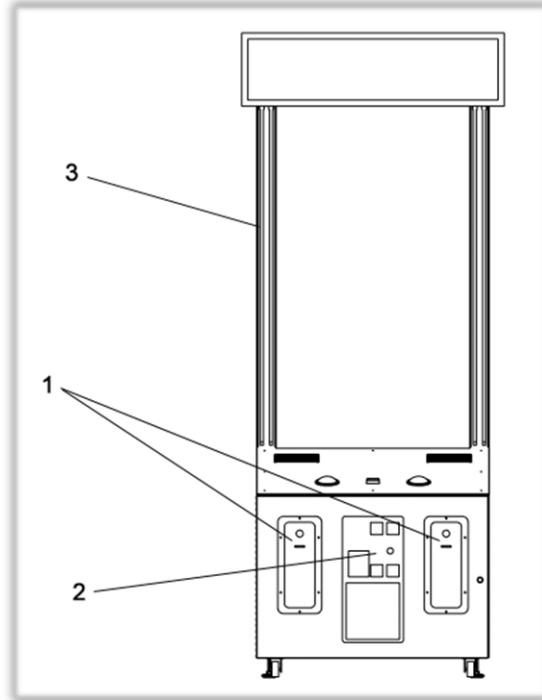
Chapter 07 - Parts

Cabinet Parts



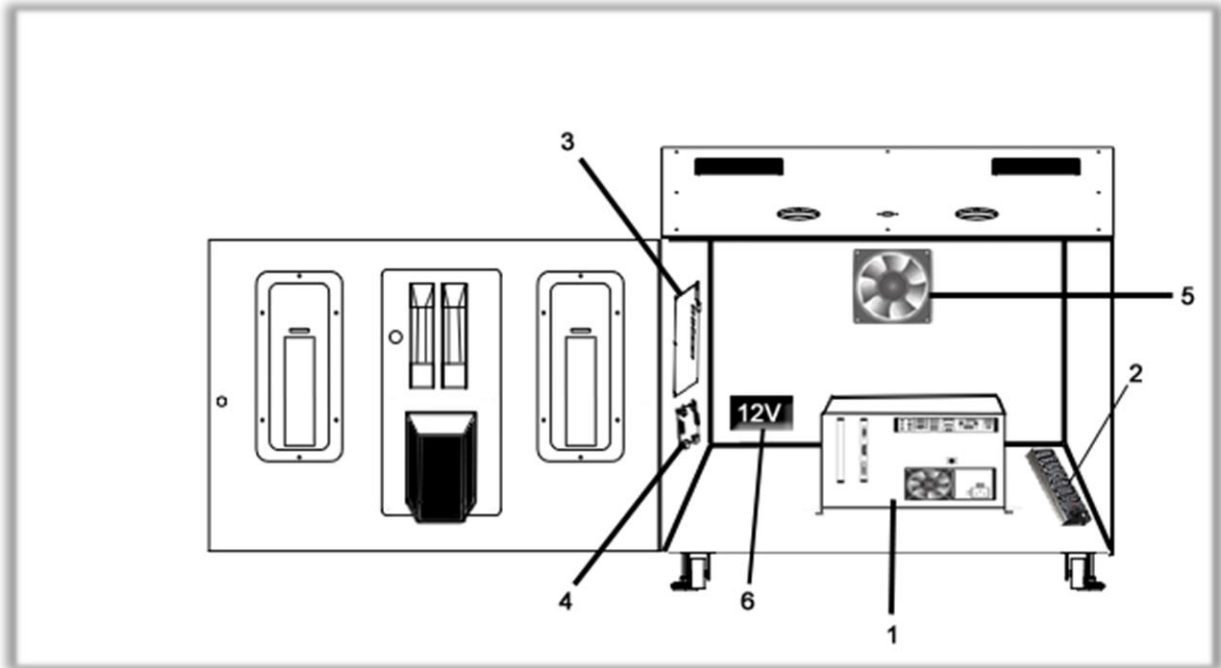
Ref	Part Description	Part #
1	Jumbo Blue Button	ADR-75-4002-12ZL
2	White Start Button	ADR-D54-0004-51
3	Jumbo Red Button	ADR-75-4002-10ZL
4	Wood Cabinet	ZFT-Bois
5	Pivot Wheels	INV-F25083
6	Levelling Mount	INV-62805K-39
7	Speakers	ADR-50-9986-00
8	Led Strip A & B	INV-14-1021 & INV-14-1022
9	Monitor 65"	MF-DO-65V
	Characters Dash LED	MF-14-1030-01

Cash Box Parts



Ref	Part Description	Part Number
1	Ticket Door Assembly	ADR-40-0540-00
2	Coin Door	ADR-40-3000-06
3	Frosted Acrylic Led Cover	ACL-65
	Ticket Bin	ADR-42-1015-00
	Meter 7-Digits	ADR-42-0754-07
	LED Modules (Under Acrylic)	MF-14-1030-01
	Coin Container	INV-07-1011

Computer & Electronics



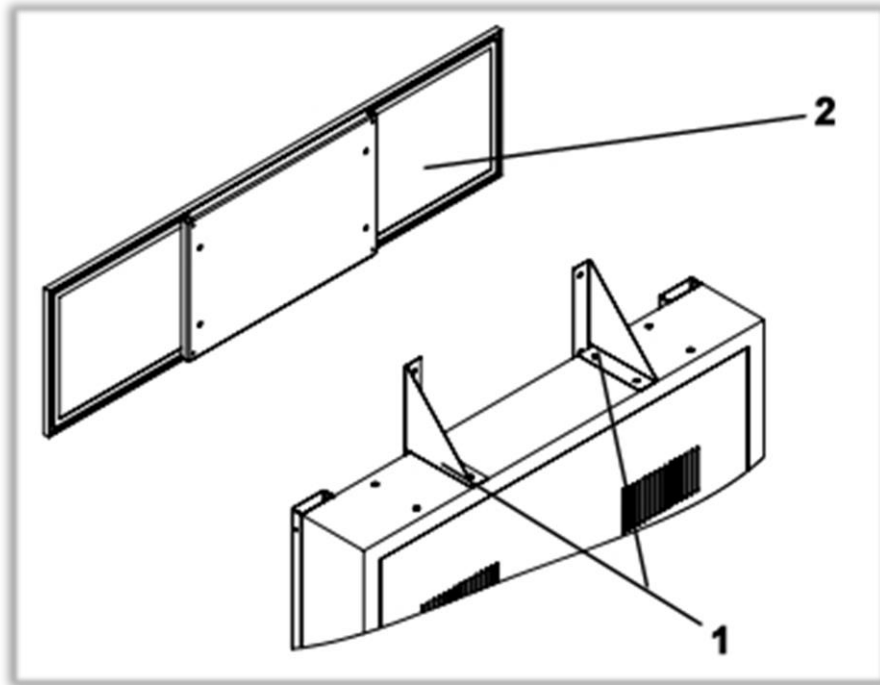
Ref	Part Description	Part Number
1	Computer	ADR-11-1011-DCR
2	Outlet Power Bar IEC4	INV-05-1241
3	I/O Board	INV-04-1201
4	Audio Amplifier Board	INV-14-0005
5	Fan 120mm 12V	ADR-FAN-120MM
6	12VDC 5A Power Supply	INV-14-0006
	LED Controller T-1000S	INV-14-1023
	SD Card	INV-14-1013-SD
	PCB RGB LEDs 5V Delay	INV-04-1303

Decal Prints



Ref	Part Description	Part Number
1	Header Lexan (Decal)	DCR-09-1002
2	Left Side Decal	DCR-09-1003
3	Front Decal	DCR-09-1004
4	Right Side Decal	DCR-09-1005
5	Acrylic Top Dash Board	DCR-09-1006
	Sticker Start Button	FT-09-Start
	Sticker Tap Button	FT-09-Tap

Header Parts



Ref	Part Description	Part Number
1	Header Brackets	ZTFX-01-1481
2	Header (LED Panel)	ADR-09-1017
	Header Metal Back Plate	ZTFX-01-1481

Cabling

Part Description	Part Number
3 Feet USB "AB" cable	INV-USB-AB1-03
Long LED cable (inside the monitor)	MF-03-4050
Short LED cable (LED-A @ LED-B)	MF-03-4060
3.5mm to 2X Male RCA Audio Cable 6'	INV-35MM-RCAE-06

Wiring Harness

Part Description	Part Number
IO Board (J1 & J3) Buttons & Operator	FT-03-4010
LED Light (J3)	FT-03-4020
Ticket Dispensers (J2 & J6)	FT-03-4030
Coin Acceptor (J7)	FT-03-4040
Cabinet Cable (Fan)	FT-03-4050
5V/12V Molex Extension	FT-03-4060
Harness for Long LED	MF-03-4050
Harness for Short LED	MF-03-4060

Computer Parts

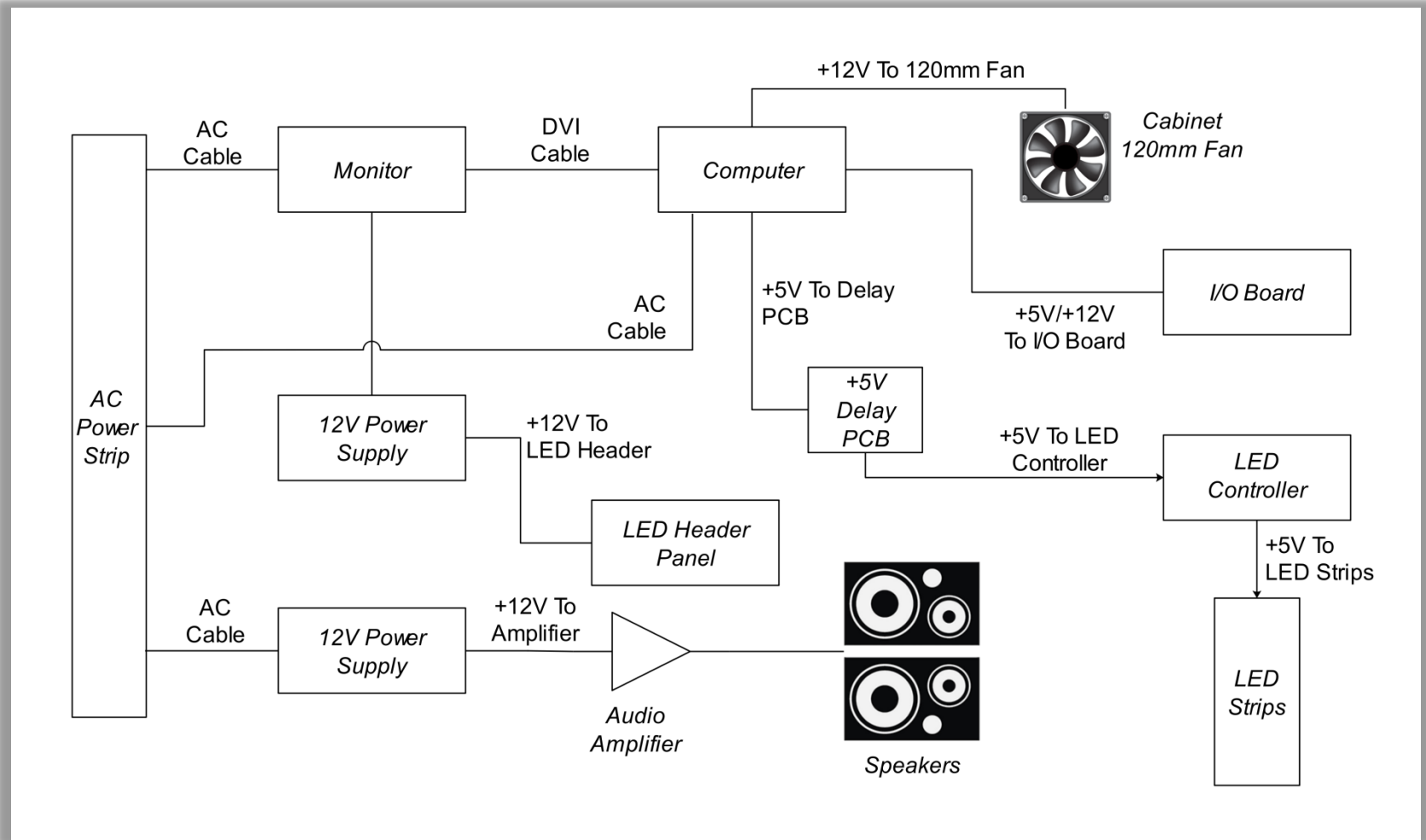
Part Description	Part Number
Motherboard AsRock QC5000	INV-11-1011
Video Card PCI-E Radeon	ADR-04-VCSAPH
Power Supply 500W	ADR-11-EVGA-PS
Hard Drive with OS & Game	INV-11-1017-DCR
USB Restore Flash Drive	ADR-11-2012-DCR

Monitor Parts

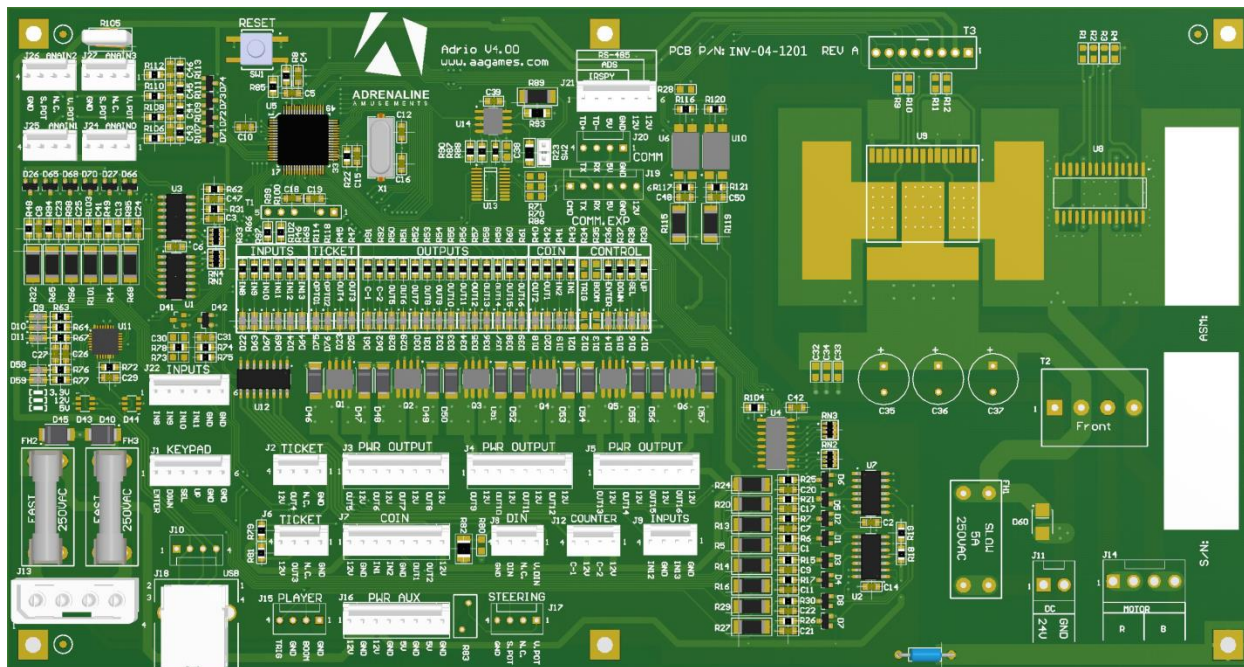
Part Description	Part Number
65" Monitor Power Board	INV-04-PB-65
65" Monitor Video Board	INV-04-VB-65

Chapter 08 – Diagrams & Schematics

Power Distribution



I/O board INV-04-1201



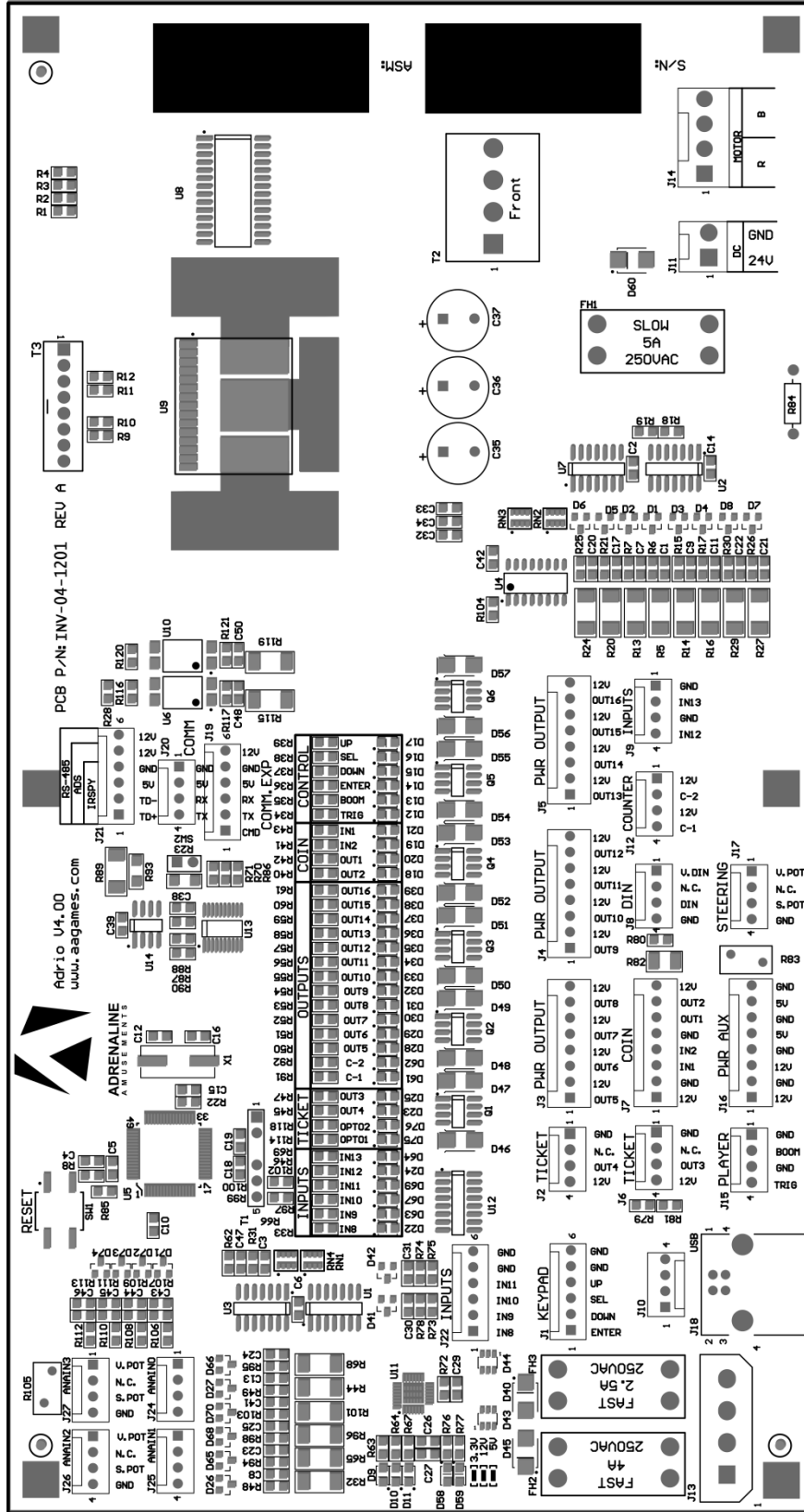
<u>J1</u>	<u>J2</u>	<u>J3</u>	<u>J4</u>
<p><u>Keypad</u></p> <ol style="list-style-type: none"> 1. (Green) Enter 2. (Blue) Down 3. (White) Select 4. (Red) Up 5. (Brown) GND 6. (Black) GND 	<p><u>Ticket Dispenser (Right Player)</u></p> <ol style="list-style-type: none"> 1. (Black) GND 2. (Orange) Opto1 3. (Yellow) Out4 4. (White) +12V 	<p><u>Buttons Lights</u></p> <ol style="list-style-type: none"> 1. (Green) Out5 2. (Red) 12V 3. (Orange) Out6 4. (Black) +12V 5. (Yellow) Out7 6. (Brown) +12V 7. No Use 8. No Use 	<p><u>Dash Lights</u></p> <ol style="list-style-type: none"> 1. (Black) Out9 2. (Red) 12V 3. No Use 4. No Use 5. No Use 6. No Use 7. (Yellow) Out12 8. (White) +12V
<u>J5</u>	<u>J6</u>	<u>J7</u>	<u>J8</u>
No Use	<p><u>Ticket Dispenser (Left Player)</u></p> <ol style="list-style-type: none"> 1. (Brown) GND 2. (Green) Opto2 3. (Blue) Out3 4. (Red) +12V 	<p><u>Coin Switches</u></p> <ol style="list-style-type: none"> 1. (White) +12V 2. (Black) GND 3. (Red) IN1 4. (Yellow) IN2 5. (Blue) GND 6. (Brown) OUT1 7. (Orange) OUT2 8. (Green) +12V 	No Use

Disney Crossy Road Manual V3.0
Chapter 08 – Diagrams & Schematics

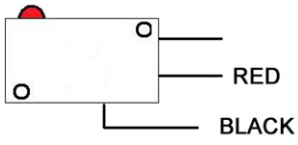
<u>J9</u>	<u>J10</u>	<u>J11</u>	<u>J12</u>
No Use	No Use	No Use	No Use

<u>J13</u>	<u>J14</u>	<u>J15</u>	<u>J16</u>
<u>5V/12V Input DC</u>	No Use	No Use	No Use
<u>J17</u>	<u>J18</u>	<u>J19</u>	<u>J20</u>
No Use	USB to Computer	No Use	No Use
<u>J21</u>			
No Use			

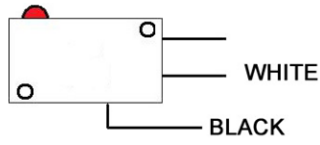
Disney Crossy Road Manual V3.0
 Chapter 08 – Diagrams & Schematics



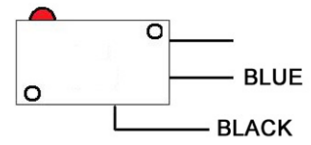
IO Board J1 connector



Blue Button

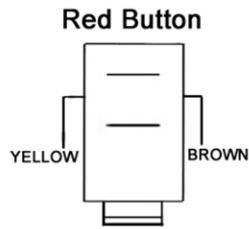
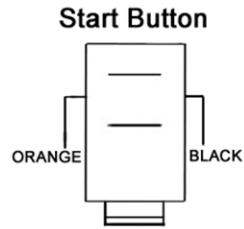
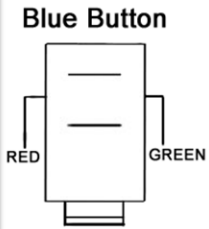


Start Button

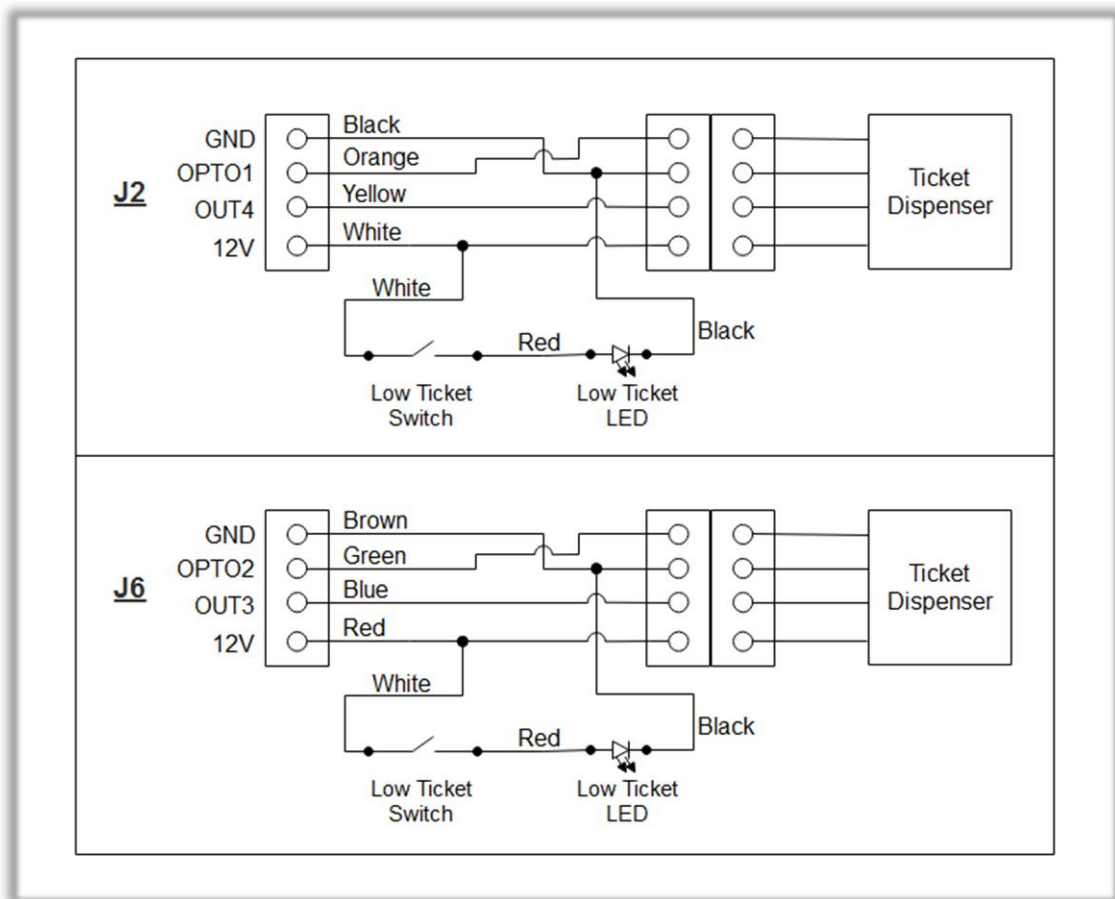
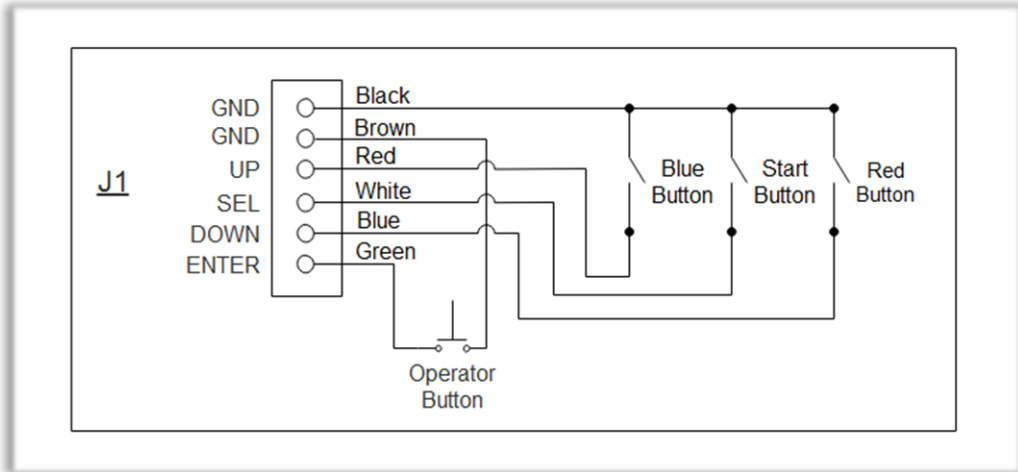


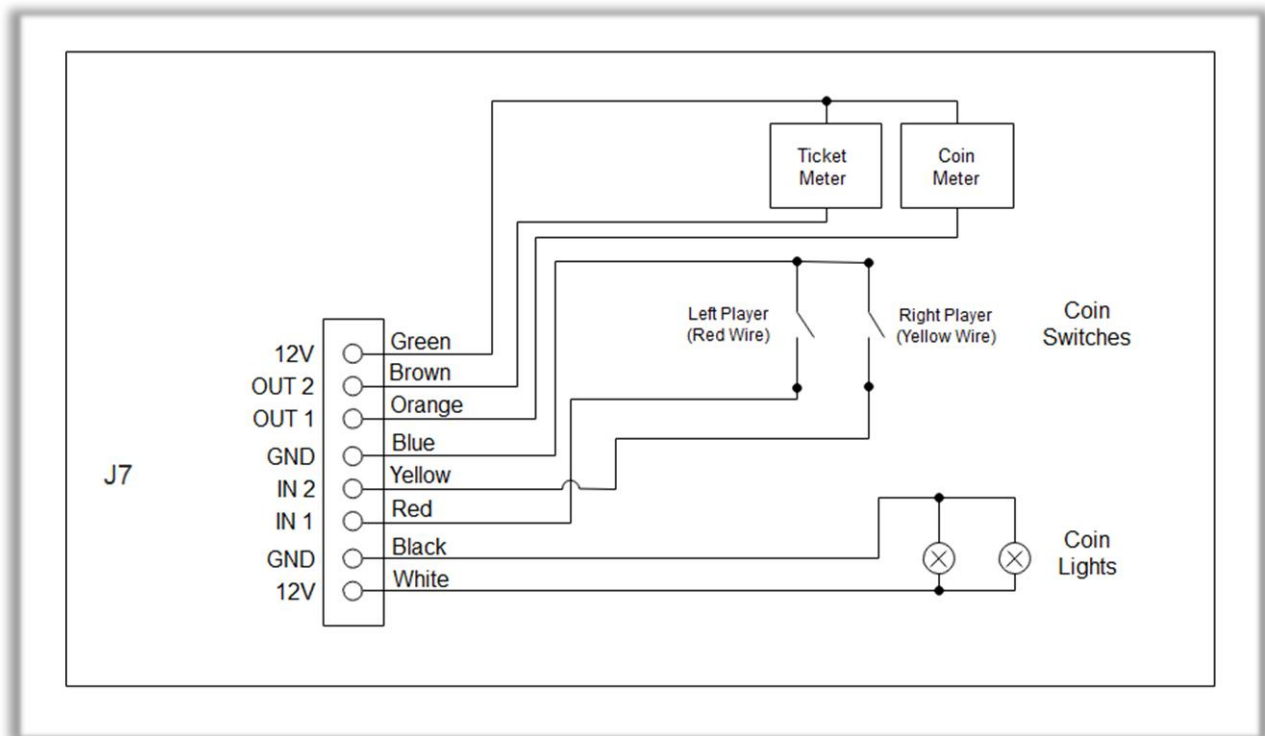
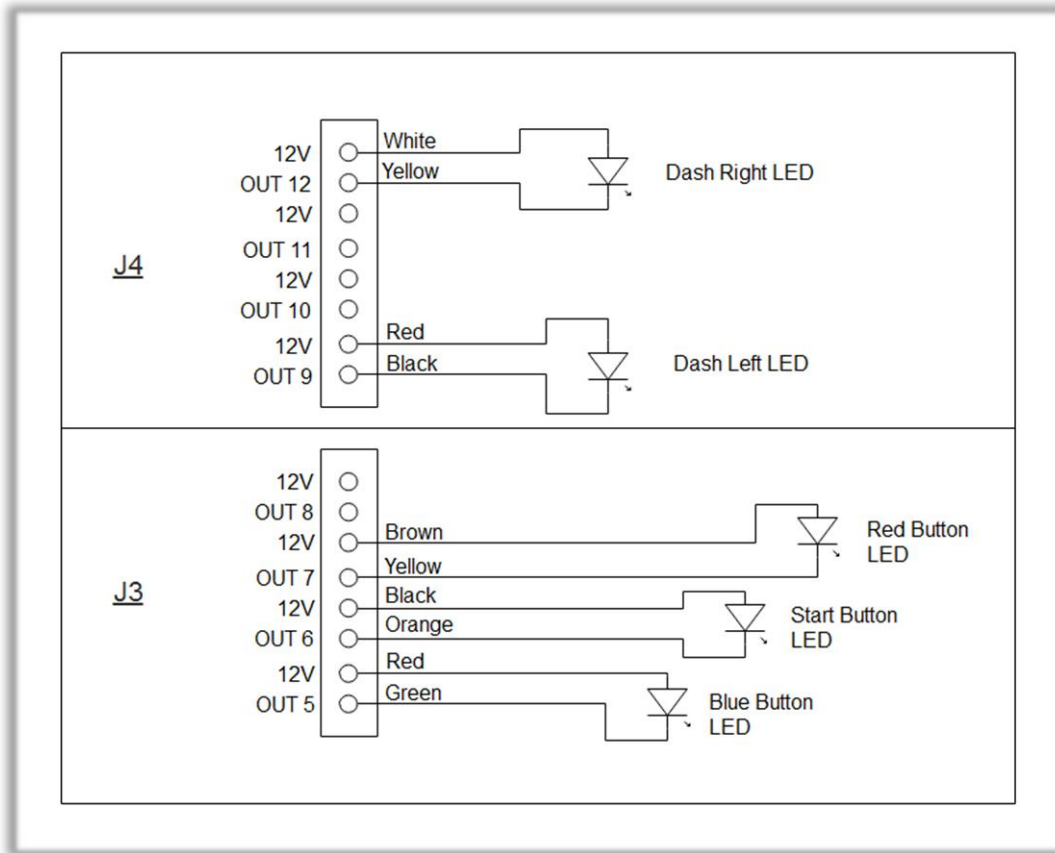
Red Button

IO Board J3 connector

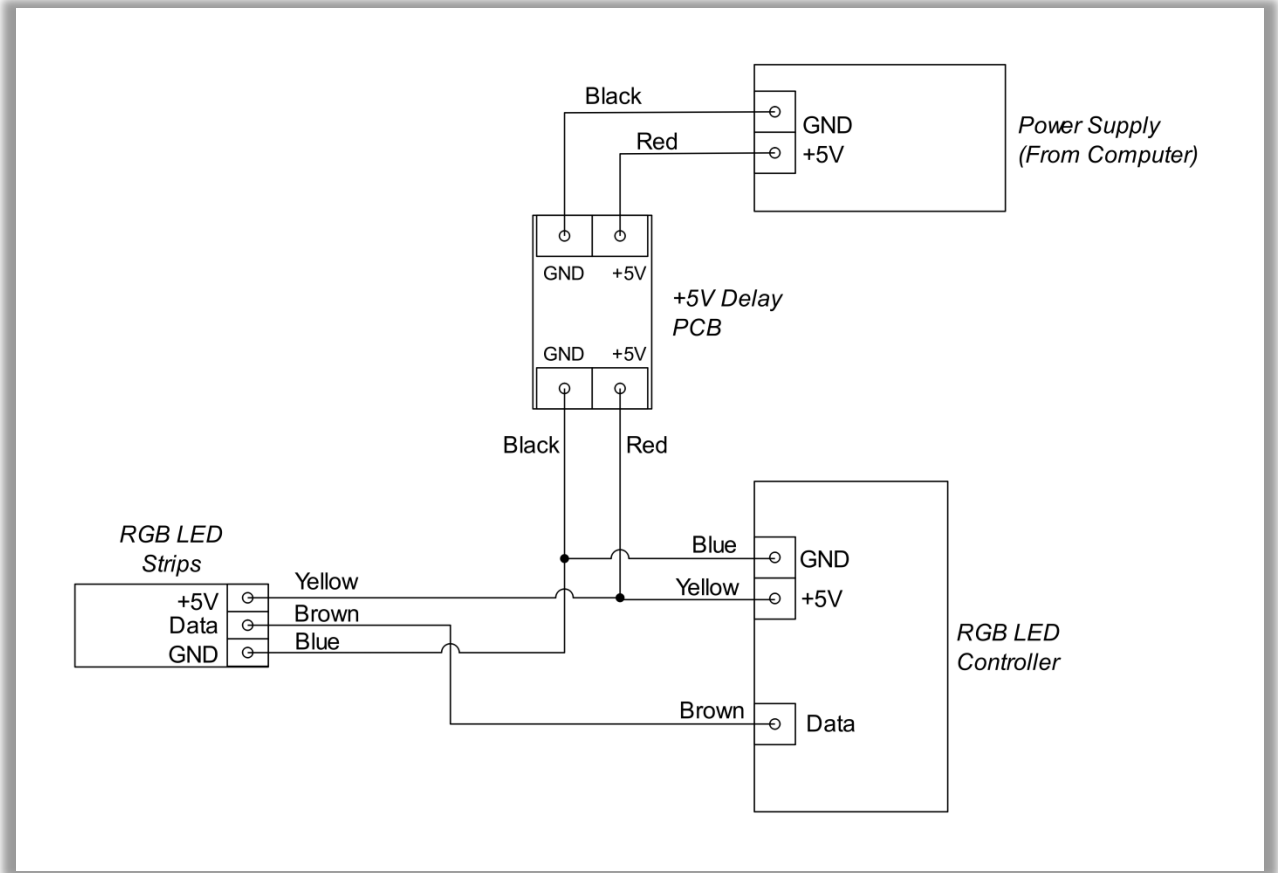


I/O Board Wiring

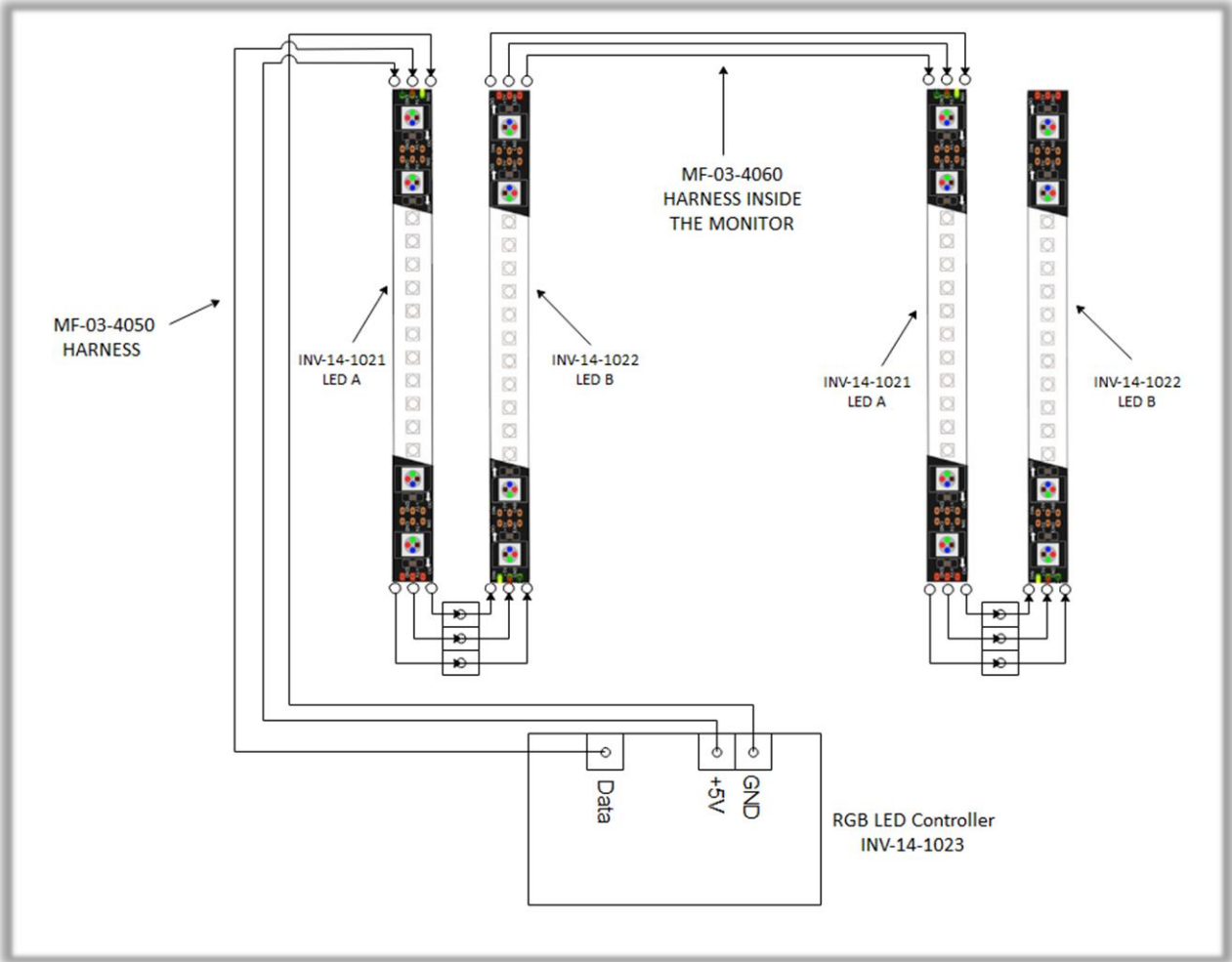




RGB LED Controller Power Wiring Diagram



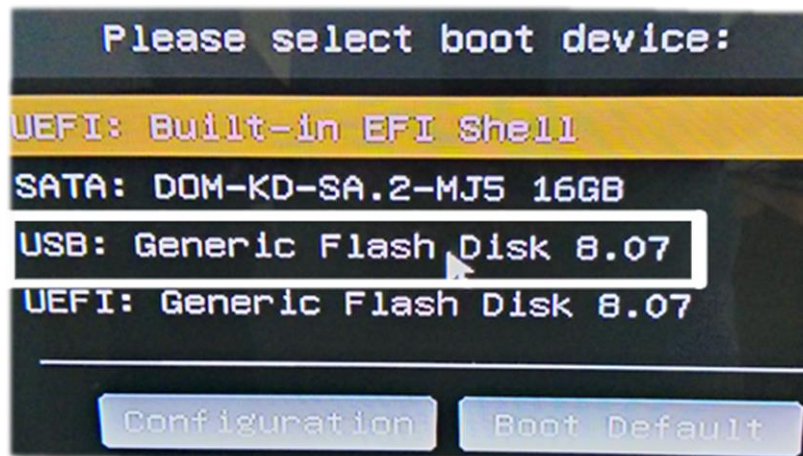
RGB LED Wiring Diagram



Chapter 09 – Software Recovery

If your unit software needs to be restored please follow those instructions.

- Connect a USB keyboard to the motherboard.
- Verify that the USB Recovery flash disk is in a **Black** USB port.
- Power on the unit.
- Press F11 on your keyboard when the AsRock splash screen is displayed to enter the boot menu.
- Choose USB: and press Enter.

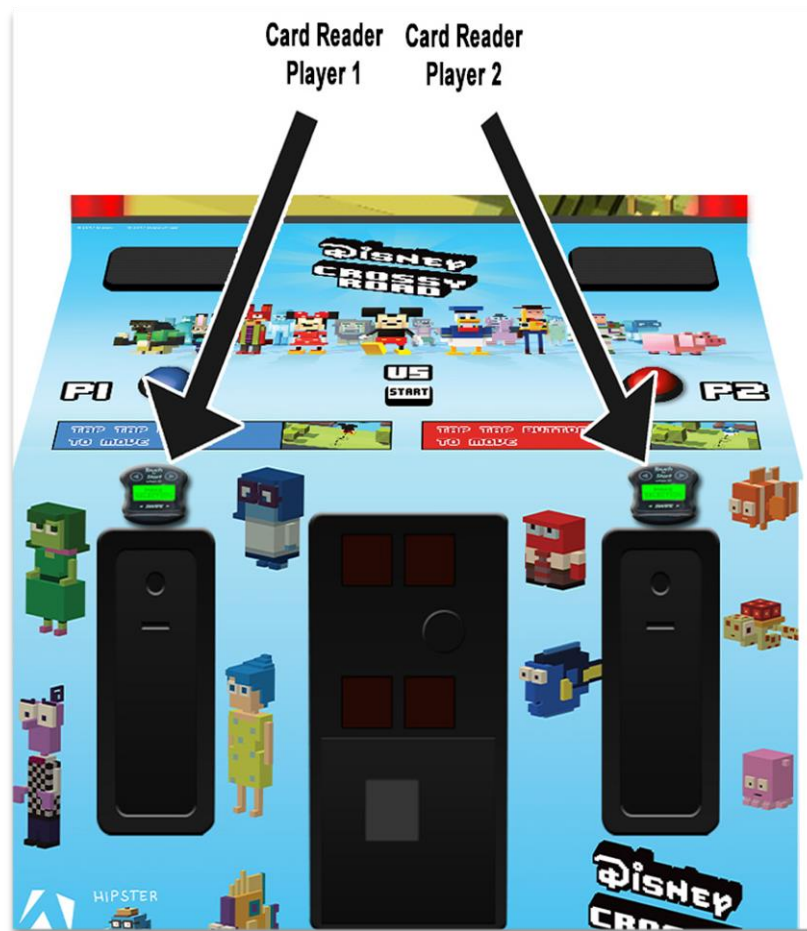


The process takes 25-30minutes and the unit will reboot back in the game at the end. The Wireless credentials will need to be re-entered and Operator settings will be back at the default ones.

Chapter 10 – Card Reader


If you use a card reader system, it is important to follow those instructions.

You need to install 2 card readers, one for each player. Install them above each ticket doors. Configure your Operator settings as seen on page 14-15.

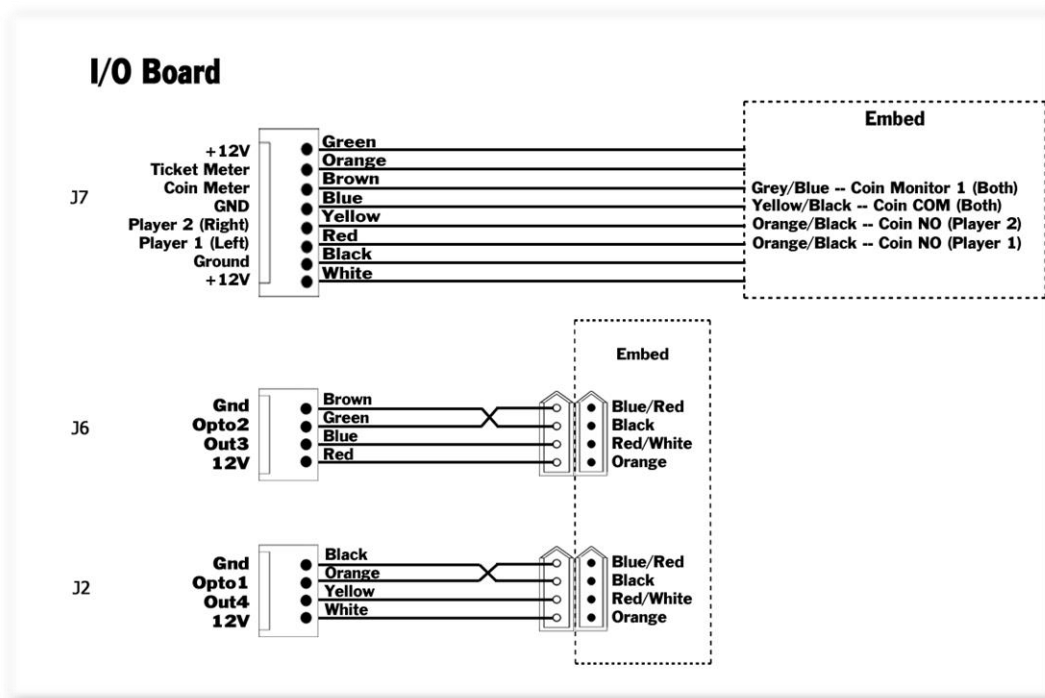


Embed System

If you are using an Embed system, you need to connect your harnesses to Adrenaline Amusements I/O board & harnesses. You should refer to the Embed instructions manual for wiring pin-out but here's Embed V5 example:



Pin	Wire Color	Signal	I/O	Pin	Wire Color	Signal	I/O
1	Orange	12 VDC	I	2	Orange	12 VDC	I
3	Black	Ground	O	4	Black	Ground	O
5				6			
7	Orange/Black	Coin NO	O	8	Yellow/Black	Coin COM	O
9	Grey/Blue	Coin Monitor 1	I	10	Grey/Black	Coin Monitor 2	I
11	Blue/Red	Game Notch 1	O	12			
13	Blue	Ticket Notch 1	I	14			
15	White	Ticket Drive 1	O	16			
17	White/Red	Game Drive 1	I	18			



The Embed settings are Standard except:

-Ticket Mech Type: Dumb DC

-Drive Polarity: Positive

-Notch Polarity: Negative

-Game ticket notch width = 10

-Game ticket notch spacing = 15

-Game Drive Threshold = 1.5V

-Notch Pulse = 60ms

-Ticket Space = 240ms

-Drive Debounce = 40ms



Limited Warranty Policies

Customers must provide the unit serial number when claiming any warranty request.

Adrenaline Amusements (AAGames) warrants this Arcade unit (Including accessories) against defects in material or workmanship as follows:

This unit has 1 year warranty against defective hardware from date of delivery.

Other than abuse or improper servicing, Adrenaline Amusements covers at no charge the replacement parts including standard shipping.

Customers have 30 days from delivery date to return back the defective equipment at their fees or they will be billed automatically.

Improper servicing or abuse will VOID existing warranties.

All warranty request needs to be validate with our technical support department.

After the 1 year warranty, Adrenaline Amusements offers repairs & sales services options. Please contact the technical support department for information.

Adrenaline Amusements
1150 rue Levis, Suite 302
Terrebonne, QC
J6W5S6 Canada
+1.450.824.1671