

March 28th 2019

## Service note – Repair kit for your 65 inch monitor

Here is a kit to help you to repair your 65 inch monitor.

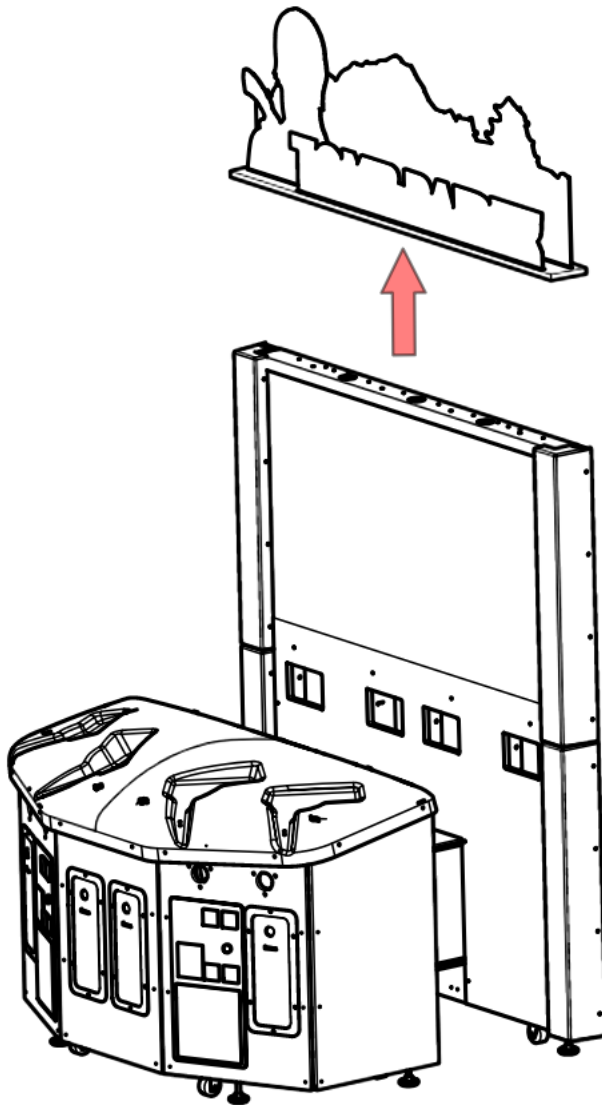
### **What is included:**

- 4 suction cups
- neoprene foam
- black tape

### **How to remove your monitor from the cabinet**

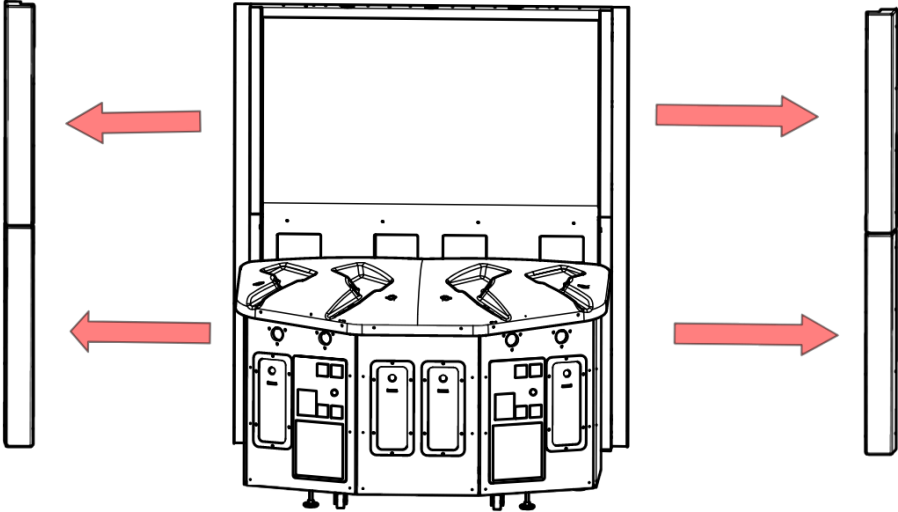
The following parts have to be removed by unscrewing their fasteners

- 1) Remove the header

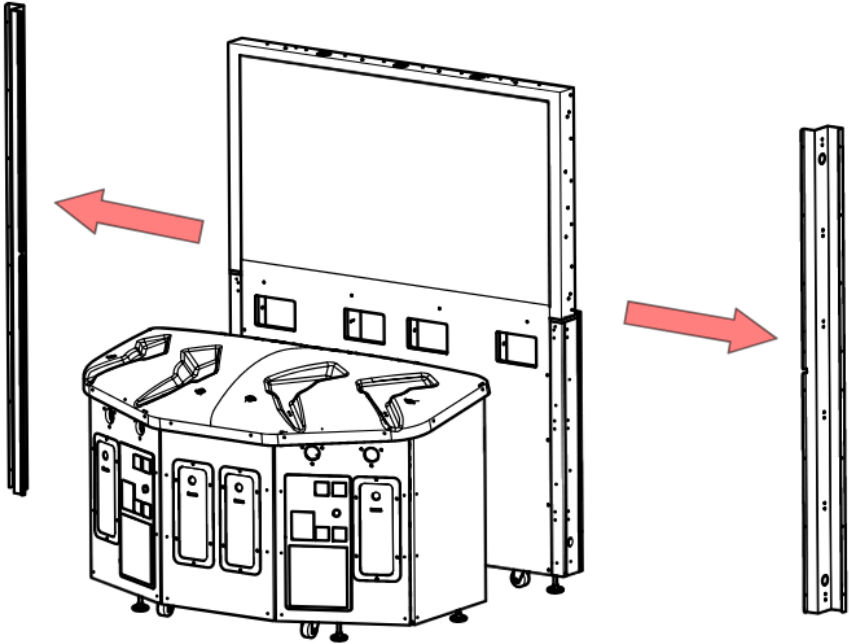


March 28th 2019

2) Remove the LED plastic covers



3) Remove the metal frames

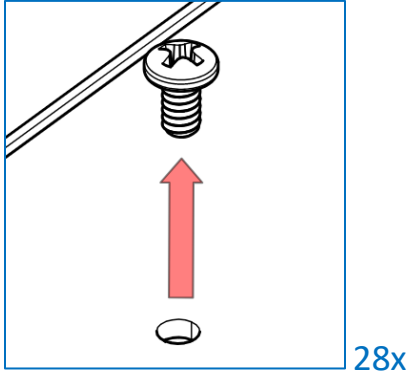
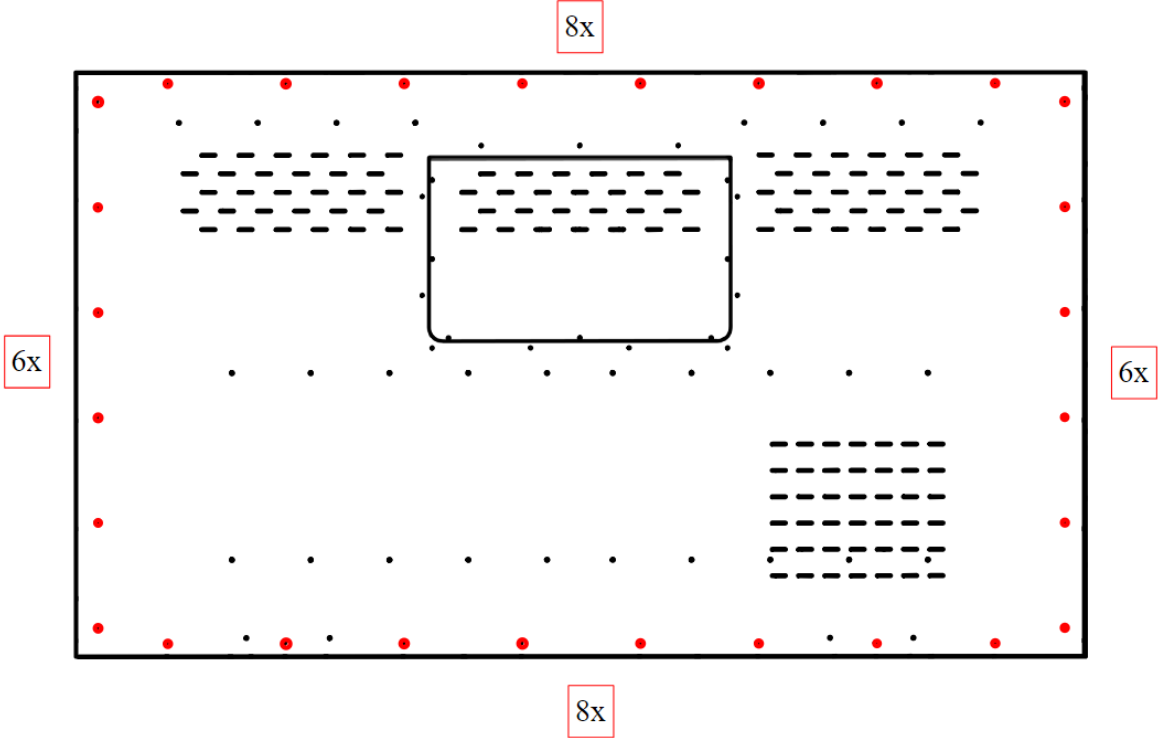


Your monitor is now removable

March 28th 2019

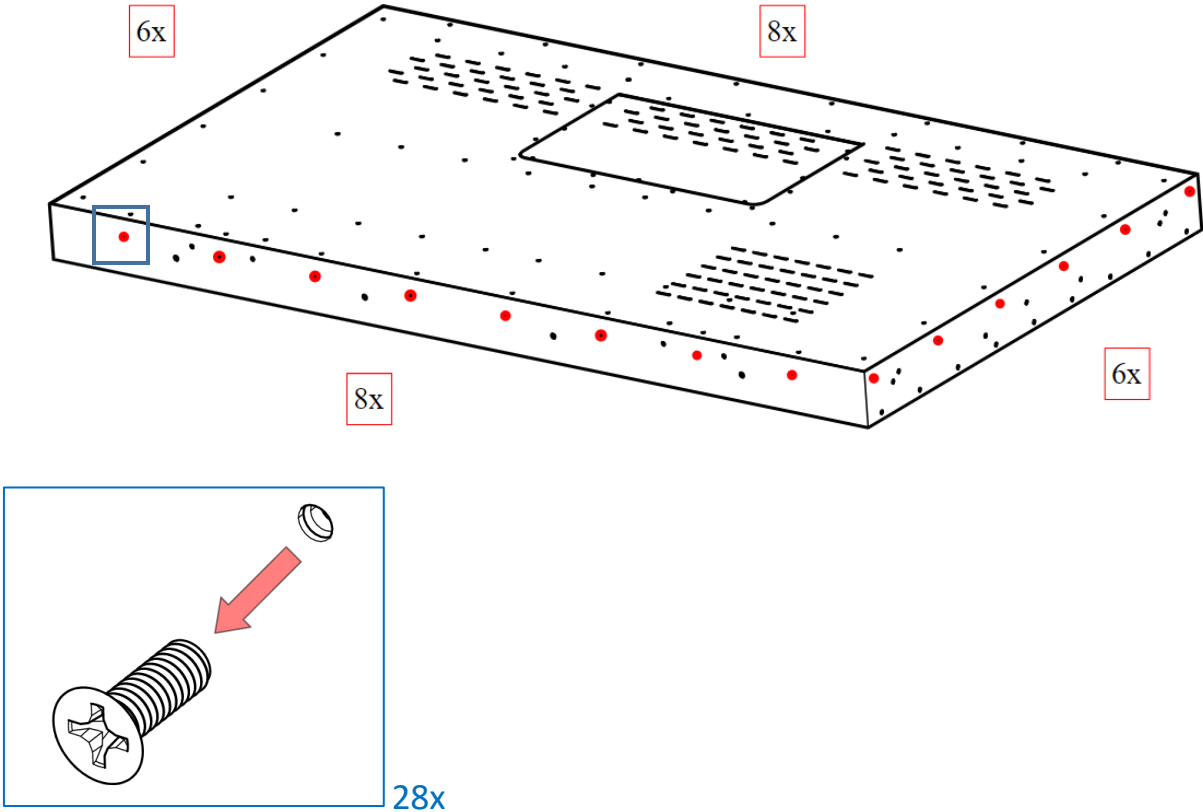
### How to repair your monitor

- 1) Place the monitor face down. Unscrew the 28 Philipps pan head screws and washers located near the perimeter.

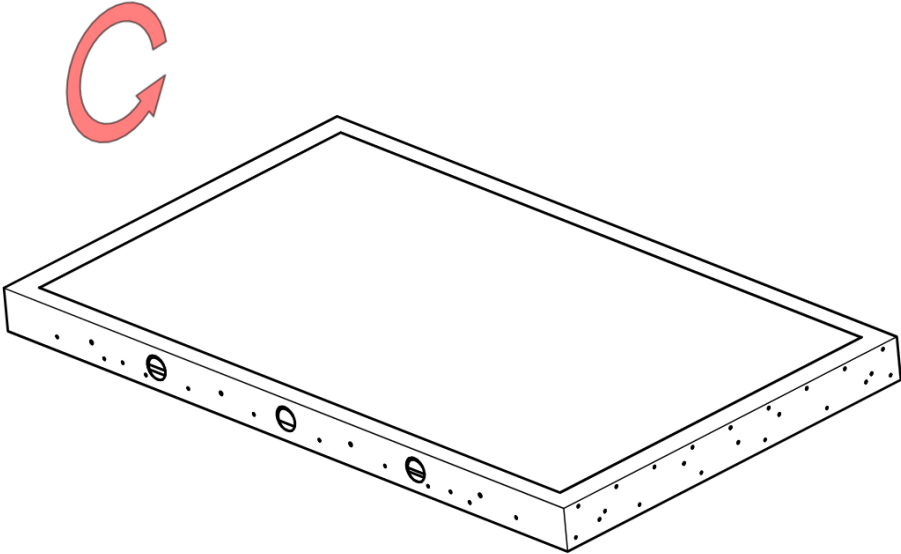


March 28th 2019

2) Unscrew the 28 Philips flat head screws located on the sides, near the back face of the monitor

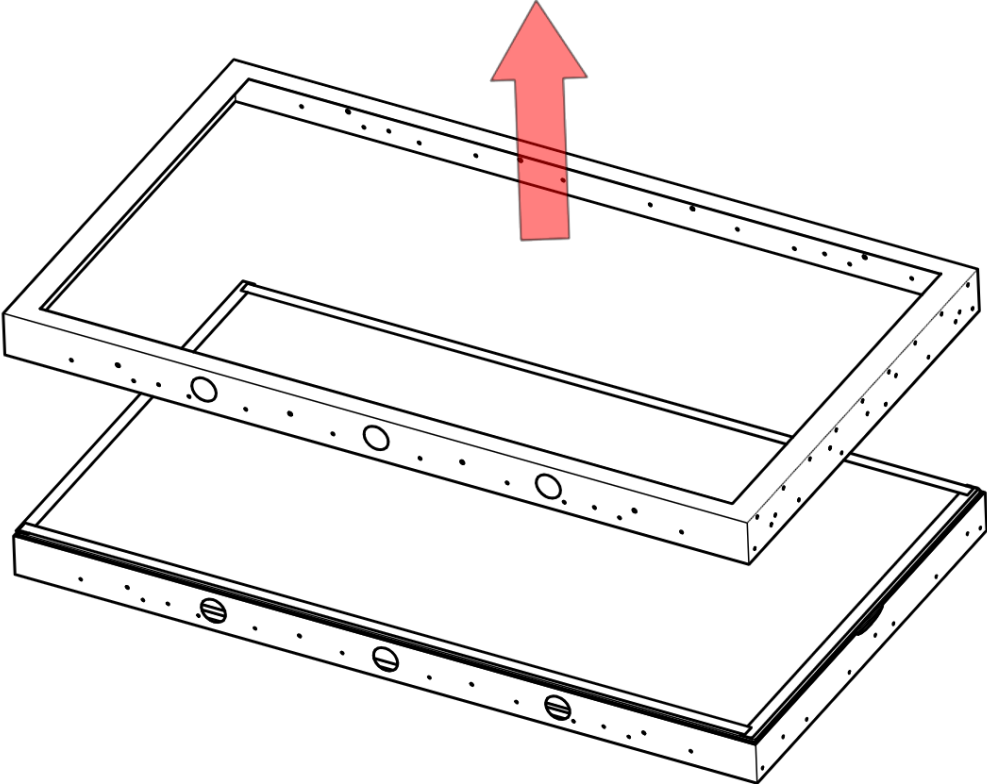


3) Flip the monitor in order to have the screen facing up

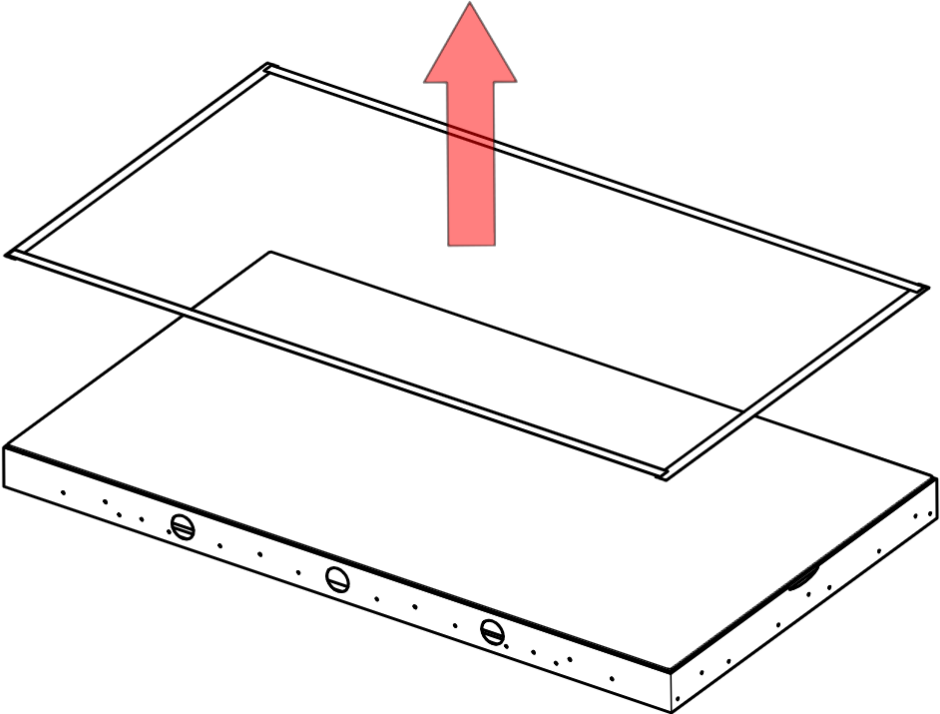


March 28th 2019

4) Remove the frame by pulling it upwards

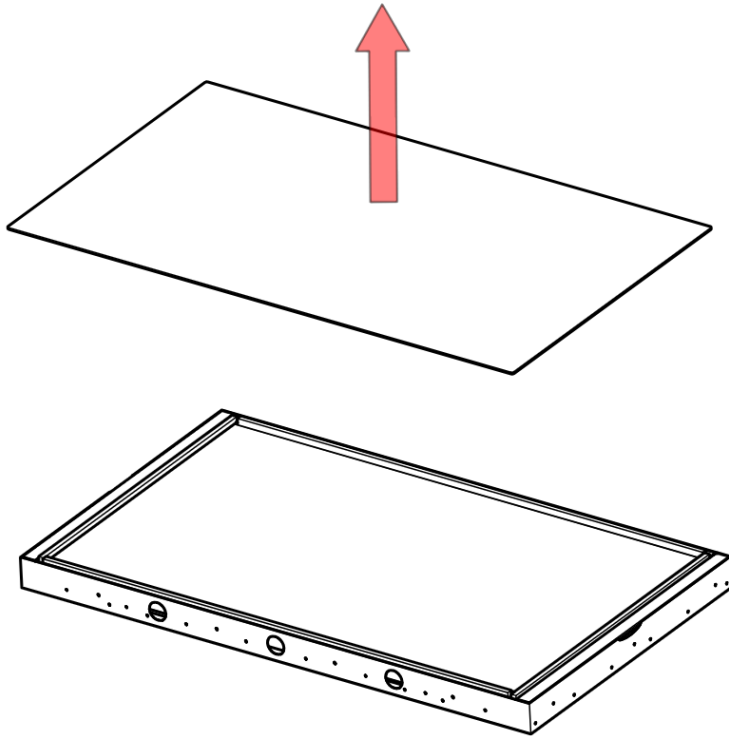


5) Remove the layer of tape located on the perimeter of the screen

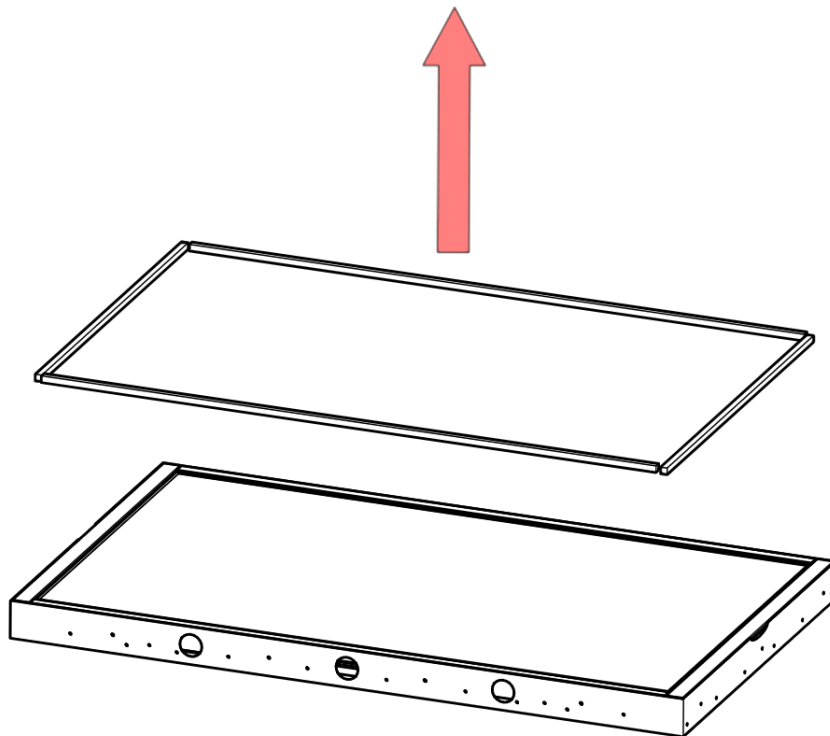


March 28th 2019

- 6) In a **dust-free environment**, remove the screen using the provided suction cups

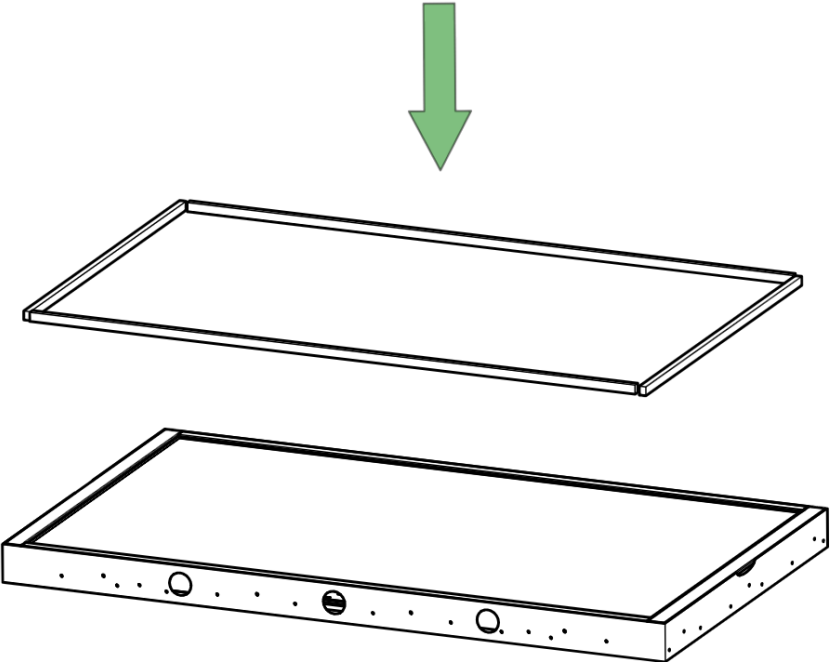


- 7) Remove the neoprene foam from the monitor

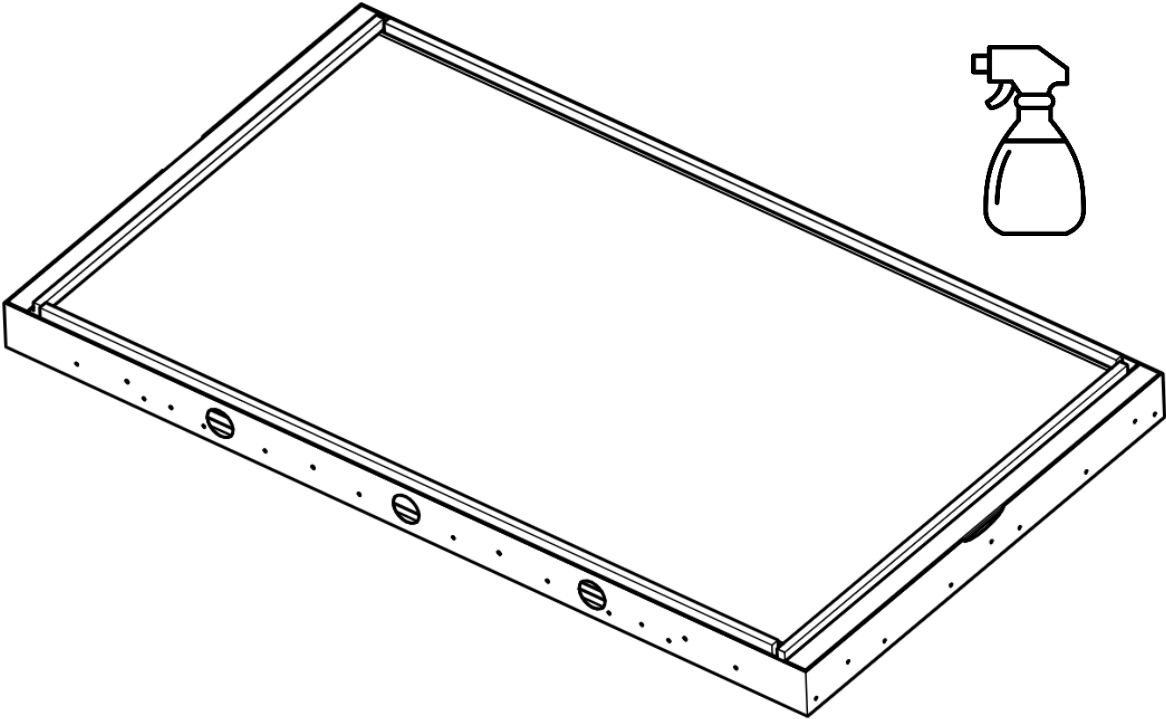


March 28th 2019

8) Install the newly provided thicker neoprene foam on the monitor

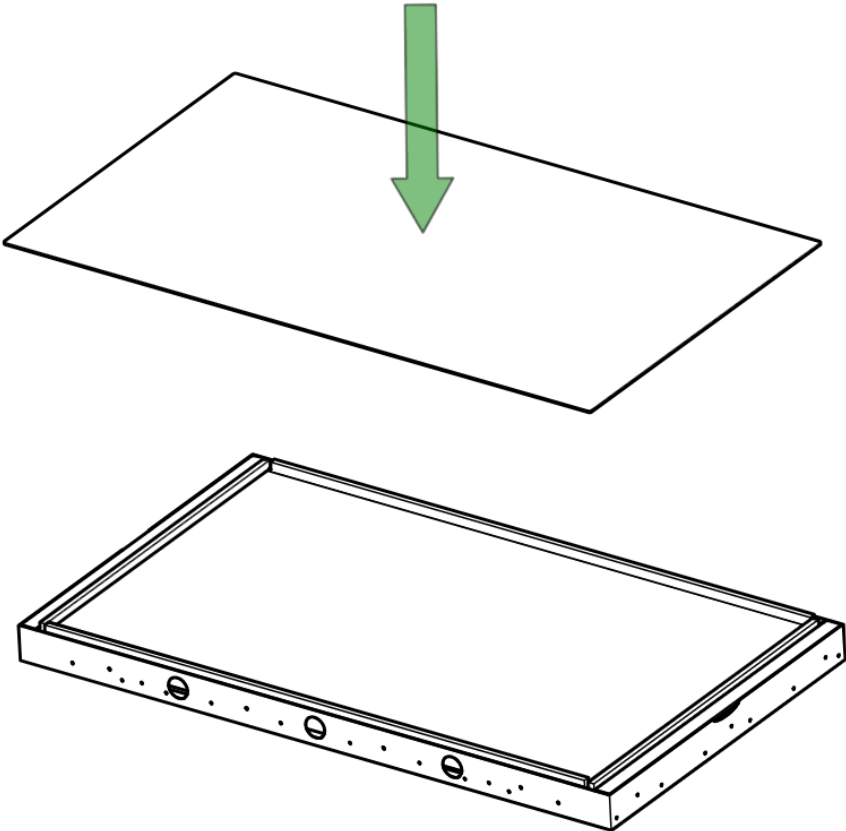


9) Clean the glass surface using an anti-static solution and a microfiber towel

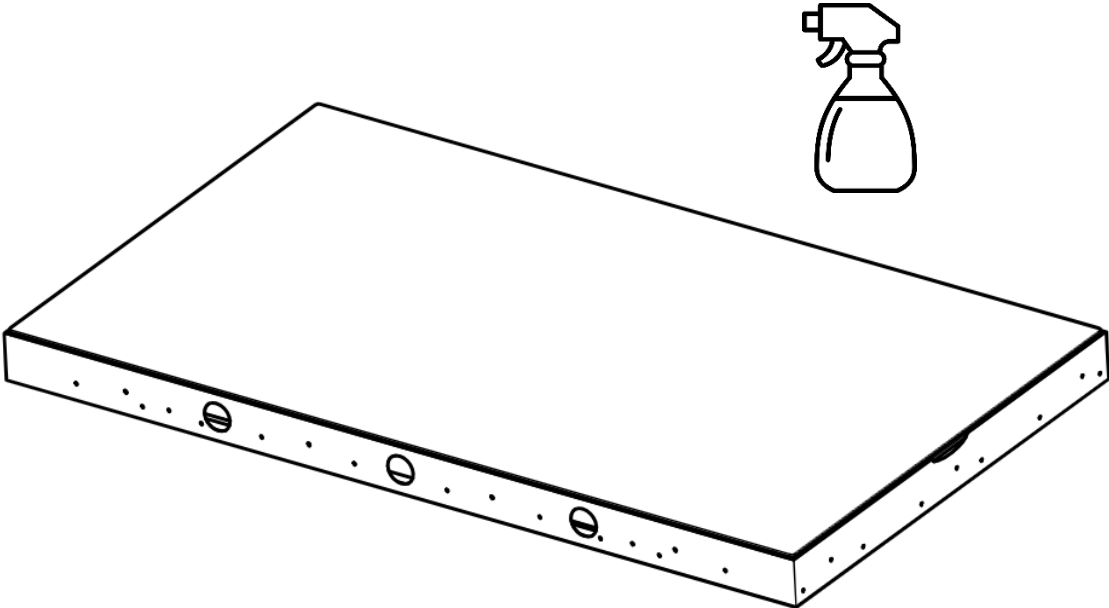


March 28th 2019

10) Reinstall the screen with the provided suction cups



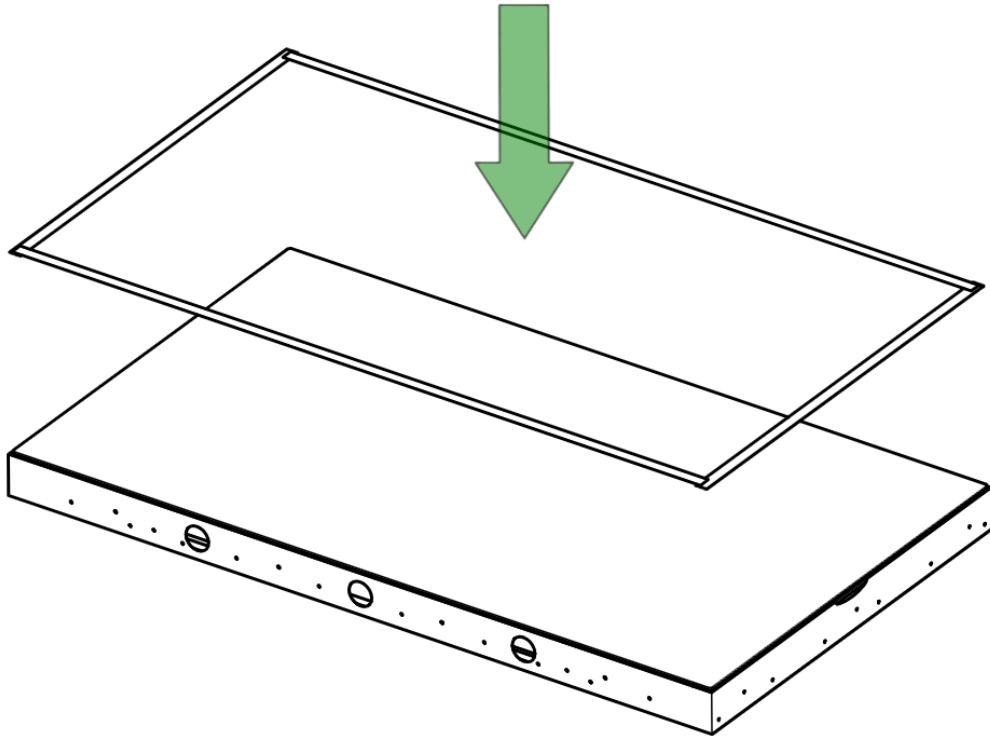
11) Clean the screen's surface using an anti-static solution and a microfiber towel



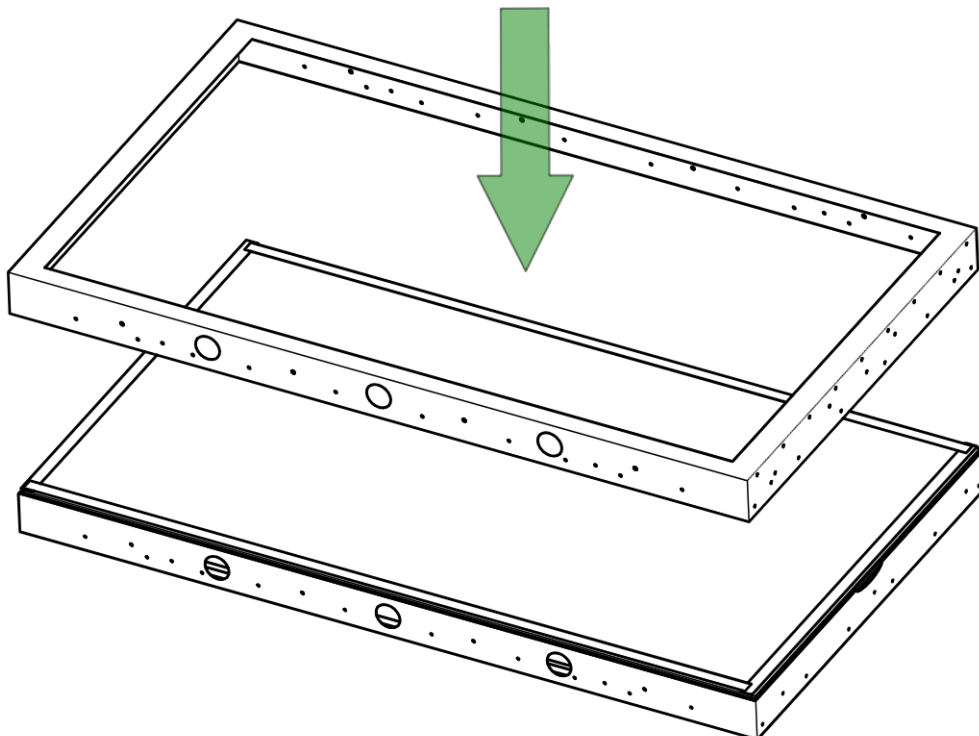


March 28th 2019

- 12) Install the provided tape on all the perimeter of the screen.  
Make sure that the tape covers all edges

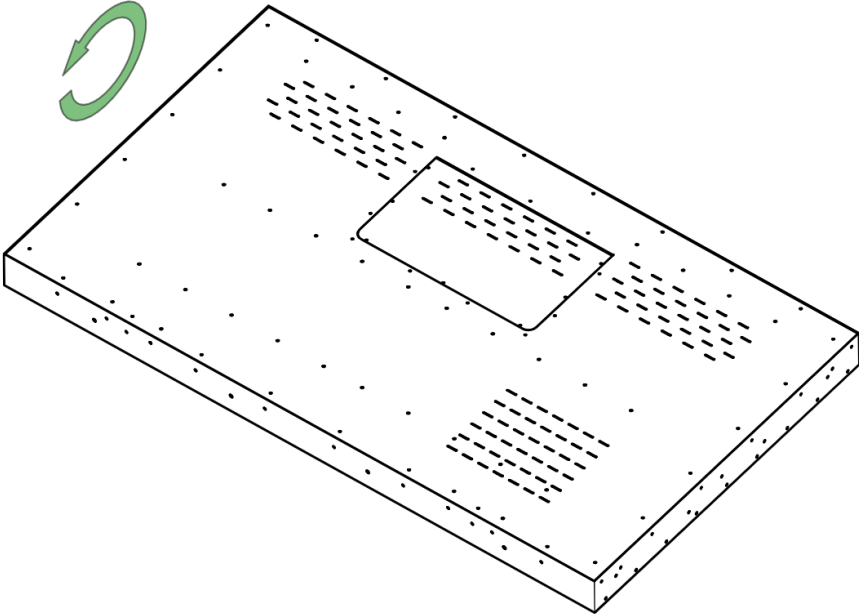


- 13) Reinstall the frame on the screen

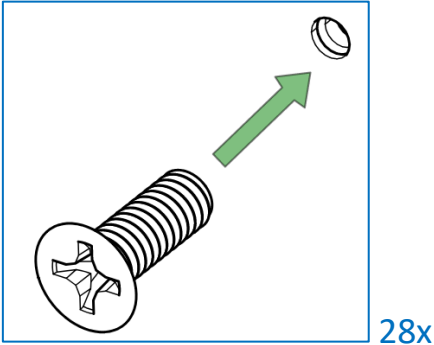
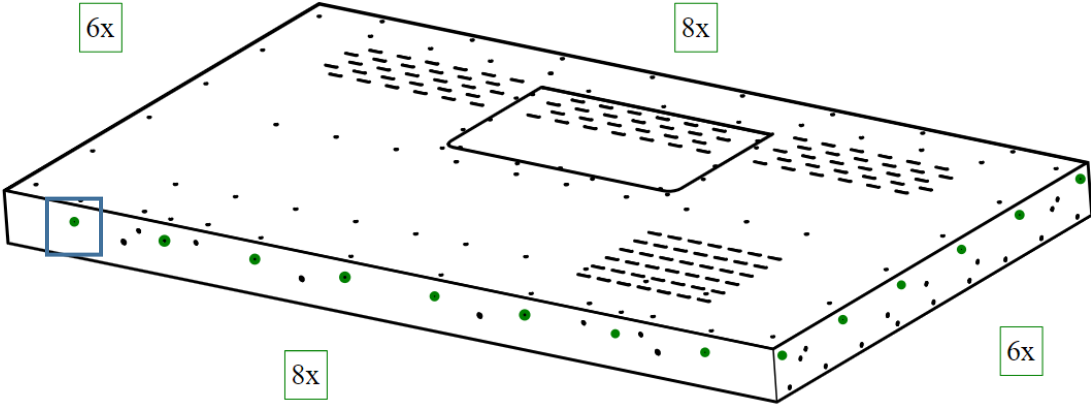


March 28th 2019

14) Flip the monitor to place the screen on the table

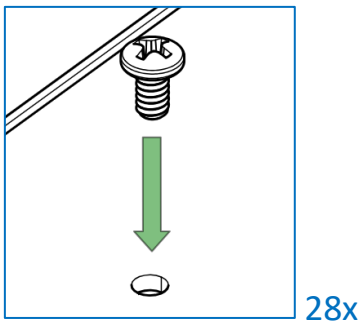
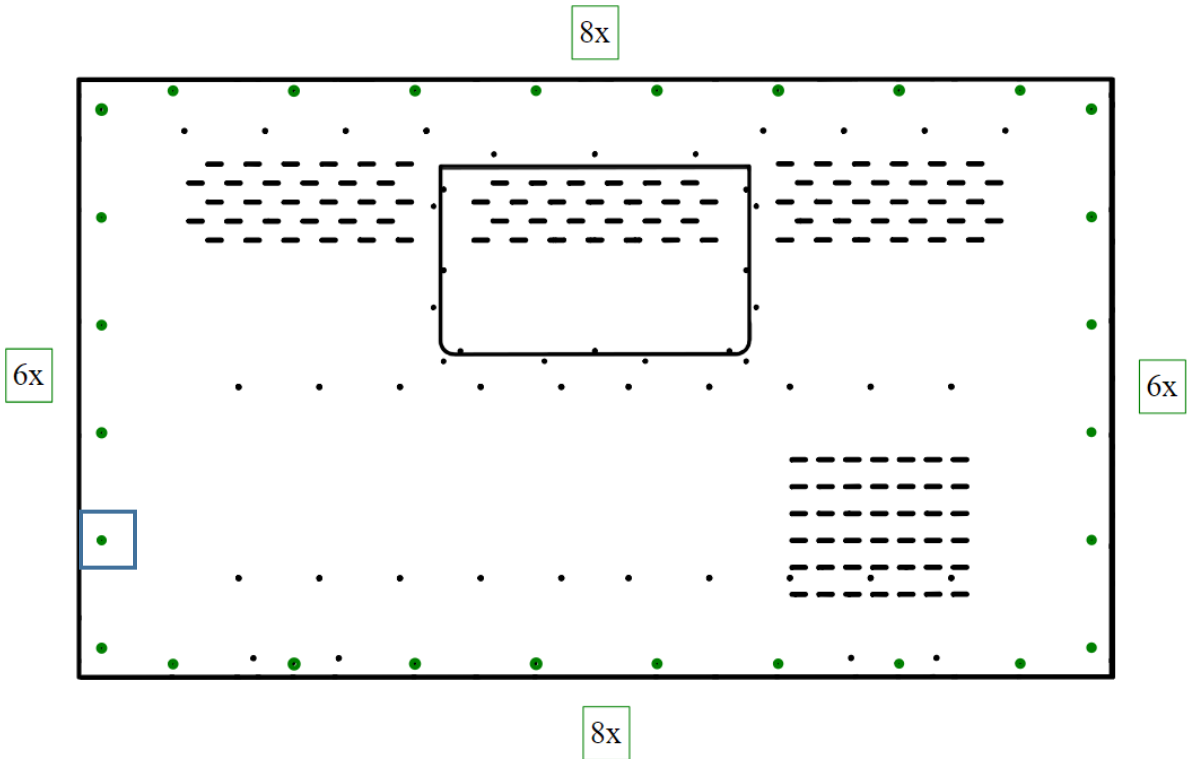


15) Screw the 28 Philipps flat head screws located on the sides near the back face of the monitor



March 28th 2019

16) Screw the 28 Philipps pan head screws located near the perimeter



If you have any questions contact us at [support@aagames.com](mailto:support@aagames.com)

Thank you,  
Adrenaline Amusements Support Team