

# DUO DRIVE



Be Sure  
to Read this  
Manual  
Before Use

# Operation Manual

**UNIS**<sup>®</sup>  
UNIVERSAL SPACE

[www.universal-space.com](http://www.universal-space.com)

# CONTENT

IMPORTANT SAFETY INSTRUCTIONS.....	2
1. SPECIFICATIONS.....	4
2. PACKAGE CONTENTS.....	5
3. PART NAME.....	6
4. SET UP & INSTALLATION.....	7
5. HOW TO PLAY.....	11
6. GAME OPTION.....	11
7. ERROR MESSAGE AND RECOVERY.....	14
8. MAINTENANCE & INSPECTION.....	17
9. OVERALL CONSTRUCTION.....	18

Non-technical personnel who do not have technical knowledge and Expertise should refrain from performing such work that this manual require or perform tasks which are not explained in this manual. Failing to comply can cause severe accidents such as electric shock or other serious injuries. All repairs must be performed to original manufacturer specifications.

**WARNING:** To reduce the risk of fire, electric shock or personal injury, unplug or disconnect the machine from the power supply before servicing.



Thank you for purchasing **DUO DRIVE**. We hope you enjoy the product.

This manual contains valuable information about how to operate and maintain your game machine properly and safely. It is intended for the owner and/or personnel in charge of product operation. Carefully read and understand the instructions.

If you need any help during installation and setup please utilize this manual and troubleshooting guide. If the product fails to function properly, *non-technical personnel should under no circumstance attempt to service the machine*. Contact your distributor or manufacturer for help.

Before use, please read **IMPORTANT SAFETY INSTRUCTIONS**.

## **IMPORTANT SAFETY INSTRUCTIONS**

**To ensure the safe usage of this product, carefully read and understand these instructions before operating your game.**

**Save these instructions for future reference.**

Use this product only as described in this manual. Other uses not recommended may cause fire, electric shock or personal injury. Unplug the game from the outlet when not in use, when moving from one location to another, and before cleaning/servicing.

Explanations which require special attention are indicated by signs of warning. Depending on the potential hazardous degree, the terms: **NOTE**, **NOTICE**, and **WARNING** are used.

**NOTE:** A NOTE indicates useful hints or information about product usage.

**NOTICE:** A NOTICE indicates potential damage to product and how to avoid the problem.

**WARNING:** A WARNING indicates a potential for product damage or serious personal injury.

It is important to understand the meaning of the following **HAZARD SIGNS** before continuing:

### **High Voltage and Shock Hazard:**

High voltage can cause electric shock.

Turn off/unplug power before servicing.



### **High Temperature Hazard:**

This part may cause scalding.

Do not touch. Surface may be hot.



### **No Touching Hazard:**

This part may be hot or can cause electric shock.

Do not touch.



Use the following safety guidelines to help ensure your own personal safety and to help protect your equipment and surrounding environment from potential damage.



**This product is an indoor game machine. Do not install outdoors.**

**Avoid installing in the following places to prevent fire, electric shock, injury and/or machine malfunctioning:**

- Places subject to rain/moisture, or places subject to high humidity.
- Places subject to direct sunlight, or places subject to extremely hot or cold temperatures to ensure that it is used within the specified operating range.
- Places where inflammable gas may be present or in the vicinity of highly inflammable/volatile chemicals or items that can easily catch fire
- On unstable or sloped surfaces. The machine may topple or cause unforeseen accidents.
- Vicinity of fire exits, fire extinguishers etc that may block/prevent safety measures

**IMPORTANT NOTE:**

**ALL REPAIRS MUST BE DONE TO ORIGINAL MANUFACTURER SPECIFICATIONS.**

**FAILURE TO DO SO VOID ALL WARRANTIES AND OPERATOR ASSUMES ALL RISKS.**

**Note: The contents of this manual may be updated without notice.**

# 1. SPECIFICATIONS


Rated power supply: AC110V 50/60Hz

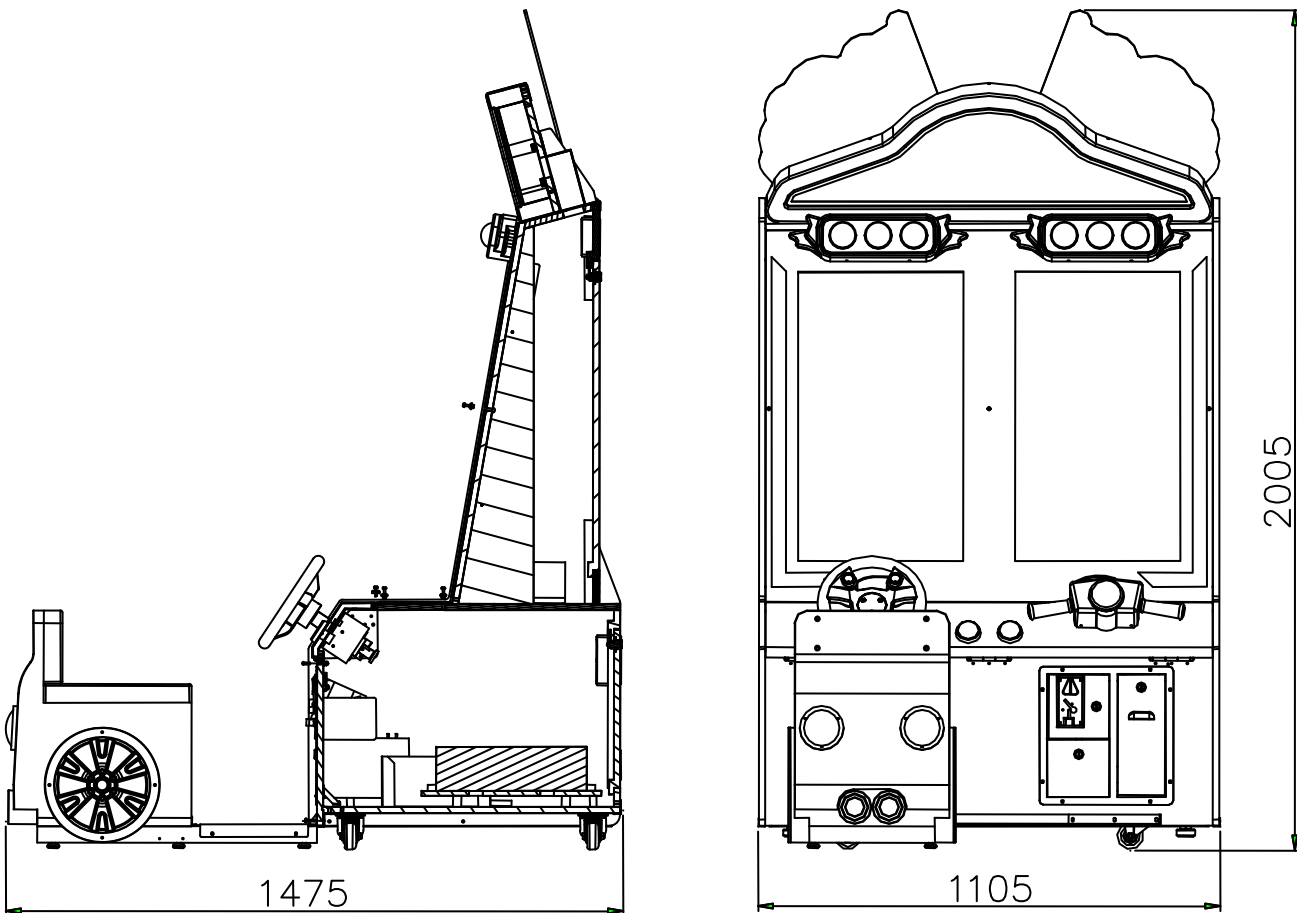
Min. Power consumption: 320W

Max. Power consumption: 360W

Dimensions: W1105×D1475×H2005 (mm)

Weight: Approximately 220kg

 **NOTICE:** After turning off the game, please wait at least 1 minute before restarting again.



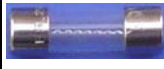


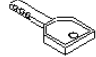



**Note:** Game parameters are subject to change without notice.

## 2. PACKAGE CONTENTS

Open the package and make sure all the items are included:

- 1 x Body Assembly
- Following accessories

NO.	Part NO.	Code No.	Name	Spec.	Qty	Illustration
1	D120-801-000		Manual	English	1	
2	D120-802-000	21901000012	Fuse	Φ5×20mm T5A 250VAC	1	
3	D120-803-000	21901000013	Fuse	Φ5×20mm T5A 125VAC	1	
4	D120-804-000	23301050002	Power cable	3×0.75mm 0.5m	1	
5	D120-805-000	25300171001	Key	171	4	
6	D120-806-000	25300172001	Key	171B	1	
7	D120-807-000	22501000030	Potentiometer	RVQ24YN03 25F B502	1	
8	D120-808-000	20101000007	Inner hexagon screw	M4*20 (black)	5	
9	D120-809-000	40607000013	Inner hexagon spanner	2.5mm	1	
10	D120-810-000	40607000014	Inner hexagon spanner	3mm	1	
11	D120-811-000	40607000001	Inner hexagon spanner	4mm	1	

If any items are found to be missing, please contact your sales representative for help immediately.

**NOTE:** Part models are subject to change without notice.



### 3. PART NAME



## 4. SET UP & INSTALLATION

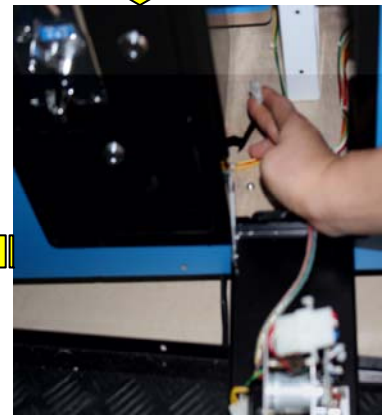
### 4-1 Cabinet Installation



1. Use the key to open the right ticket door.



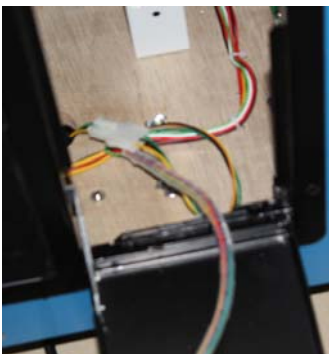
2. Fine the cable from the base at the right corner.



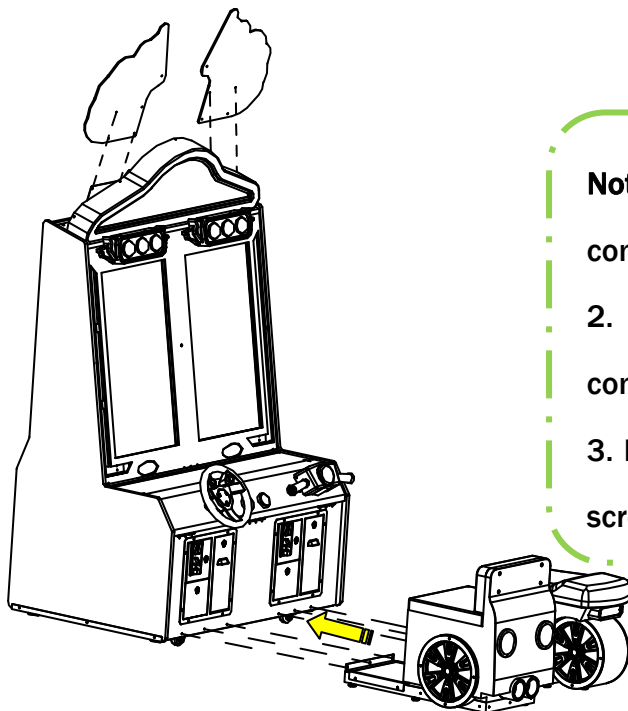
3. Pull the cable through the small hole of the main cabinet at the bottom.



4. Connect the cable.



5. Installation is finished.



**Note:** 1. According to the above instructions to connect the L&R POP board to the main cabinet  
 2. According to the above instructions to connect the seat assembly to the main cabinet.  
 3. Fasten two parts with 5 hexagon round head screws (M4X20).





**This product is an indoor game machine. Do not install outdoors.**

- Refer to IMPORTANT SAFETY INSTRUCTIONS (Pg. 2) for places to avoid
- Place the unit on a dry level surface
- Ventilation openings in the back of the unit must not be obstructed by objects or by wall.

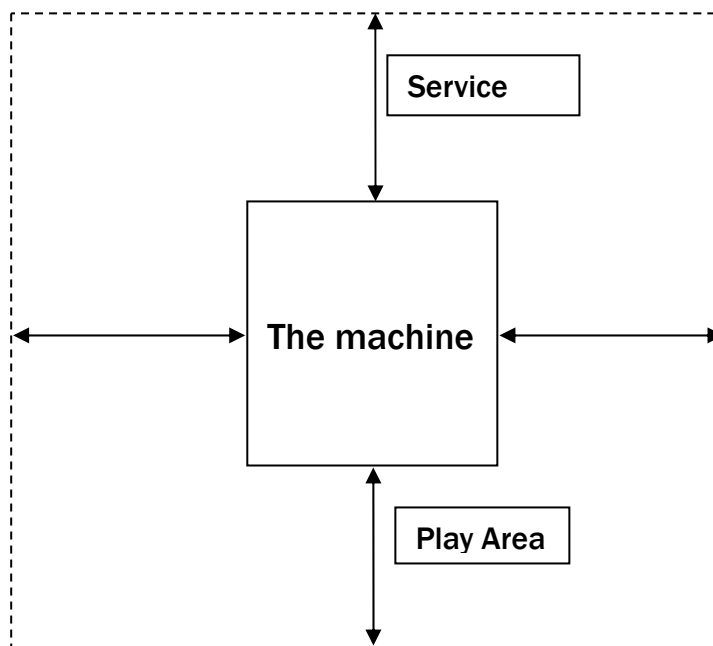
#### 4.2 Play Zone

This machine requires space for playing and for maintenance as shown below.

Leave space around the game upon installation:

Service Area: 50cm

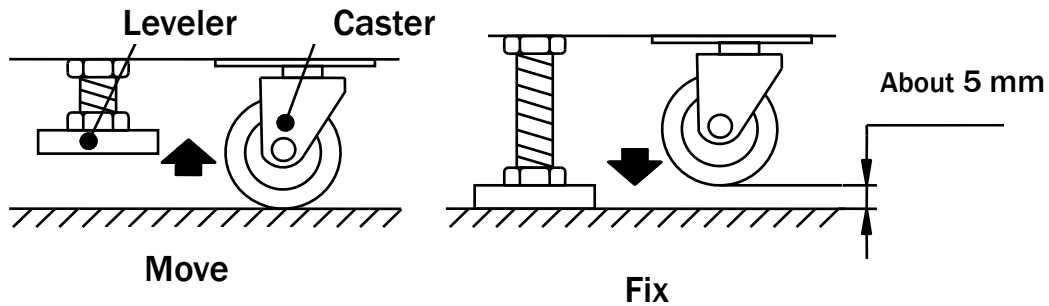
Play Area: 50cm



### 4.3 Level Adjustment

Install this machine on a flat surface. Adjust levers to lift casters off the ground to level the game. If the game is installed on an unsuitable floor, it could cause game malfunction.

To secure the game, adjust the Leveler down until it touches the floor, lifting the casters off the ground by 5mm. Repeat the same for all levelers.

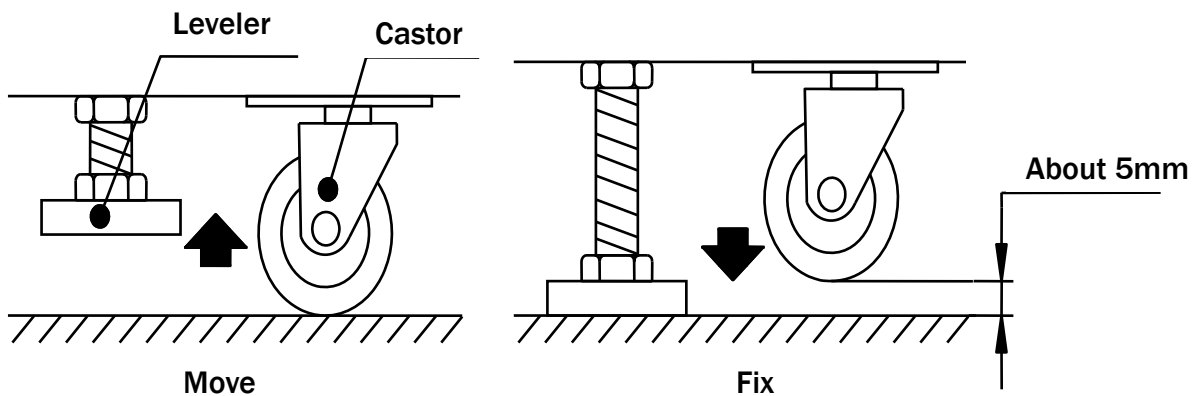


#### NOTICE

Make sure the machine is level with the ground and all the adjustable legs should stick to the floor closely.

### 4.4 Transporting the Machine

If you need to move the game, adjust the levelers back to an “up” position so the casters touch the ground.



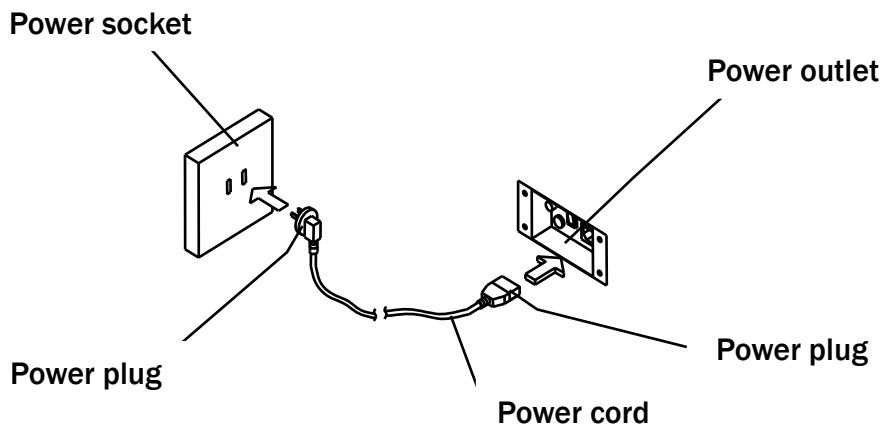
#### NOTICE

- Be careful not to damage the machine during transport.
- The machine should be handled with care when bringing it down from a higher level.
- Always unplug the game before moving.
- Keep the machine in upright position during transport.
- For longer distance transport, package the game properly to prevent damages.

## 4.5 Connecting Power

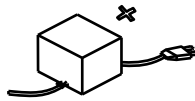
**! WARNING:** Check the voltage rating before you connect the equipment to an electrical outlet to ensure that the required voltage and frequency match the available power source. Please refer the label of the machine.

- Do not plug the equipment power cables into an electrical outlet if the power cable is damaged.
- Avoid putting many loads on one electrical outlet as it could generate heat and fire resulting from overload.
- Connect the grounding conductor to the earth terminal (GND):

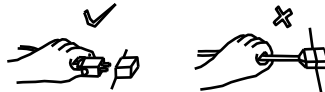


### WARNING

Ensure no heavy objects rest on the power cord. Check to make sure the game cabinet does not sit on the power cord as this could damage the cord and become hazardous.



To disconnect the game, grip the plug and pull it from the wall outlet. Never pull by the cord.



To prevent electric shock, do not touch the power plug when hand is wet.



Ensure that nothing rests on the power cord and that it is not located where it can be stepped on or tripped over.



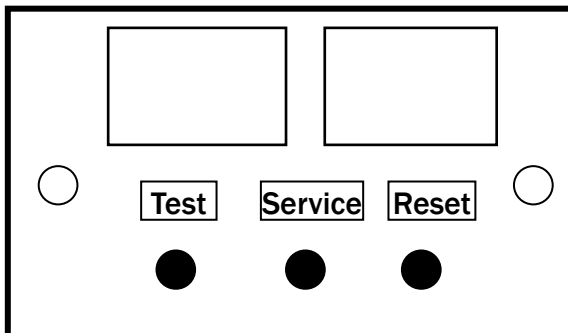
## 5. HOW TO PLAY



1. Insert coin(s) to start.
2. Select 1 player or 2 players.
3. Use the steering wheel to dodge obstacles and pick up special props.

## 6. GAME OPTION

### 6.1 Adjustment button instruction



Open the coin door there is a meter panel. Press test button to get into the setting menu.

### 6.2 Setting menu

#### 6.2.1 Main Menu

- > Game Mode
- Input
- Test
- Output test
- Game reset
- Language 语言
- Date/Time setting
- PC information
- Book keeping
- Daily Record
- Exit & without save
- Exit & save



6.2.2 Game Mode

Free Play	OFF
Tickets Out	ON
Attract Mode	ON
Save Coins	ON
Volume	10
Coins Per Game	1
Reward Tickets	10
Mercy Tickets	0
Game time(s)	60
Game Difficulty	easy
Score mode	star
Ticket mode	call Attendant
Back	

Note:

No.	Item	Option	Explanation
1	Free Play	ON/OFF	Play game without credit in.
2	Tickets Out	ON/OFF	Whether payout tickets after game over.
3	Attract Mode	ON/OFF	Whether play with sounds during demo
4	Save Tickets	ON/OFF	Whether save tickets when power is off.
5	Volume	0~10	0 is mute. 10 are max.
6	Coins per Game	1~10	Coins to play one game.
7	Reward Tickets	1~15	Tickets for the winner.
8	Mercy Tickets	0-10	Tickets for the 2 <sup>nd</sup> place.
9	Game time(s)	45-60—80-100	Game play time (seconds).
10	Game Difficult	Easy/Normal/Hard	Set the difficulty to win.
11	Score mode	Star -Ring-Gold coin	Select star or ring gold or token stands for score display on the screen.
12	Ticket Mode	Store tickets in memory/ call attendant	Whether continue to play the game when ticket is owed.

6.2.2 Input Test

Coin 1	NO/OFF
Coin 2	NO/OFF
Service button	NO/OFF
Reset button	NO/OFF
Select Button1	NO/OFF
Select Button2	NO/OFF
Wheel POT1	0~255
Wheel POT2	0~255

6.2.3 Output Test

Select Button1 light
Select Button2 light
Ticket Drive 1
Ticket Drive 2
Back



### 6.2.4 Game reset

Reset Game Setting  
 Delete A1 Record  
 Clear Tickets  
 Back

Note:	
Reset Game setting:	Reset all settings to default.
Delete All Record:	Clear all bookkeeping data,
Clear Ticket:	Clear owed tickets.

### 6.2.5 Select Language

English  
 中文

### 6.2.6 Date/Time setting

Year        2013  
 Month       8  
 Day         27  
 Hour        15  
 Minute     22  
 Second     22  
 Save&back  
 Back

### 6.2.7 PC information

CPU  
 Mother board  
 Disk Drive  
 Memory  
 Display adapter  
 Display RAM size  
 Press Test button to exit

### 6.2.8 Bookkeeping

Player	Coin	Tickets	Payout
1	0	0	0
2	0	0	0
Sum	0	0	0

Save?  
 No  
 Yes

Reset  
 Back

### 6.2.9 Daily Record

Date	Weekday	RunTime	Coins	Tickets	Payout
2013-8-27	SAT	00:10	0	0	0.00

Save?  
 No  
 Yes

Reset  
 Back

### 6.2.10 Exit & without save

### 6.2.11 Exit & save





# 7. ERROR MESSAGE AND RECOVERY

## 7.1 Error Message

**Symptom:** Screen displays message “*Communication ERROR*” (there is communication problem with the game)

**Possible Causes & Fixes:**

- Communication data wire is damaged → Replace the data wire.
- SCM is not working → Ask your technician to check and repair
- PC COM port has been used → Ask your technician to check and repair

**Symptom:** Screen displays “*PLEASE CALL ATTENDENT*”, “*TICKET ERROR*” (there is problem in the ticket payout function)

**Possible Causes & Fixes:**

- No tickets in the game → Replenish tickets and then press the TICKET RESET button.
- Ticket dispenser is damaged → Replace with a new ticket dispenser.
- Faulty connection → Ask the technician to check and repair.

## 7.2 System Recovery Operation

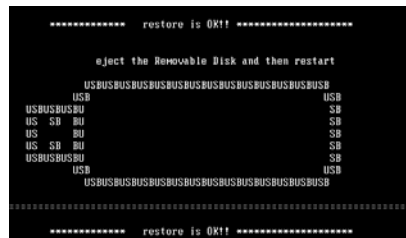
1. Turn off the game. Insert the memory stick into the USB port at the back of the computer.
2. Restart PC to enter the system recovery screen as shown.



3. The game will automatically start recovery

which will take last about 5 minutes. Please wait until process is complete.

4. Once system recovery is finished (as shown below), remove the USB flash drive from the computer and turn off the PC. Wait at least 30 seconds before restarting the PC.



**WARNING:** the USB flash drive should only be used to fix software errors. Using it for other purposes may cause unexpected results and damages.

### 7.3 Problem Analysis and Solution

Problem	Reason	Solution
Plugged machine without reaction	1.Incongruent power 2. leakage protection switch 3. No 110v voltage	1.Whether power is accord with the machine 2.Detecting leakage switch is off, please turn on 3.Change power voltage
After electrify, hear WINDOWS startup voice but no game interface display and blank screen	1.VGA holding line is loosen 2.Monitor damaged 3.Games reporting error	1. Check PC VGA holding wire is loosen, If loose to pull plug this line .If it's not this port problem, continue to check display VGA signal wire is loose. 2.Change monitor , if monitor is damaged, please dial this No.: 4006-020-321. 3. Update the game again
The power on ,display blue-screen and no sound	1.PC power is loosen 2. VGA holding wire connects PC and monitor is loosen 3. PC video card loosen 4. PC on safeguard mode	1. Check PC power is loosen 2. Check VGA holding wire connects PC and monitor is loosen 3.Take apart PC cover, insert video card again. 4.Open front cover, if boot lamp has been flash, press start button for 30 seconds, restart again then .If you cannot solve problems, Please dial this No.:8008108888
Operation can appear system halted sometimes	1. video card loosen or bad connection 2. PC crash	1. Insert video card again 2. Restart or system restore
Coin mech. No reaction	1.Coin mech. damaged 2.holding wire loosen 3.No DC12V 4.IO control board damaged	1. Change coin mech. 2. check holding line is loosen 3. change switching voltage 4. change IO control board



Problem	Reason	Solution
Can play the game but there was no voice	<ol style="list-style-type: none"> <li>1. POT off</li> <li>2. audio line is loosen</li> <li>3. amplifier is damaged</li> <li>4. speaker is damaged</li> </ol>	<ol style="list-style-type: none"> <li>1. Adapt the POT</li> <li>2. Check audio line is loosen of PC on picture 1</li> <li>3. Send to factory to repair</li> <li>4. change a speaker</li> </ol>
The power is on ,PC, display, amplifier is normal, but could not enter the game screen	<ol style="list-style-type: none"> <li>1. VGA serial port is loosen</li> <li>2. IO control board is damaged</li> <li>3. Dongle is damaged</li> </ol>	<ol style="list-style-type: none"> <li>1. Check PC and IO control board's VGA serial is loosen</li> <li>2. Change IO control board</li> <li>3. Change dongle</li> </ol>
The interface bright lights didn't work	<ol style="list-style-type: none"> <li>1. DC12V connecting line is loosen</li> <li>2. switching voltage is damaged</li> <li>3. DC12V connecting line is short circuit</li> <li>4. light control panel is damaged</li> </ol>	<ol style="list-style-type: none"> <li>1. check 12V connecting line is loosen</li> <li>2. change SW power</li> <li>3. check 12Vconnecting line is short circuit</li> <li>4. change light control board</li> </ol>

## 7.4 Coin Mech. Instruction

### 1. Spec.:

Applicable coins diameter: 21mm ~28mm

Apply thickness of coins: 1.7mm ~2.0mm

Operating voltage: DC +12V

Operating temperature: -15°C ~+75°C

### 2.Usage:

a. Insert coins into groove you need.

b. Cooperate the need with machine of receive signal to inset coins. Changing-over three time switches—fast, medium, and slow, but the “medium” is the factory settings.

c. VR knob is to adjust the coins 'sensitivity, clockwise (+) to spin is loose, otherwise, tight.

Adjust VR knob according to any kinds of coin, no coin or less coin, towards to (+), otherwise, towards to(-).

## 8. MAINTENANCE & INSPECTION

### 8.1 Safety Check

Check the points listed before operating the machine. These checks are necessary for safe machine operation:

1. Try to run the game before operation each day.
2. Conduct monthly routine checks of game components ensure good working condition
3. Check the machine regularly for dust and clean when necessary.

**Note:** Parts and components require preventative maintenance to be kept running smoothly

### 8.2 Handling Precautions

When installing or inspecting the machine, be very careful of the following points and pay attention to ensure that the player can enjoy the game safely.

Non-compliance with the following points or inappropriate handling running counter to the cautionary matters herein stated can cause personal injury or damage to the machine

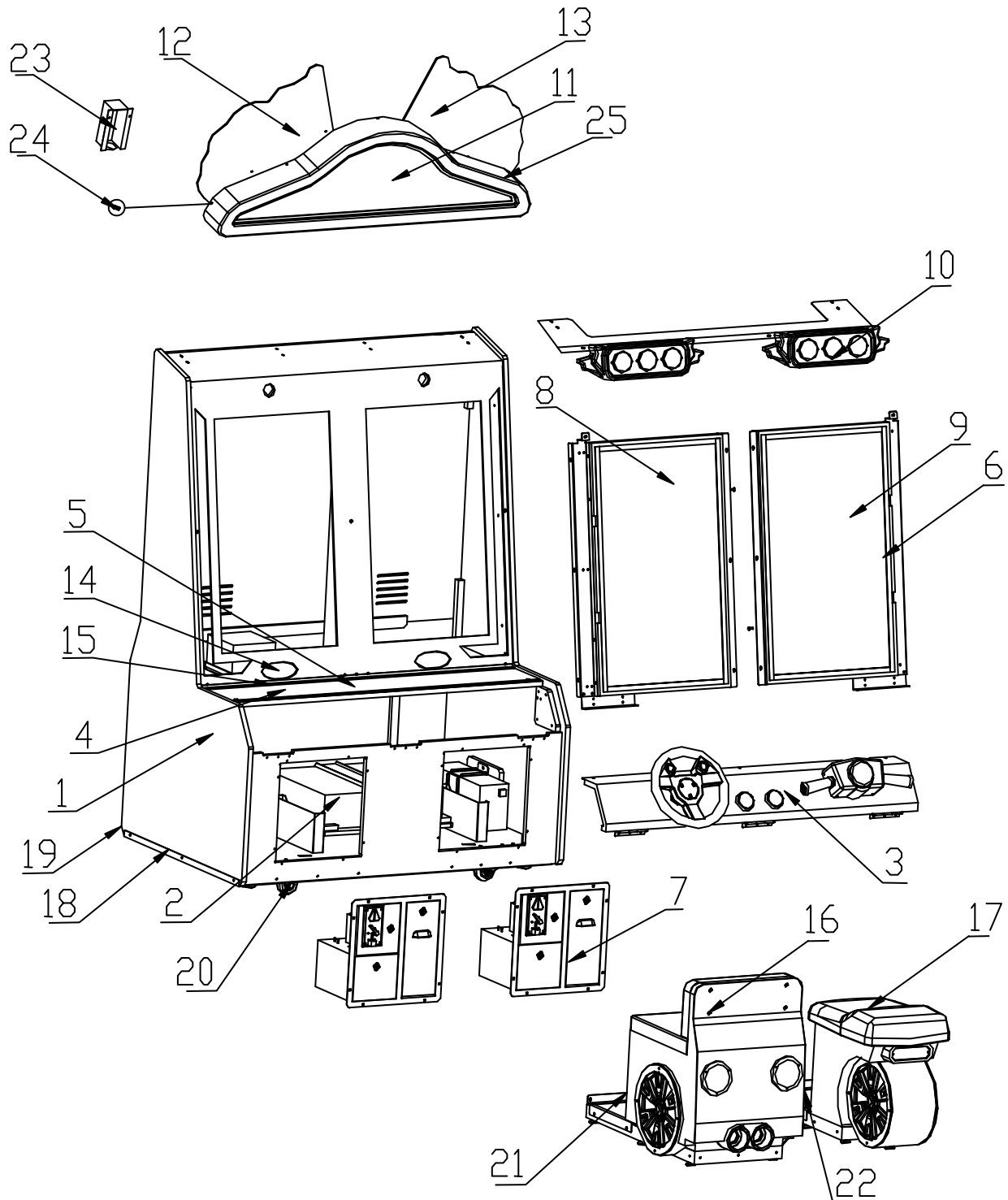


#### WARNING

- Before servicing the machine, be sure to turn power off. Servicing without turning the power off can cause electric shock or short circuit.
- To avoid electric shock or short circuit, do not plug then unplug the power quickly
- Do not expose power cords and earth wires, these are susceptible to damage.
- Damaged cords and wires can cause electric shock or short circuit and should be replaced immediately.
- When or after installing the product, avoid pulling the power cord to prevent unnecessary wear and tear. Use the power button to disconnect power.
- In case the power cord is damaged, ask for replacement through where the product was purchased from or replace locally. Continued usage of damaged cord can cause fire, electric shock or leakage.
- Perform grounding appropriately. Inappropriate grounding can cause electric shock.
- Use fuses that meet specified rating. Fuses exceeding can cause an electric shock.
- Should a problem occur, turn off the power immediately and stop operating the machine. Unplug the power cord of the service outlet. Operating the machine without correcting the problem may cause a fire or injuries.
- Insert the power plug securely into the outlet. Poor contact may cause overheating, resulting in fire or burns.
- To ensure the warning labels attached on the machine are visible and legible, install the machine in a well-lit location, and keep the labels clean at all times. Make sure the labels are not hidden behind other game machines.

# 9. OVERALL CONSTRUCTION

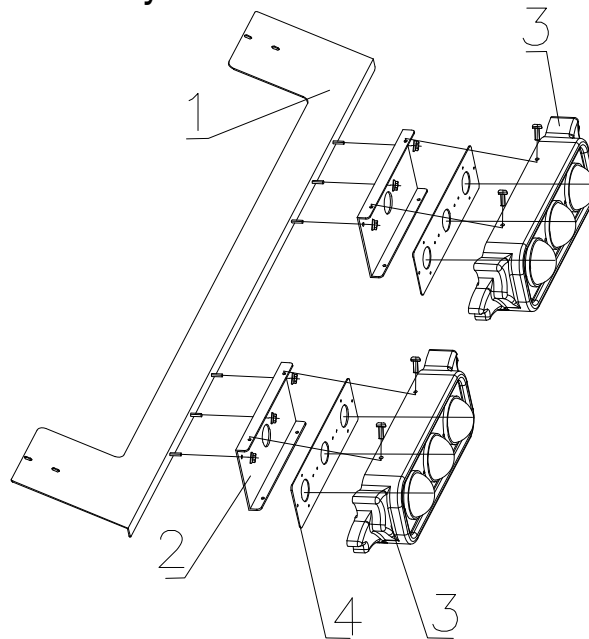
## 9.1 Assembly drawing



No	Part No.	Code No.	Name	SPEC.	Qty
1	D120-001-000	29941317B001	Wooden cabinet	748×1203×1739	1
2	D120-002-000	29941317002	PC assembly	Assembly	1
3	D120-003-000	29941317B003	Control panel assembly	Assembly	1
4	D120-101-000	20641317B001	Console plate	δ1 black EVA	1
5	D120-102-000	20541317B003	Console level decal	Transparent plastic	1
6	D120-103-000	20541317B002	Display decal	Transparent plastic	1
7	D120-004-000	DZPPL-00-01	Coin door assembly	Assembly	1
8	D120-005-000	29941317B004	L_Display assembly	Assembly	1
9	D120-006-000	29941317B005	R_Display assembly	Assembly	1
10	D120-007-000	29941317B008	Indicator light assembly	Assembly	1
11	D120-008-000	29941317B009	Marquee assembly	Assembly	1
12	D120-009-000	29941317B010	L_Top decal assembly	Assembly	1
13	D120-010-000	29941317B011	R_Top decal assembly	Assembly	1
14	D120-104-000	20241317B002	Speaker net	δ1 black Q235	2
15	D120-105-000	20241317B003	Lower pressure-plate	Q235	1
16	D120-011-000	29941317B006	Car seat assembly	Assembly	1
17	D120-012-000	29941317B007	Motorcycle seat assembly	Assembly	1
18	D120-106-000	20241317007	Both side plate	δ1.2 black	2
19	D120-222-000	20241317B053	Back plate	δ1.5 black	1
20	D120-108-000	26000008000	2.5"leveler	Q235	4
	D120-109-000	26000010000	2.5"caster bracket	Q235	4
	D120-110-000	25501000056	2.5"caster	3-2689-52	4
21	D120-111-000	20241317B030	Car connection plate	Q235	1
22	D120-112-000	20241317B039	Motorcycle connection plate	Q235	1
23	D120-215-000	20241317B001	Marquee back cover plate	Q235	1
24	D120-216-000	20241317B046	Plastic bracket	δ2	5
25	D120-217-000	20641317B018	Marquee shell	δ3	1

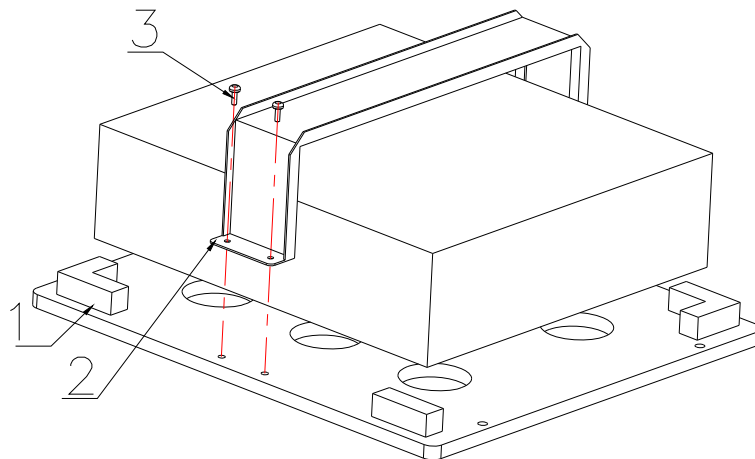


## 9.2 Indicator light Assembly



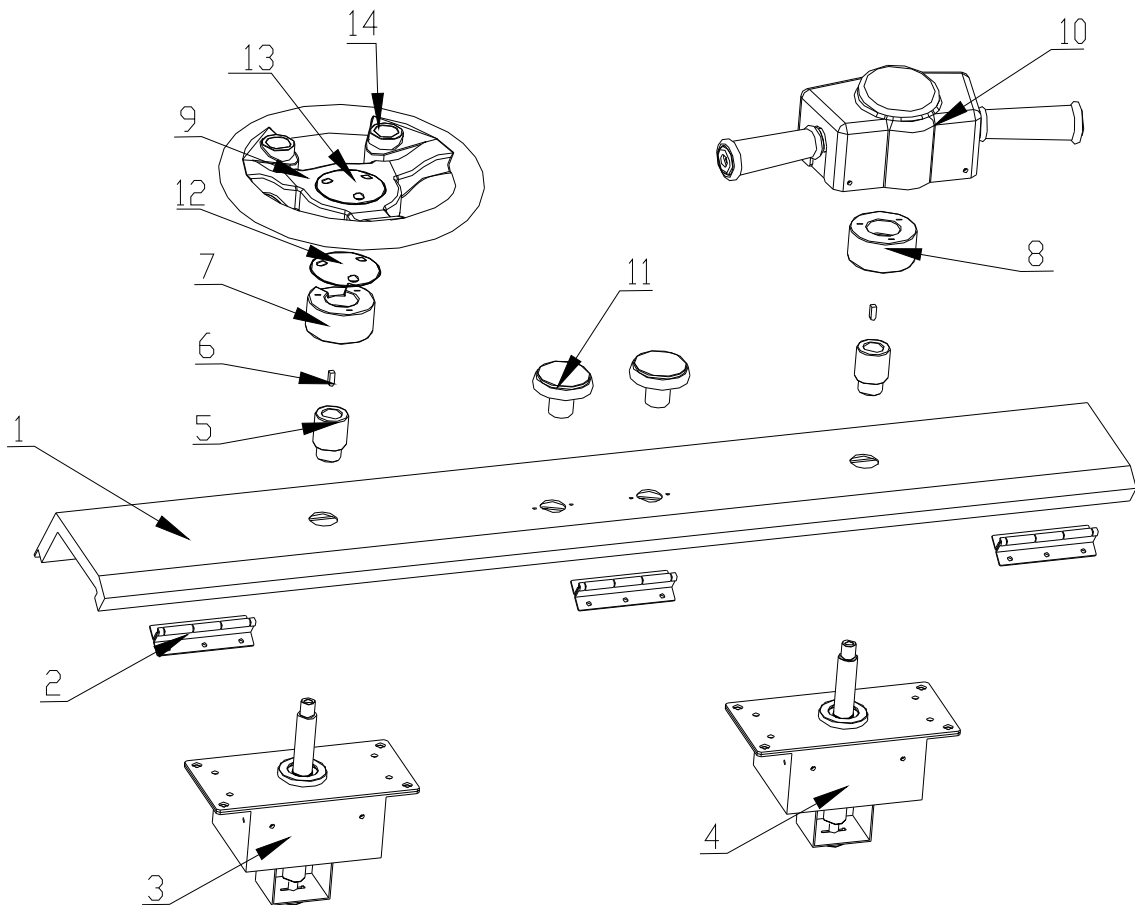
NO.	Part NO.	Code NO.	Name	Qty	Qty
1	D120-218-000	20241317B044	Plastic upper press plate	Q235 δ15	1
2	D120-219-000	20241317B045	Indicator light seat bottom plate	Q235 δ15	1
3	D120-220-000	20101020037	Indicator light seat	ABS δ3	2
4	D120-221-000	20241317B054	Indicator light mounting plate	SECCδ1.5	2

## 9.3 PC Assembly



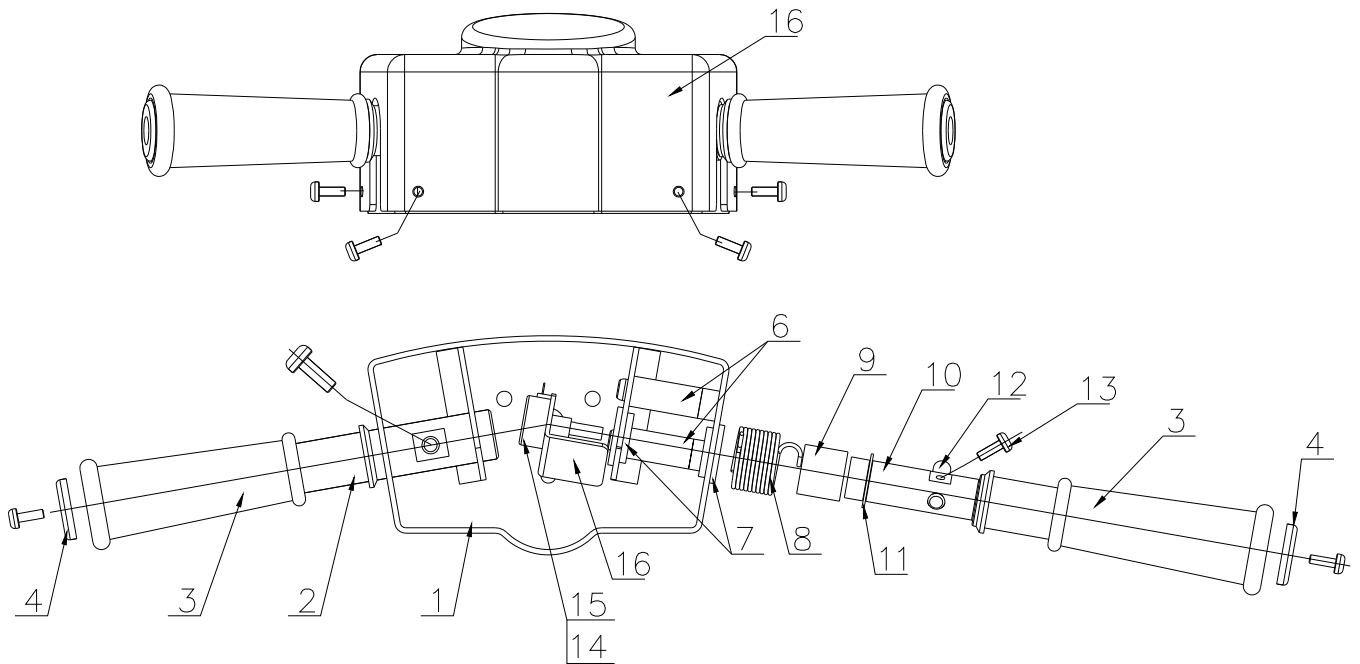
NO.	Part NO.	Code NO.	Name	Qty	Qty
1	D120-501-000	20341317024	Fixed board	δ15	1
2	D120-113-000	20241317013	Pressure-plate	T=1.5 SECC	1
3	D120-301-000	20101020037	Cross recessed pan head screw suite	M4×20 Color zinc Q235	4

## 9.4 Control panel Assembly



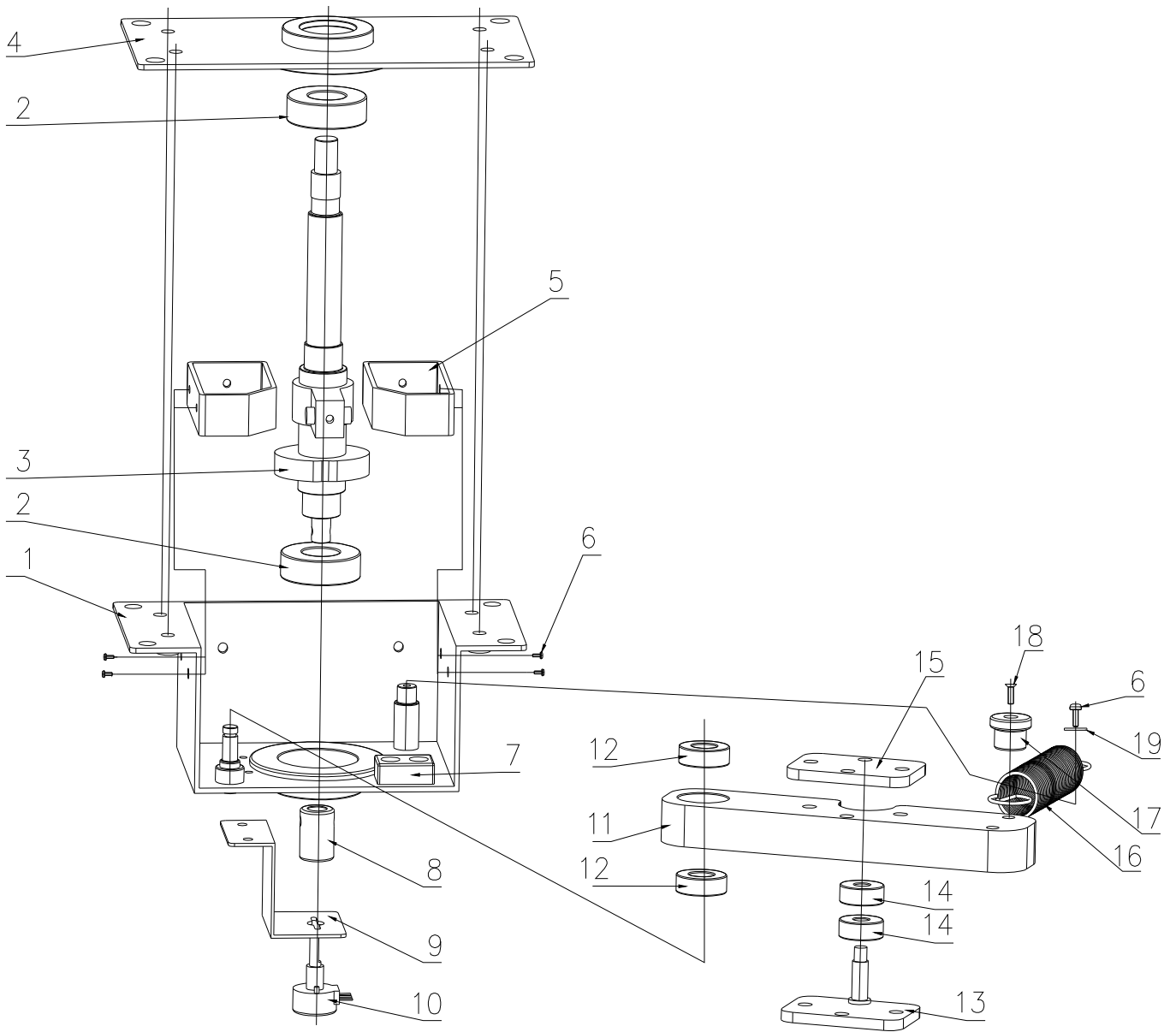
NO.	Part NO.	Code NO.	Name	SPEC.	Qty
1	D120-114-000	20241317B009	Mounting base	δ2 /δ1.5 blue	1
2	D120-115-000	26300000001	Double curved hinge	4"	3
3	D120-013-000	29941317B006	Automotive dynamic assembly	Assembly	1
4	D120-014-000	29941317B007	Motorcycle dynamic assembly	Assembly	1
5	D120-116-000	20241317B021	Sleeve	Q235	2
6	D120-117-000	20241317B022	Bolt	Q235	2
7	D120-118-000	20241317B023	Automotive Shaft block	Q235	1
8	D120-119-000	20241317B024	Motorcycle Shaft block	Q235	1
9	D120120-000	29940803004	Steering wheel	Assembly	1
10	D120-015-000	29941317B014	Motorcycle steering wheel	M12	1
11	D120-687-000	20640803007	Steering wheel body	ABS	1
12	D120-688-000	20640803009	Steering wheel end cap	ABS	1
13	D120-689-000	20640803008	Steering wheel shaft cap	ABS	1
14	D120-488-000	20740803010	push button		2

### 9.5 Motorcycle steering wheel Assembly



NO.	Part NO.	Code NO.	Name	SPEC.	Qty
1	D120-121-000	20241317B015	Steering wheel base	Q235	1
2	D120-122-000	20241317B016	Left handlebar	Q235	1
3	D120-123-000	20641317006	Gloves	PU	2
4	D120-124-000	20241317031	Washer	202 stainless steel	2
5	D120-125-000	20641317B005	Block column	Polyurethane	2
6	D120-126-000	20641317B006	handlebar Washer	Black POM	2
7	D120-127-000	20241317B017	Handlebar torsion spring	65Mn	1
8	D120-128-000	20641317B007	Spring set	Black POM	1
9	D120-129-000	20241317B018	Right handlebar	Q235	1
10	D120-130-000	20241317B019	Positioning shaft	Q235	1
11	D120-131-000	20105000029	A type circlip	Q235	1
12	D120-132-000	20241317B020	Pot support	SCEE	1
13	D120-133-000	20641317B004	Steering wheel cover	ABS	1
14	D120-426-000	22501000033	Pot	RB50K	1

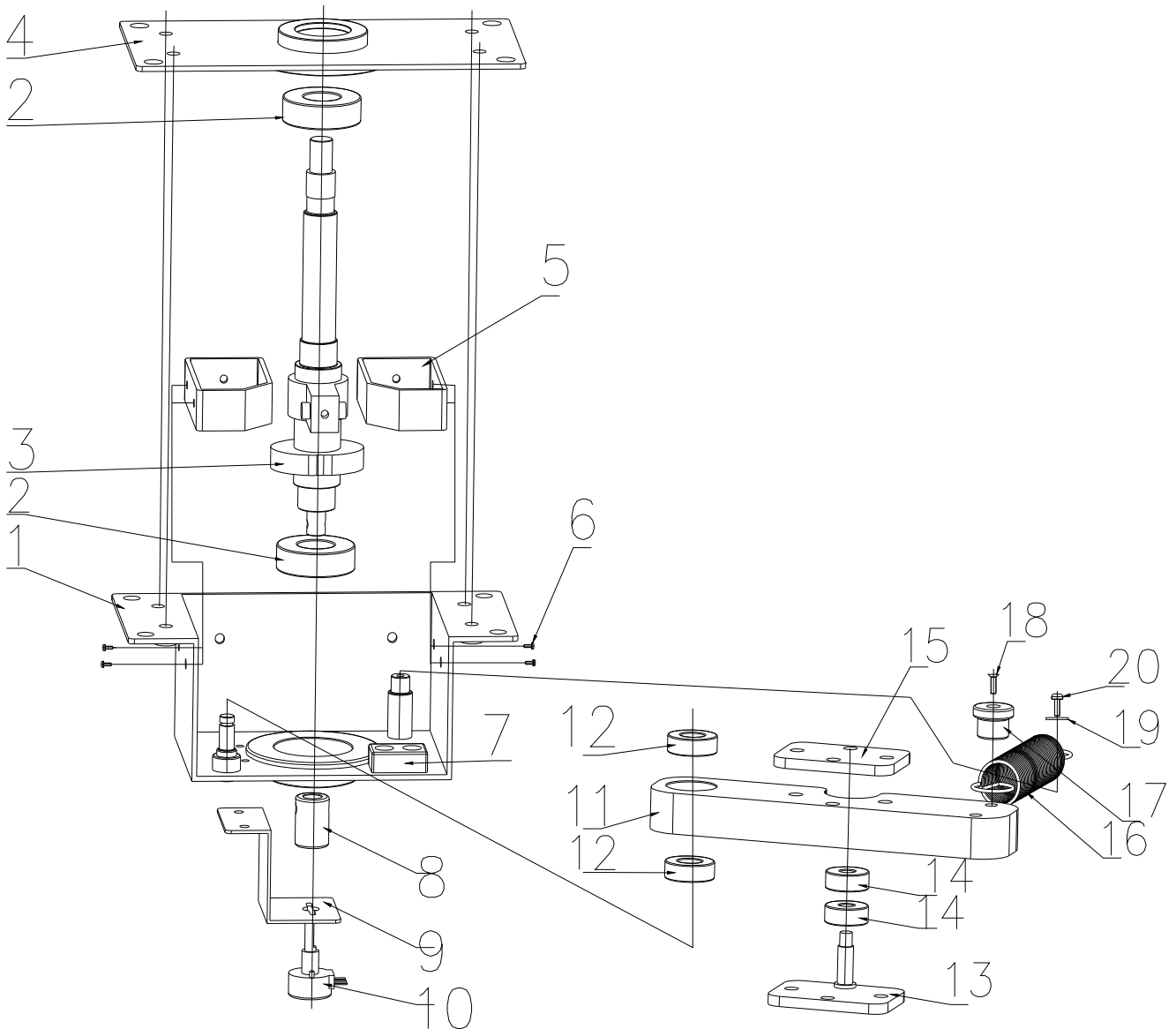
## 9.6 Automotive dynamic Assembly





NO.	Part NO.	Code NO.	Name	SPEC.	Qty
1	D120-134-000	20241317015	Mounting base	δ2.5 black Q235	1
2	D120-135-000	20106000175	Deep groove ball bearing	6004-2Z	2
3	D120-136-000	20241317B012	Automobile shaft	Black 45#	1
4	D120-137-000	20241317B012	Mounting cover	δ2.5 Black Q235	1
5	D120-138-000	20241317025	Automobile positioning block	δ3 Black Q235	2
6	D120-305-000	20101000034	Cross recessed pan head screw suite	M4×10	6
7	D120-223-000	20641317B003	Wire plate	Black EVA	1
8	D120-224-000	20241317B013	Coupling	Φ18 Black Q235	1
9	D120-141-000	20241317019	Pot. mounting plate	δ1.5 SCEE	1
10	D120-417-000	22501000030	5K Pot	RVQ24YN03 25F B502	1
11	D120-143-000	20241317018	Briquetting	δ12 Black Q235	1
12	D120-144-000	20106000312	Deep groove ball bearing	628/8-2Z	2
13	D120-145-000	20241317020	Bearing support plate	δ2 Black Q235	1
14	D120-146-000	20106000011	Deep groove ball bearing	605ZZ	2
15	D120-147-000	20241317019	Bearing plate	δ2 Black Q235	1
16	D120148-000	20241317023	Tension spring	Φ2 Black	1
17	D120-149-000	20241317024	Spring block	Φ13 Black Q235	1
18	D120-303-000	20101040018	Cross recessed countersunk head screw	M4×16	1
19	D120-150-000	20113000056	C-level flat washer	5×1.3h	1

### 9.7 Motorcycle dynamic Assembly

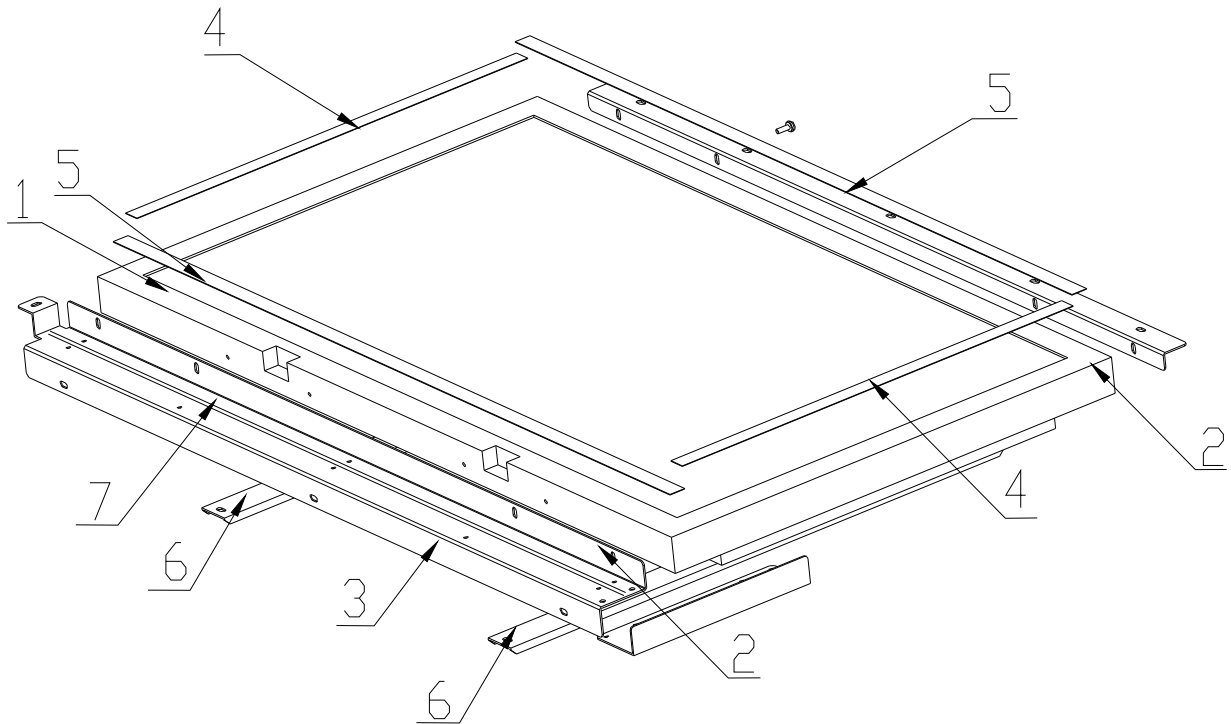






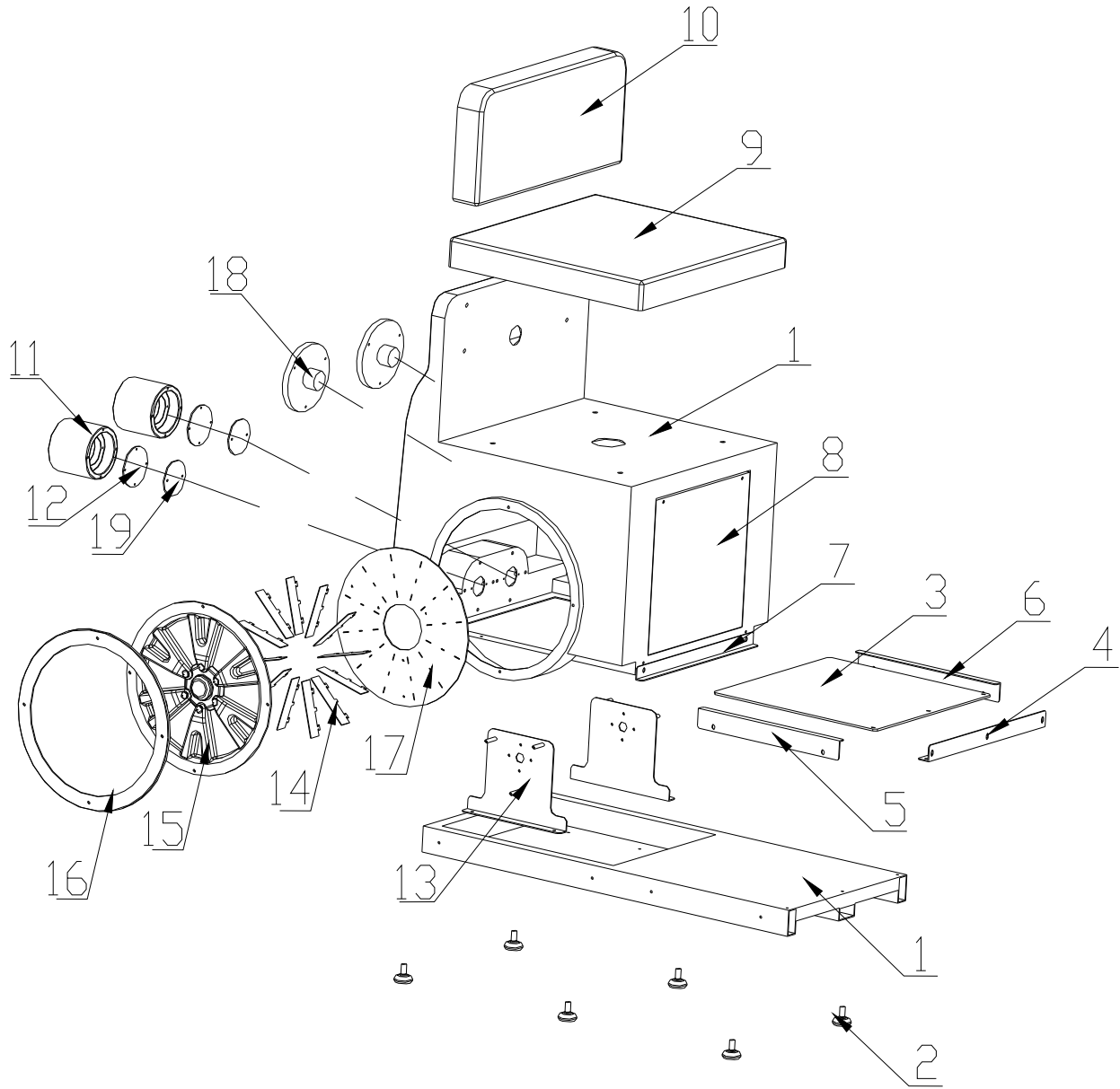
NO.	Part NO.	Code NO.	Name	SPEC.	Qty
1	D120-151-000	20241317015	Mounting base	δ2.5 black Q235	1
2	D120-152-000	20106000175	Deep groove ball bearing	6004-2Z	2
3	D120-153-000	20241317B012	Automobile shaft	Black 45#	1
4	D120-154-000	20241317B012	Mounting cover	δ2.5 Black Q235	1
5	D120-155-000	20241317027	Motorcycle positioning block	δ3 Black Q235	2
6	D120-305-000	20101000034	Cross recessed pan head screw suite	M4×10	6
7	D120-223-000	20641317B003	Wire plate	Black EVA	1
8	D120-224-000	20241317B013	Coupling	Φ18 Black Q235	1
9	D120-156-000	20241317019	Pot. mounting plate	δ1.5 SCEE	1
10	D120-417-000	22501000030	5K Pot	RVQ24YN03 25F B502	1
11	D120-157-000	20241317018	Briquetting	δ12 Black Q235	1
12	D120-158-000	20106000312	Deep groove ball bearing	628/8-2Z	2
13	D120-159-000	20241317020	Bearing support plate	δ2 Black Q235	1
14	D120-160-000	20106000011	Deep groove ball bearing	605ZZ	2
15	D120-161-000	20241317019	Bearing plate	δ2 Black Q235	1
16	D120-162-000	20241317023	Tension spring	Φ2 Black	1
17	D120-163-000	20241317024	Spring block	Φ13 Black Q235	1
18	D120-303-000	20101040018	Cross recessed countersunk head screw	M4×16	1
19	D120-164-000	20113000056	C-level flat washer	5×1.3h	1

## 9.8 Display Assembly



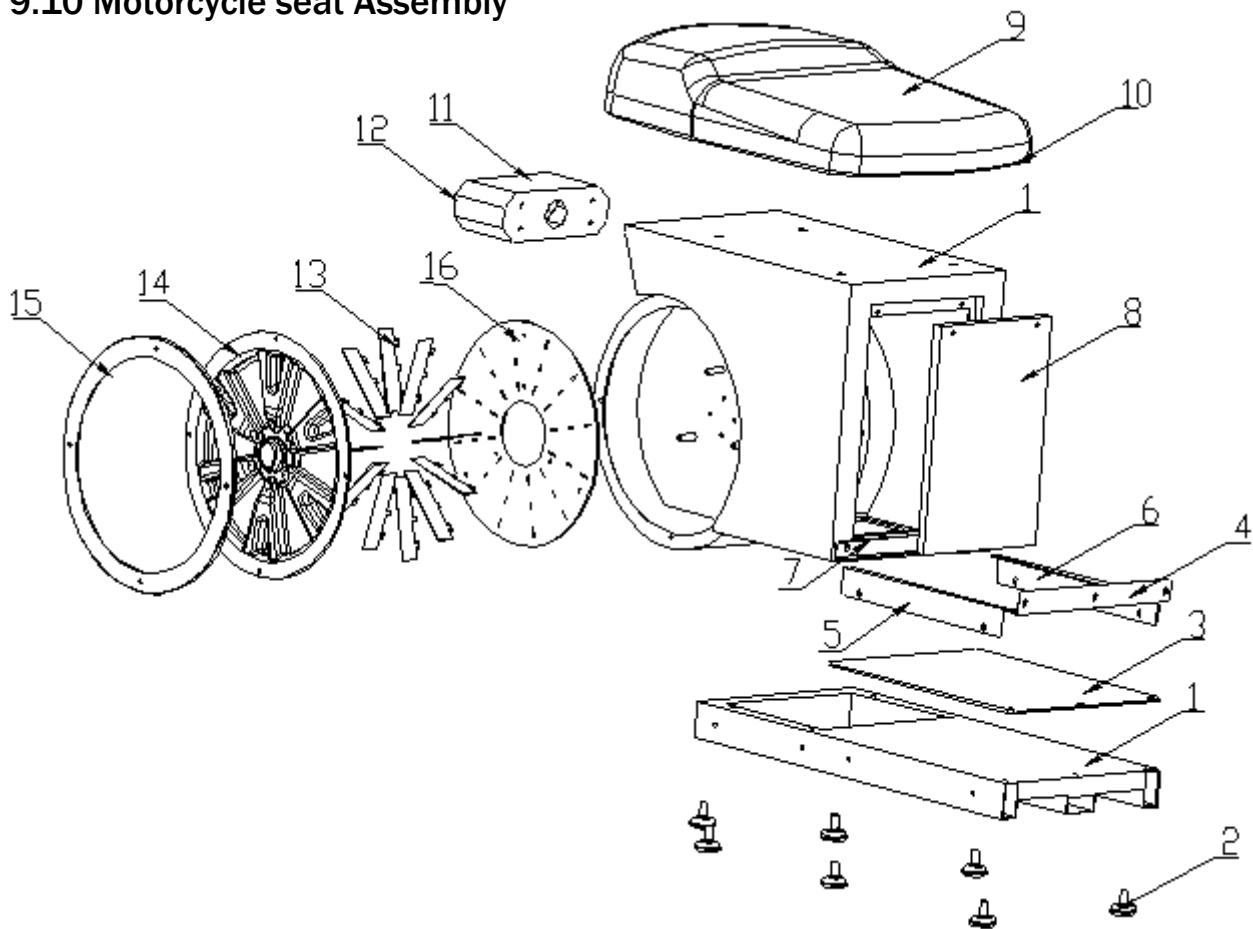
NO.	Part NO.	Code NO.	Name	SPEC.	Qty
1	D120-409-000	21201032004	32" display	LT32BN82	1
2	D120-165-000	20241317032	Monitor mounting plate	δ1.5 SECC	2
3	D120-304-000	20101020035	Cross recessed pan head screw suite	M4×12 Color zinc	4
4	D120-166-000	20641317011	Display vertical plate	720×15	2
5	D120-167-000	20641317010	Display horizontal plate	420×15	2
6	D120-168-000	20241317042	Display reinforcing plate	SECC	2
7	D120-169-000	20641317B008	Light board	EVA	2

### 9.9 Automotive seat Assembly



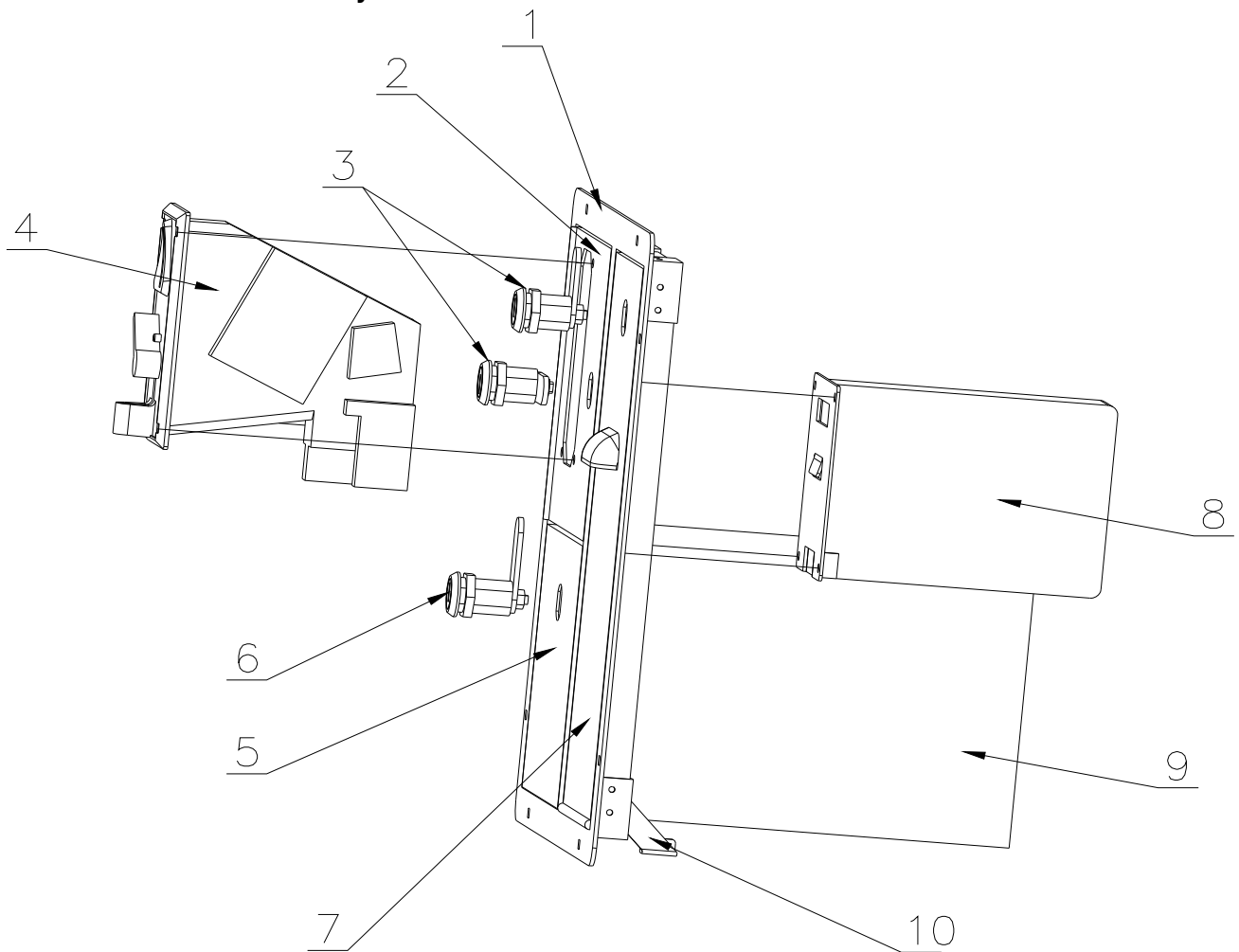
NO.	Part NO.	Code NO.	Name	SPEC.	Qty
1	D120-170-000	20241317B029	Automobile seat frame	δ1.5 blue Q235	1
2	D120-171-000	25900022001	M8×15Adjustable feet	M8×15 white	6
3	D120-172-000	20641317B010	Antiskid plate	Black	1
4	D120-173-000	20241317B030	Connecting plate	Black Q235	1
5	D120-174-000	20241317B031	Left side press plate	Black Q235	1
6	D120-175-000	20241317B051	Right side press plate	Black Q235	1
7	D120-176-000	20241317B032	Non-slip press plate	δ1.5 Black Q235	1
8	D120-177-000	20241317B003	Seat front door	Blue Q235	1
9	D120-178-000	20641317B011	Seat cushion	δ45 black	1
10	D120-179-000	20641317B012	Seat back cushion	δ45 black	1
11	D120-180-000	20241317B034	Tail gas cylinder	Aluminum	2
12	D120-181-000	20641317B013	Tail lamp	White	2
13	D120-182-000	20241317B035	lamp board mounting seat	Black Q235	2
14	D120-183-000	20241317B036	Light barrier	Aluminum	12
15	D120-184-000	20641317B009	Wheel shell	White	4
16	D120-185-000	20241317B037	wheel press plate	Q235 blue	1
17	D120-812-000	20711012002	PCB	BBGS-A2-PCB(V1.0)	1
18	D120-813-000	22003070008	Mushroom lamp	L-040 red	2
19	D120-814-000	29741208001	LED light board	TJXS-PGLED	2

## 9.10 Motorcycle seat Assembly



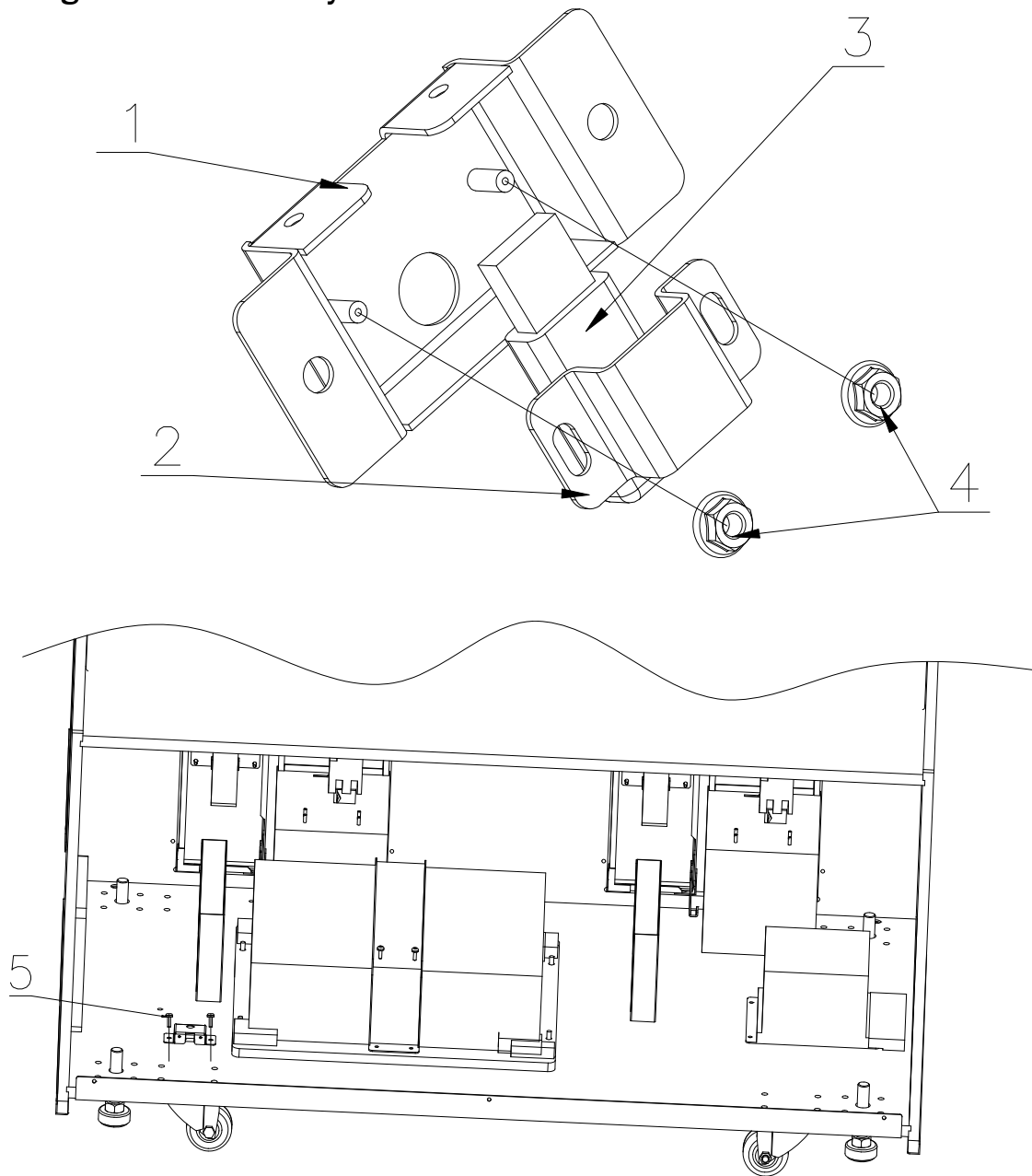
NO.	Part NO.	Code NO.	Name	SPEC.	Qty
1	D120-186-000	20241317B038	Motorcycle seat frame	δ1.5 blue Q235	1
2	D120-187-000	25900022001	M8×15Adjustable feet	M8×15 white	6
3	D120-188-000	20641317B014	Antiskid plate	Black	1
4	D120-189-000	20241317B039	Connecting plate	Black Q235	1
5	D120-190-000	20241317B031	Left side press plate	Black Q235	1
6	D120-191-000	20241317B051	Right side press plate	Black Q235	1
7	D120-192-000	20241317B040	Non-slip press plate	δ1.5 Black Q235	1
8	D120-193-000	20241317B041	Seat front door	Black Q235	1
9	D120-194-000	20641317B015	Seat cushion	PU	1
10	D120-195-000	20241317B42	Cushion fixed plate	Q235	1
11	D120-196-000	20241317B043	Rear seat	Q235	1
12	D120-197-000	20641317B016	Back light	white	1
13	D120-198-000	20241317B036	Light barrier	Aluminum	12
14	D120-199-000	20641317B009	Wheel shell	white	4
15	D120-200-000	20241317B037	wheel press plate	Q235 blue	1
16	D120-815-000	29741208001	LED light board	TJXS-PGLED	2

### 9.11 Coin door Assembly



NO.	Part NO.	Code NO.	Name	SPEC.	Qty
1	D120-315-000	20210911042	Door frame	δ2 black Q235	1
2	D120-316-000	20210911047	Coin door	δ1.5 black Q235	1
3	D120-317-000	25300171001	171A lock	171A	2
4	D120-418-000	22301000001	Coin mech.	Electronic comparison	1
5	D120-319-000	20210911046	Inner coin box	δ1.2 black Q235	1
6	D120-320-000	25300172001	171B Lock	171B	1
7	D120-321-000	20210911048	Ticket door	δ1.5 black Q235	1
8	D120-322-000	23100000006	Ticket dispenser	CL-022Q-386	1
9	D120-323-000	20210911045	Outer coin box	δ1.5 black Q235	1
10	D120-324-000	26000018004	Hook	δ2(Color zinc) Q235	1

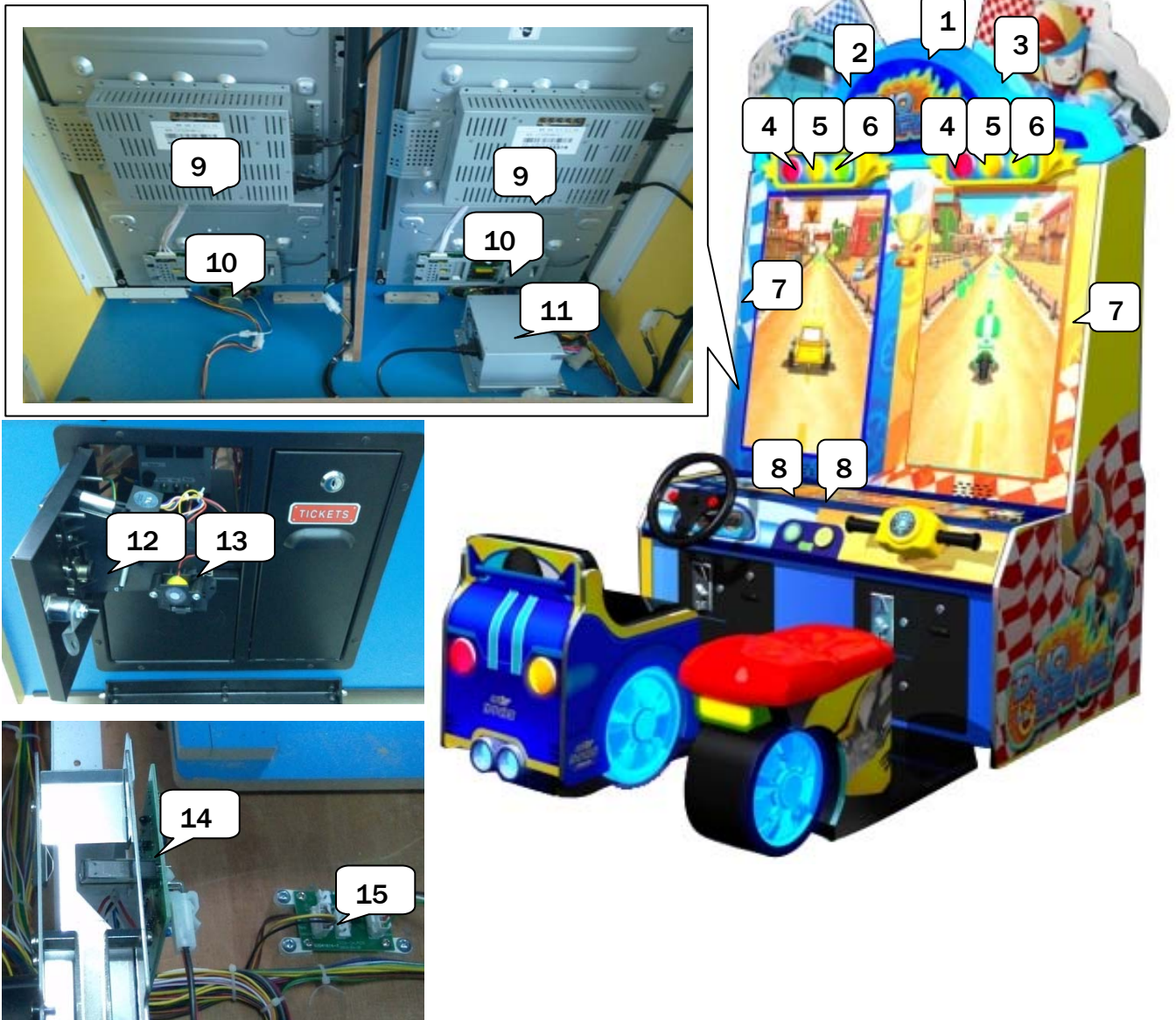
### 9.12 Dongle Fixed Assembly



NO.	Part NO.	Code NO.	Name	SPEC.	Qty
1	D120-325-000	20241317B004	Dongle seat	Q235 δ1	1
2	D120-326-000	20241317011	Dongle plate	SECCδ1	1
3	D120-327-000	41300000003	U disk	2G	1
4	D120-328-000	20102100010	Hexagon nuts with flange	stainless steel M3	2
5	D120-329-000	20101100025	Cross recessed pan head screw	stainless steel M4*16	2



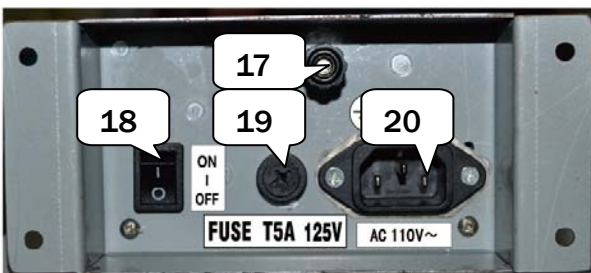
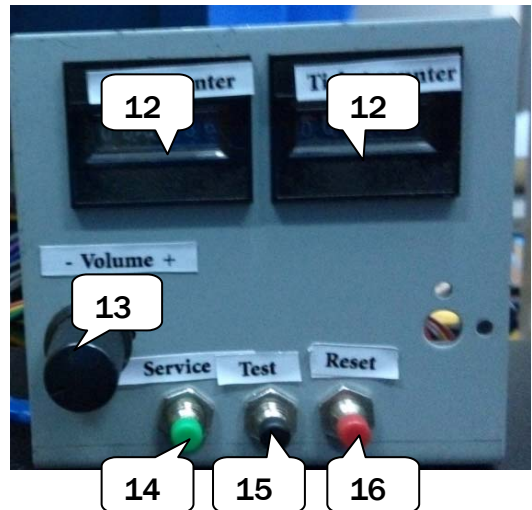
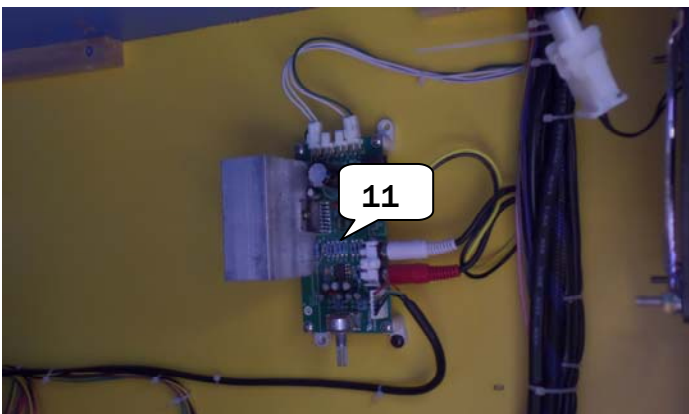
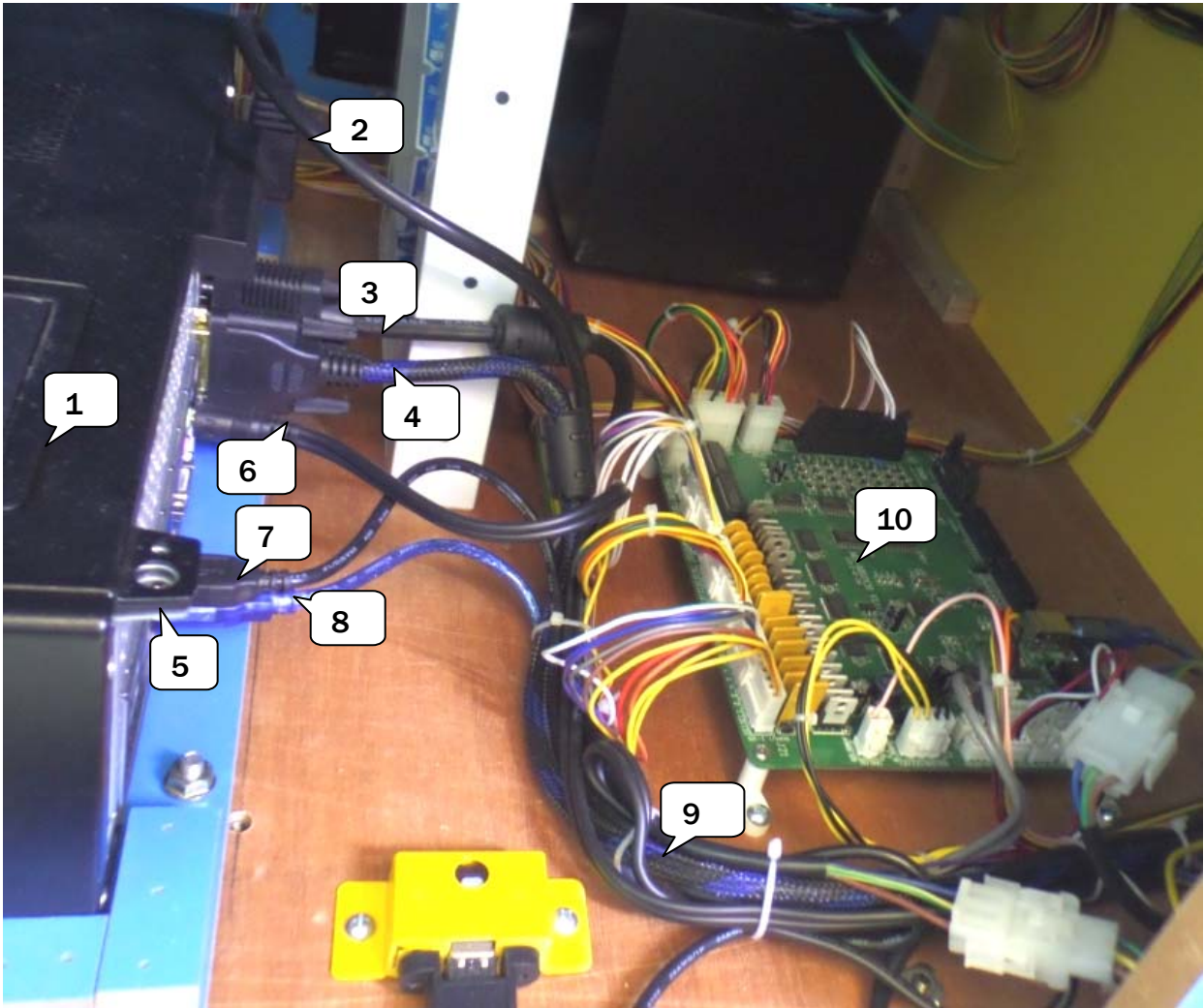
### 9.13 Electrical parts1.



NO.	Part NO.	Code NO.	Name	SPEC.	Qty
1	D120-401-000	22002013013	5050 Flexible LED Strip	DV12V blue	1
2	D120-402-000	22003080003	5630 light	W5630-LC30cm-60z/m	1
3	D120-403-000	22003080001	5630 light	W5630-LC5cm-60z/m	1
4	D120-404-000	22003070005	Mushroom lamp	L-025 red	2
5	D120-405-000	22003070006	Mushroom lamp	L-025 yellow	2
6	D120-406-000	22003070007	Mushroom lamp	L-025 green	2
7	D120-407-000	22002016001	Colorful LED Strip Light	DC5V RGB IC1606S	2.3
8	D120-408-000	22401000005	Button(Large)	White Φ60	2
9	D120-409-000	21201032004	32"LED display	LT32BN82	2
10	D120-410-000	22801000017	Speaker	50*120 8 Ω 10 W	2
11	D120-411-000	21602000001	Power supply	BTX-3039(110V220V)	1
12	D120-418-000	22301000001	Coin mech.	Electronic comparison	2
13	D120-413-000	22003000075	Red light seat	LED	2
14	D120-414-000	23100000006	Ticket dispenser	CL-022Q-386	2



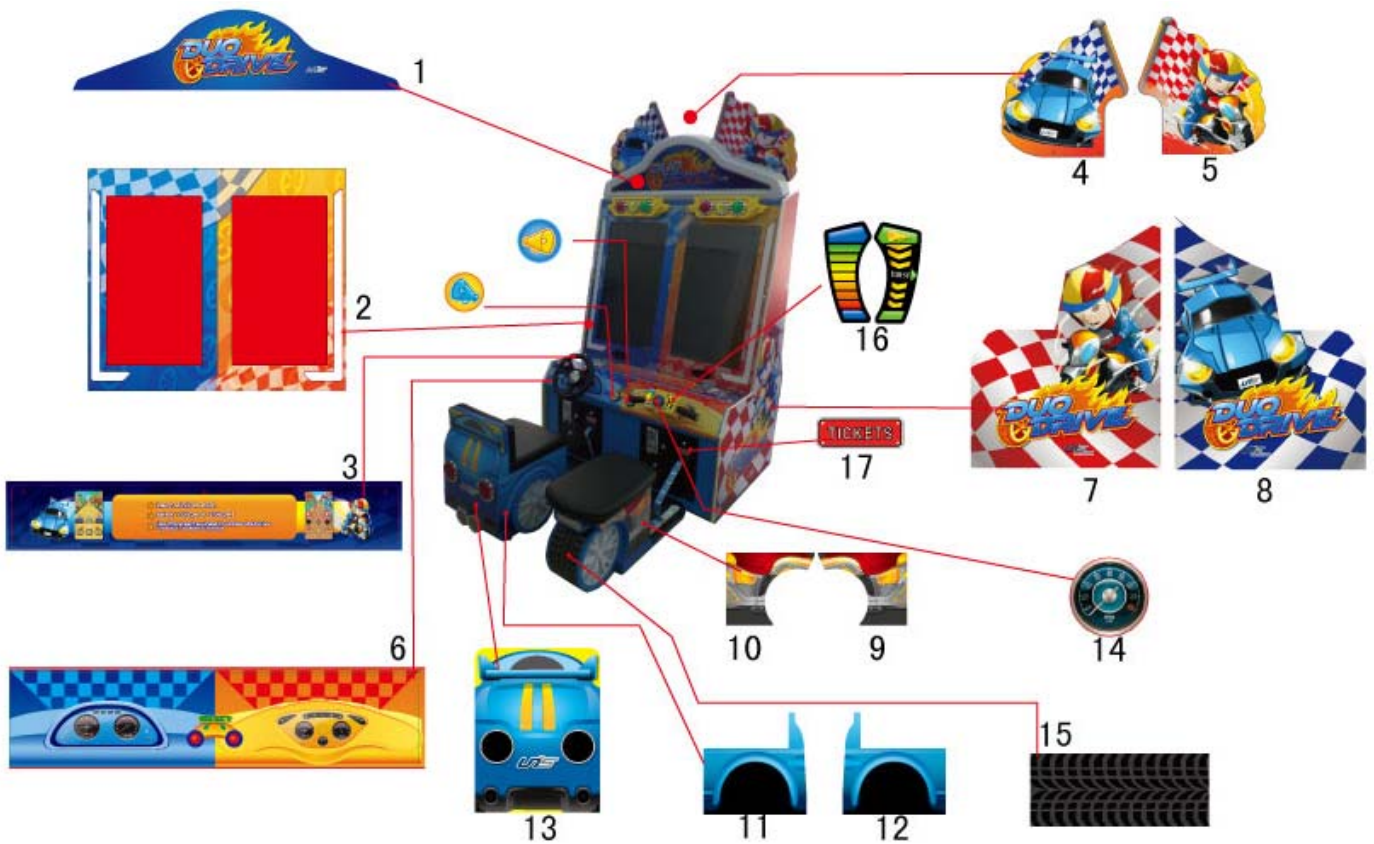
### Electrical parts2.





NO.	Part NO.	Code NO.	Name	SPEC.	Qty
1	D120-428-000	21101000020	Lenovo pc	M5820	1
2	D120-412-000	23301000001	Power cord	10A/250V-1.8M	1
3	D120-431-000	23307000006	15PVGA Video Cable	DB15M-DB15M	1
4	D120-434-000	23307000020	DP to DVI Video Cable	DP-DVI 1.8m	1
5	D120-429-000	41300000004	U disk	4G	1
6	D120-437-000	23305000003	Stereo audio cable	1.8M	1
7	D120-432-000	23304000019	USB data cable	A/B type 60cm	1
8	D120-435-000	23304030001	USB extension cable	A type 1M	1
9	D120-430-000	23309000130	Sleeve wire	Duo Drive	1
10	D120-438-000	21701000029	Main board	M3_MB.PCB 150×200×2.0mm	1
11	D120-433-000	22803000031	2.0 Amplifier	GOODCORE-25WD	1
12	D120-436-000	23000000006	Counter	C-012 12VDC 18CPS	2
13	D120-415-000	21709000002	POT connector	VR.PCB	1
	D120-416-000	22403000001	POT knob	Black	1
	D120-417-000	22501000030	5K POT	RVQ24YN03 25F B502	1
14	D120-427-000	22402030002	Green button	PB:11C02R (green)	1
15	D120-419-000	22402050001	Black button	PB:11C02R( (black)	1
16	D120-420-000	22402010002	Red button	PB:11C02R (red)	1
17	D120-421-000	21412000001	Terminal	T10A /15A/250V black	1
18	D120-422-000	22601000005	Small ship SW	T125/55	1
19	D120-423-000	21902000006	Fuse base	R3-11 110V/250V/10A	1
20	D120-424-000	21901000013	Fuse	Φ5×20mm T10A 250VAC	2
	D120-425-000	23210100001	Filter	YB10A1 10A/250V	1

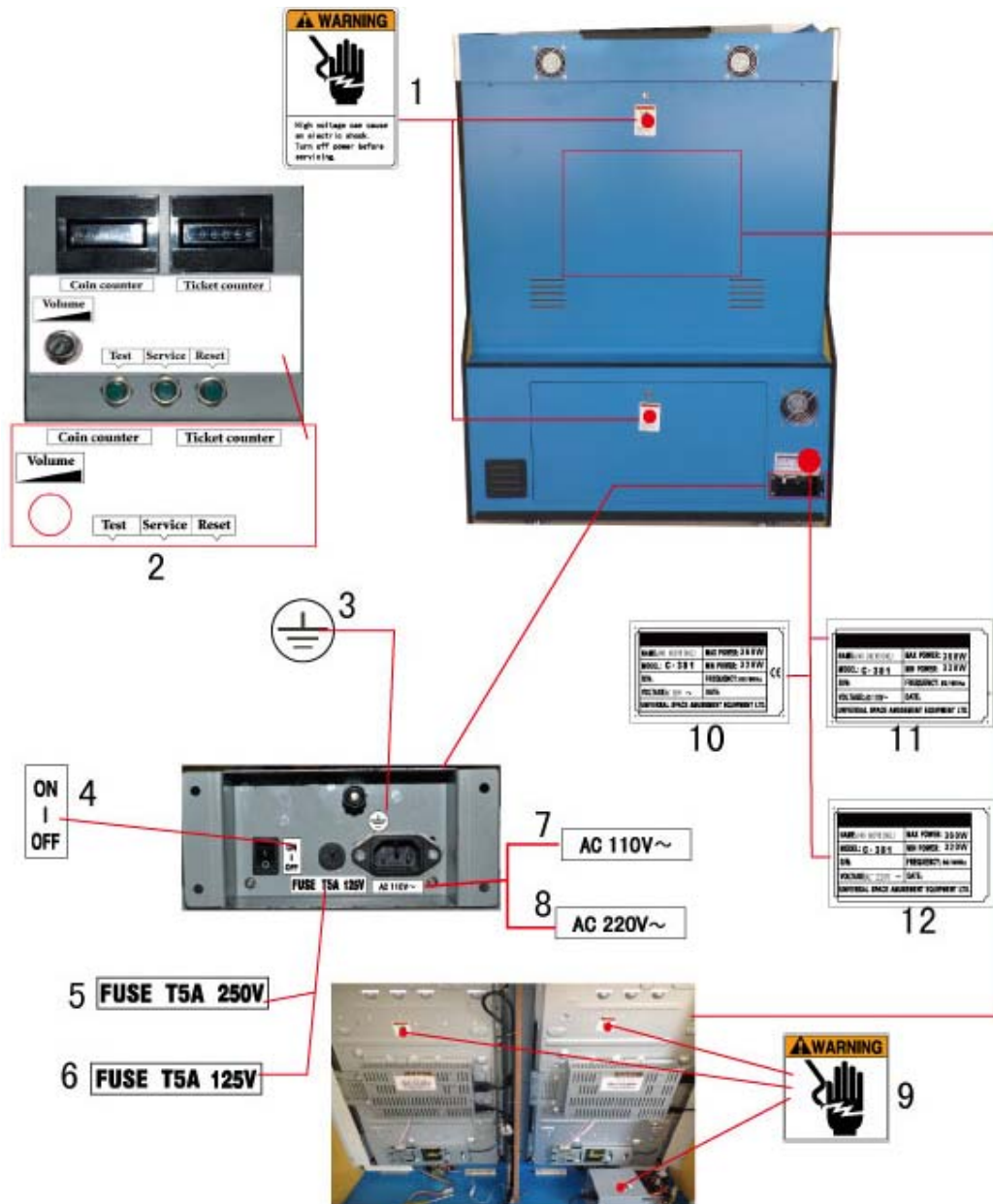
### 9.14 Decals1.



NO.	Part NO.	Code NO.	Name	Spec.	Qty
1	D120-701-000	20541317B001	Marquee decal	974×243×5	1
2	D120-702-000	20541317B002	Display decal	1068×920×5	1
3	D120-703-000	20541317B003	Control panel decal	1093×191×3	1
4	D120-704-000	20541317B004	POP L-side decal	437×473×5	1
5	D120-705-000	20541317B005	POP R-side decal	437×473×5	1
6	D120-706-000	20541317B006	Control panel front decal	1088×251×0.3	1
7	D120-707-000	20541317B007	L-side decal	748×990	1
8	D120-708-000	20541317B008	R-side decal	748×990	1
9	D120-709-000	20541317B009	Motorcycle R-side decal	365×291	1
10	D120-710-000	20541317B010	Motorcycle L-side decal	365×291	1
11	D120-711-000	20541317B011	Automotive R-side decal	425×393	1
12	D120-712-000	20541317B012	Automotive L-side decal	425×393	1
13	D120-713-000	20541317B013	Automotive back decal	392×486	1
14	D120-714-000	20541317B014	Motorcycle Steering wheel cover decal	65×65	1
15	D120-715-000	20541317B015	Motorcycle tire decal	409×247	1
16	D120-716-000	20541317B016	Motorcycle control panel decal	78×76	1
17	D120-717-000	256000000034	Ticket decal	62×20	2



## Decals2.



NO.	Part NO.	Code NO.	Name	Spec.	Qty
1	D120-718-000	25601000037	High voltage (big)	62×88	2
2	D120-719-000	25600000100	English counter decal B	88X35	1
3	D120-720-000	25600000091	Line mark decal	12X12	1
4	D120-721-000	25601000017	SW decal B	8×18	1
5	D120-722-000	25601000074	Fuse T5A/250V	33X6	1
6	D120-723-000	25601000080	Fuse T5A/125V	33X6	1
7	D120-724-000	25600000071	New voltage 110V	25X6	1
8	D120-725-000	25600000072	New voltage 220V	25X6	1
9	D120-726-000	25601000036	High voltage (small)	41×42	3
10	D120-727-000	20541317B017	CE-certified 220V nameplate	128×68	1
11	D120-728-000	20541317B018	Un-certified220V nameplate	128×68	1
12	D120-729-000	20541317B019	Un-certified110V nameplate	128×68	1









**Have Questions? Contact us!**

[www.universal-space.com](http://www.universal-space.com)

 <b>International Support Center</b>	 <b>USA Support Center</b>
Tel: +1-905-477-2823 Fax: +1-905-477-2660 Email: <a href="mailto:service@universal-space.com">service@universal-space.com</a> (Contact: Clement Yau)	Tel: 972-241-4263 Fax: 214-919-4918 Email: <a href="mailto:tsnelling@unisusasupportcenter.com">tsnelling@unisusasupportcenter.com</a> (Contact: Tim Snelling)