

TREASURE COVE



IMPORTANT



Be Sure
to Read this
Manual
Before Use

UIS[®]
UNIVERSAL SPACE

www.universal-space.com

Operation Manual

WE ARE HERE TO ASSIST For parts and service



Have Questions? Contact us!

UNIS SERVICE CENTER
 Tel: 972-241-4263
 Email: service@unispartsandservice.com

When contacting Service, you will need the following information
and the name of your authorized distributor.

INDOOR MACHINE		INDOOR MACHINE	
NAME: Treasure cove(GMP)	MAX POWER: 400W	NAME: Treasure cove(GMP)	MAX POWER: 400W
MODEL: C-538	MIN POWER: 320W	MODEL: C-538	MIN POWER: 320W
S/N:	FREQUENCY: 50 / 60Hz	S/N:	FREQUENCY: 50 / 60Hz
VOLTAGE: AC110V~	DATE:	VOLTAGE: AC220-240V~	DATE:
GUANGDONG UNIS TECHNOLOGY CO., LTD		GUANGDONG UNIS TECHNOLOGY CO., LTD	

CONTENT

IMPORTANT SAFETY INSTRUCTIONS.....	3
1. SPECIFICATIONS.....	5
2. CONTENTS OF THE ACCESSORY KIT.....	8
3. PART NAME.....	9
4. SET UP & INSTALLATION.....	10
5. HOW TO PLAY.....	32
6. GAME OPTION.....	34
7. TROUBLESHOOTING.....	41
8. MAINTENANCE & INSPECTION.....	43
9. OVERALL CONSTRUCTION.....	44
10. WIRING DIAGRAM.....	63

Thank you for purchasing **Treasure Cove**. We hope you enjoy the product.

This manual contains valuable information about how to operate and maintain your game machine properly and safely. It is intended for the owner and/or personnel in charge of product operation. Carefully read and understand the instructions.

If you need any help during installation and setup please utilize this manual and troubleshooting guide. If the product fails to function properly, *non-technical personnel should under no circumstance attempt to service the machine*. Contact your distributor or manufacturer for help.

Before use, please read **IMPORTANT SAFETY INSTRUCTIONS**.

IMPORTANT SAFETY INSTRUCTIONS

To ensure the safe usage of this product, carefully read and understand these instructions before operating your game.

Save these instructions for future reference.

Use this product only as described in this manual. Other uses not recommended may cause fire, electric shock or personal injury. Unplug the game from the outlet when not in use, when moving from one location to another, and before cleaning/servicing.

Explanations which require special attention are indicated by signs of warning. Depending on the potential hazardous degree, the terms: **NOTE**, **NOTICE**, and **WARNING** are used.

NOTE: A NOTE indicates useful hints or information about product usage.

NOTICE: A NOTICE indicates potential damage to product and how to avoid the problem.

WARNING: A WARNING indicates a potential for product damage or serious personal injury.

It is important to understand the meaning of the following **HAZARD SIGNS** before continuing:

High Voltage and Shock Hazard:

High voltage can cause electric shock.
Turn off/unplug power before servicing.



High Temperature Hazard:

This part may cause scalding.
Do not touch. Surface may be hot.



No Touching Hazard:

This part may be hot or can cause electric shock.
Do not touch.



Use the following safety guidelines to help ensure your own personal safety and to help protect your equipment and surrounding environment from potential damage.

 This product is an indoor game machine. Do not install outdoors.

Avoid installing in the following places to prevent fire, electric shock, injury and/or machine malfunctioning:

- Places subject to rain/moisture, or places subject to high humidity.
- Places subject to direct sunlight, or places subject to extremely hot or cold temperatures to ensure that it is used within the specified operating range.
- Places where inflammable gas may be present or in the vicinity of highly inflammable/volatile chemicals or items that can easily catch fire.
- On unstable or sloped surfaces. The machine may topple or cause unforeseen accidents.
- Vicinity of fire exits, fire extinguishers etc that may block/prevent safety measures.

IMPORTANT NOTE:

ALL REPAIRS MUST BE DONE TO ORIGINAL MANUFACTURER SPECIFICATIONS. FAILURE TO DO SO VOID ALL WARRANTIES AND OPERATOR ASSUMES ALL RISKS.

Note: The contents of this manual may be updated without notice.

1. SPECIFICATIONS

Rated power supply: AC110V~ 50/60Hz; AC220V-240V~ 50/60Hz

Min. Power consumption: 320W

Max. Power consumption: 400W

Minimum dimension: W50×D80.2×H103.7 in

W1270×D2037×H2633 mm

Maximum dimension: W50×D80.2×H113.9 in


W1270×D2037×H2893 mm

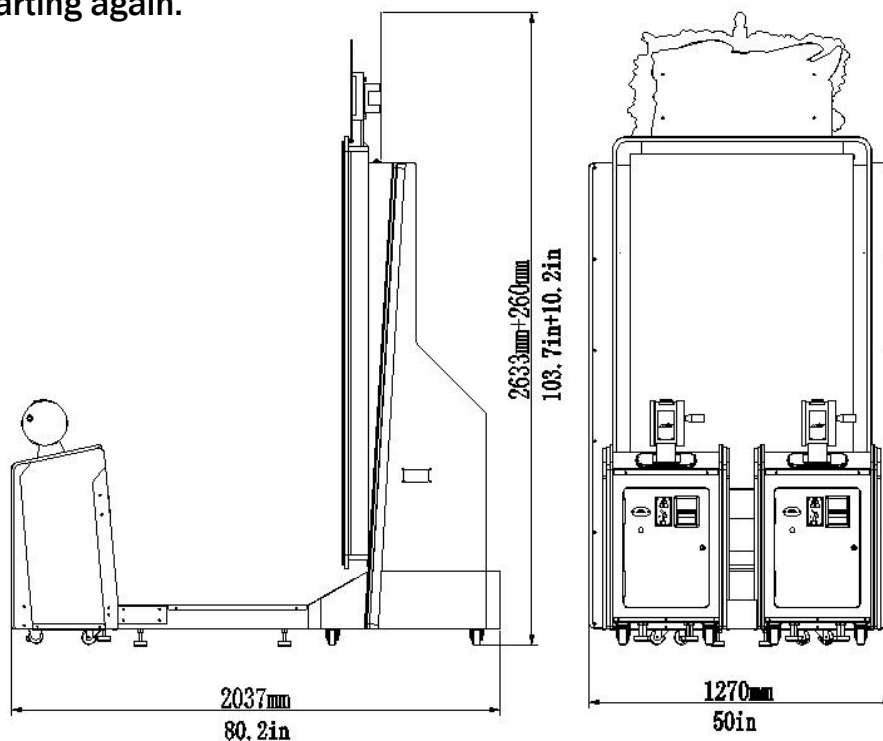
Weight: Approximately 743 lb

Approximately 337 kg

Part No: T143

Model No: C-538

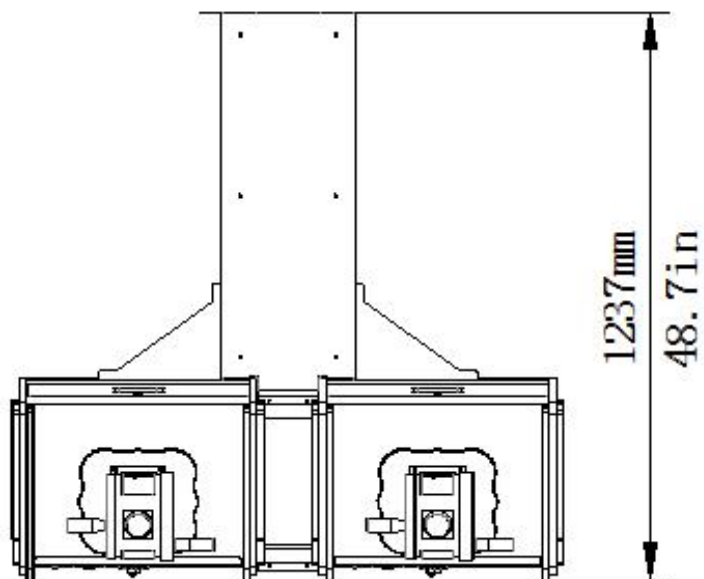
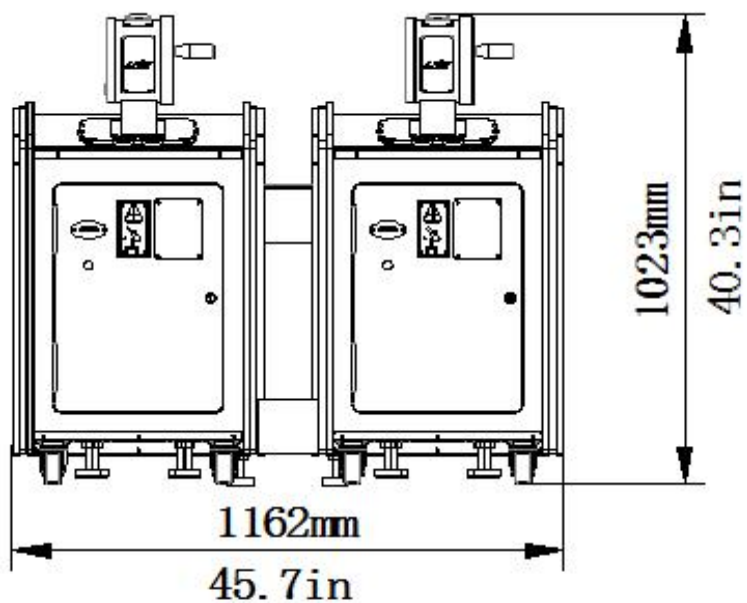
 **NOTICE:** After turning off the game, please wait at least 1 minute before restarting again.



Note: Game specifications are subject to change without notice.

This machine will be divided into two parts during transportation.

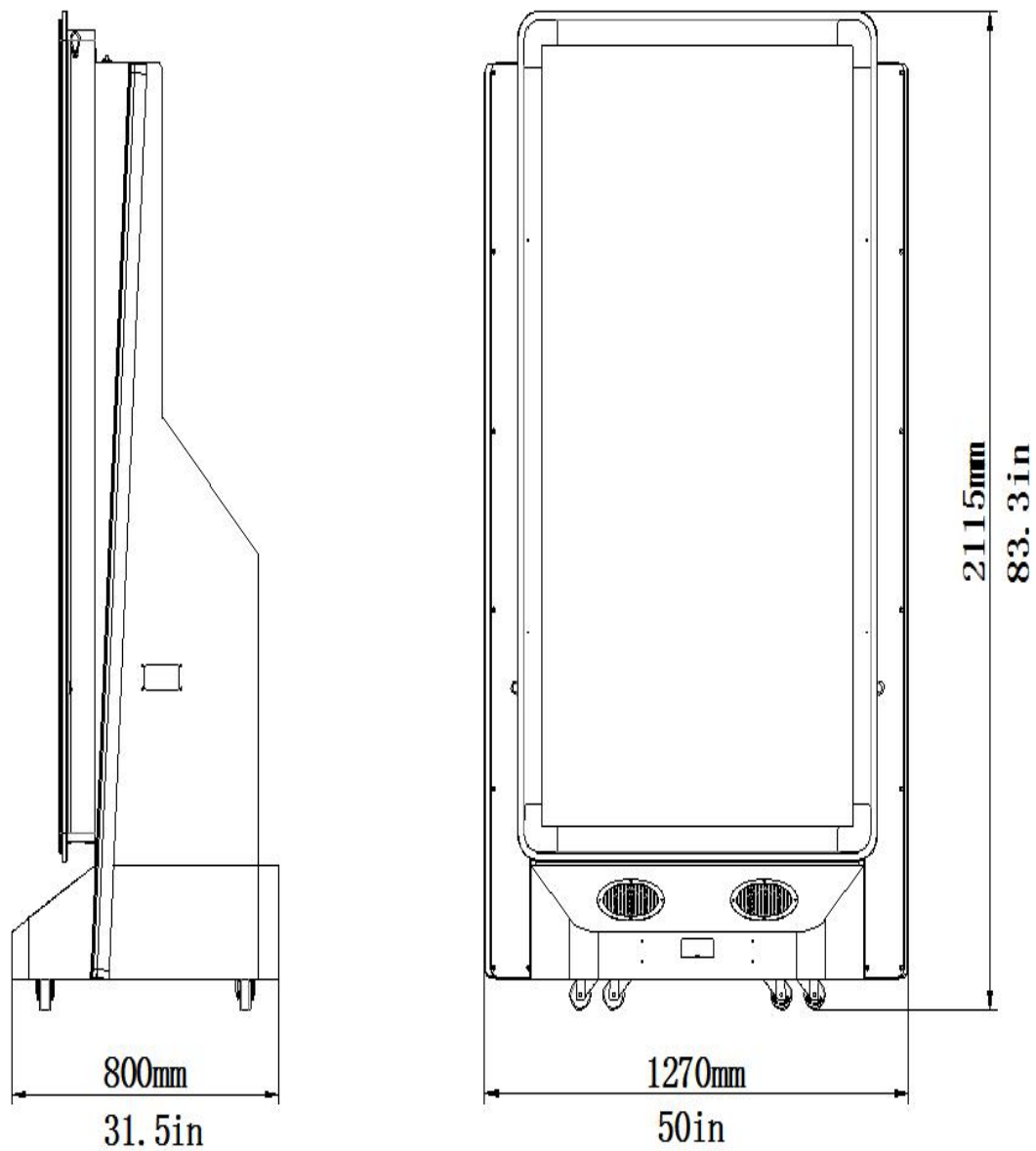
Control Panel Assembly



Dimension: W45.7×D48.7×H40.3 (in)

W1162×D1237×H1023 (mm)

Monitor Assembly



Dimension: W50×D31.5×H83.3 (in)






W1270×D800×H2115 (mm)

Note: Game specifications are subject to change without notice.

2. CONTENTS OF THE ACCESSORY KIT

Open the package and make sure all the items are included:

1. Following accessories

No.	Part No.	Code	Name	Picture	Qty
1	T143-801-000	25300171002	Key		2
2	T143-802-000	25300172002	Key		2
3	T143-805-000	41440000260	Manual		1
4	T143-804-000	23301000001	Power cord		1
5	T143-408-000	21901000030B	Fuse		1

Note: Screws used to install the machine are placed in coin box.

NOTE: Part models are subject to change without notice.

3. PART NAME

Key Components



4. SET UP & INSTALLATION

! NOTICE

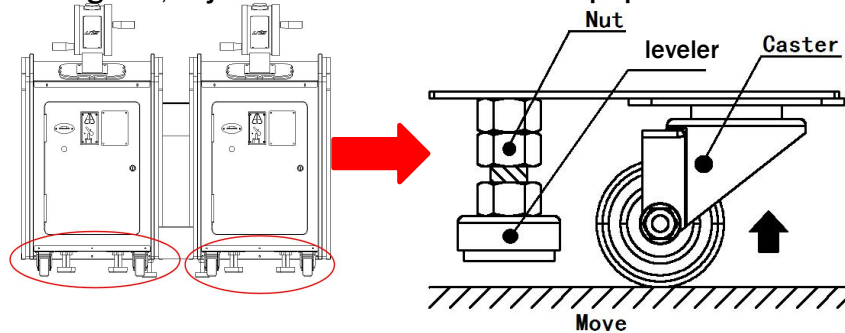
We do not recommend using power tools as they may cause damage.

! **This product is an indoor game machine. Do not install outdoors.**

- Refer to IMPORTANT SAFETY INSTRUCTIONS (Pg. 3) for places to avoid
- Place the unit on a dry level surface
- Ventilation openings in the back of the unit must not be obstructed by objects or by wall.

4.1 Transporting the Game

If you need to move the game, adjust the levelers back to an “up” position.



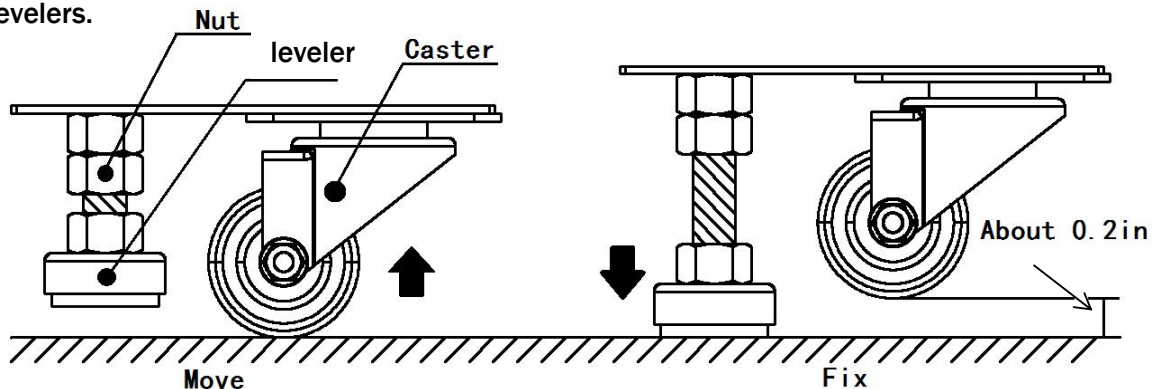
! NOTICE

- Be careful not to damage the machine during transport.
- Always unplug the game before moving.
- Keep the machine in upright position during transport.
- For longer distance transport, package the game properly to prevent damages.

4.2 Level Adjustment

Install this game on a flat surface. If the game is installed on an unsuitable floor, it could cause game malfunction.

To secure the game, loosen the nut, utilize wrench to adjust the leveler down until it touches the floor, lifting the casters off the ground by 0.2 in. Repeat the same for all levelers.



! NOTICE

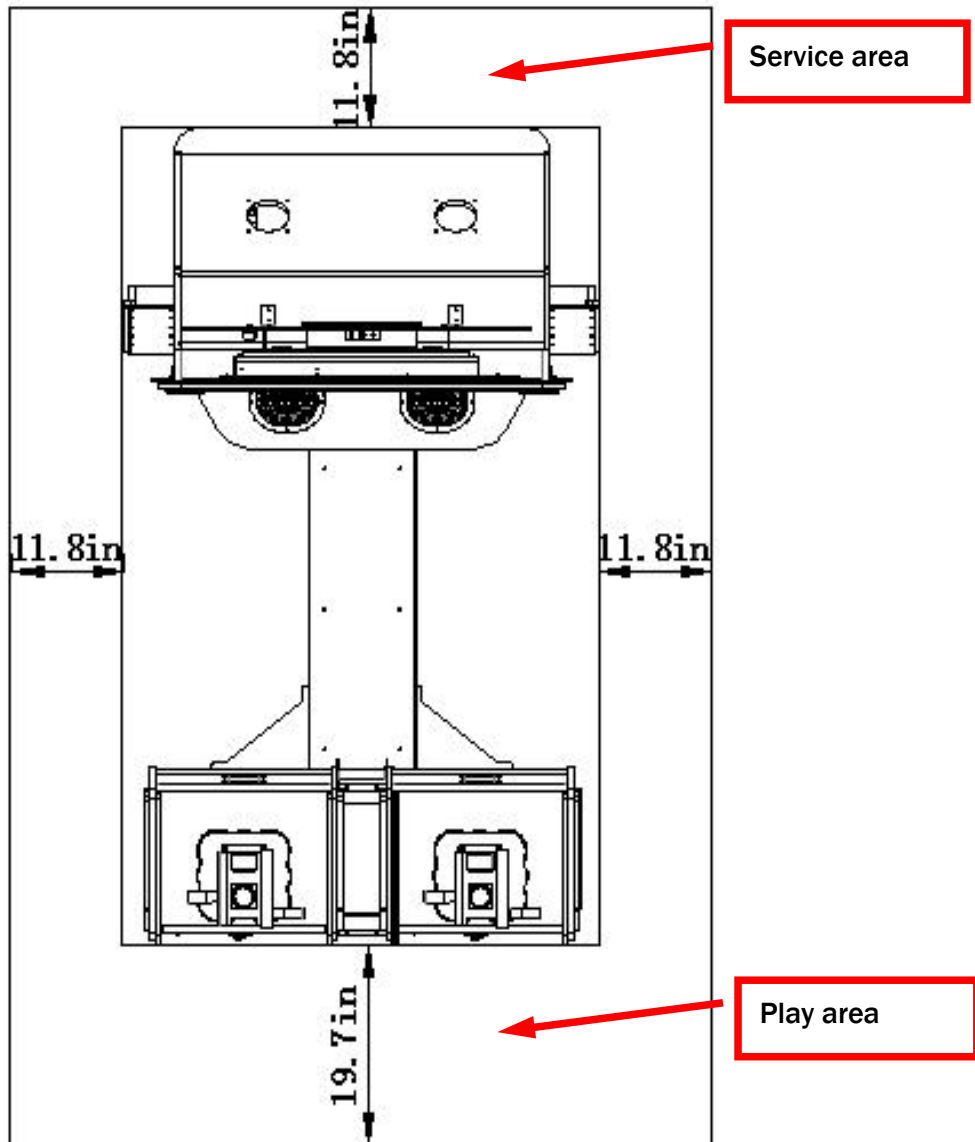
Make sure the machine is level.

4.3 Play Zone

This machine requires space for playing and for maintenance as shown below.

Leave space around the game upon installation:

Service area: 11.8 in




Service area






Play area

4.4 Machine Installation

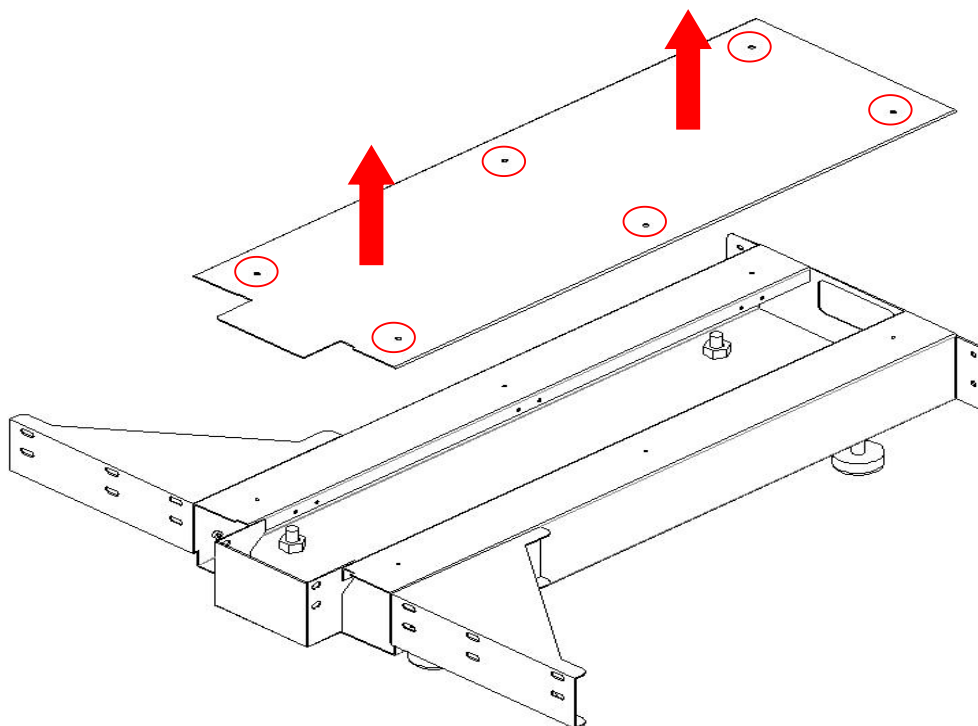
Before processing with assembly assure you have the following tools.

No.	Name	Picture
1	Phillips screwdriver	

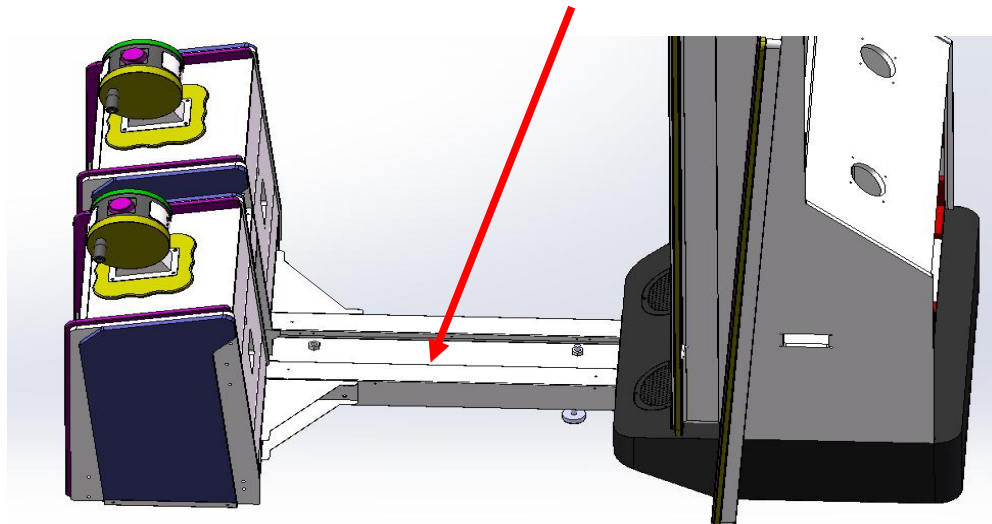
4.4.1 Cabinet Connector Installation

No.	Name	Picture	QTY
1	Control panel to back box connector		1
2	Connector box		2
3	Cross recessed hexagon screws set (M6X25)		16
4	Cross recessed hexagon screws set (M6X16)		12
5	Hexagon socket button head screws (M4X10)		4

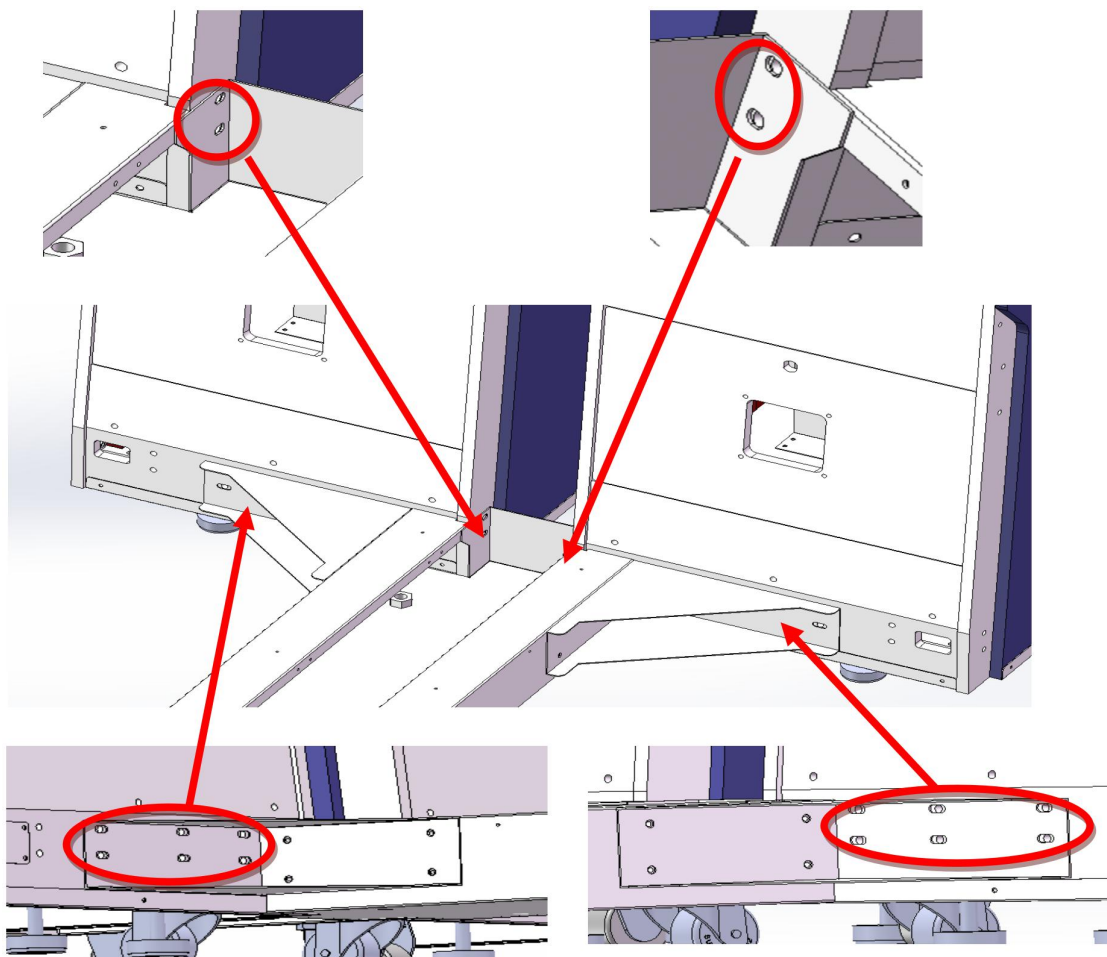
Step 1 Utilize screwdriver to remove screws and take cover off.



Step 2 Install Connector between Control panel assembly and Wooden case assembly.

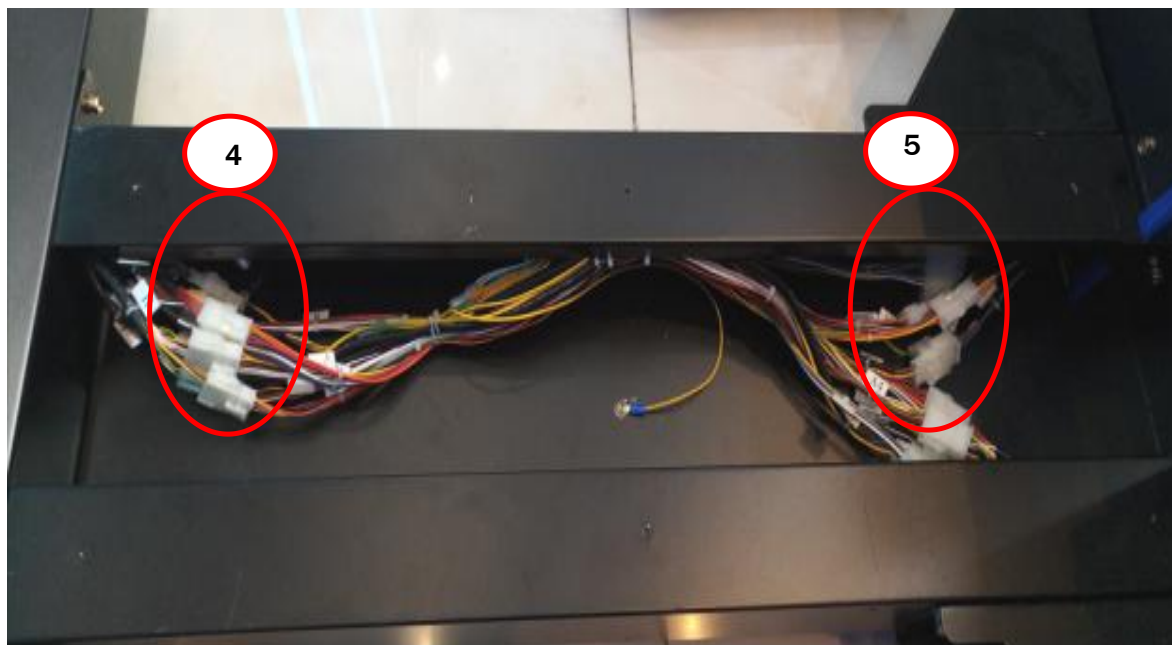


Step 3 Utilize cross recessed hexagon screws set (M6X25) to connect the Control panel assembly.

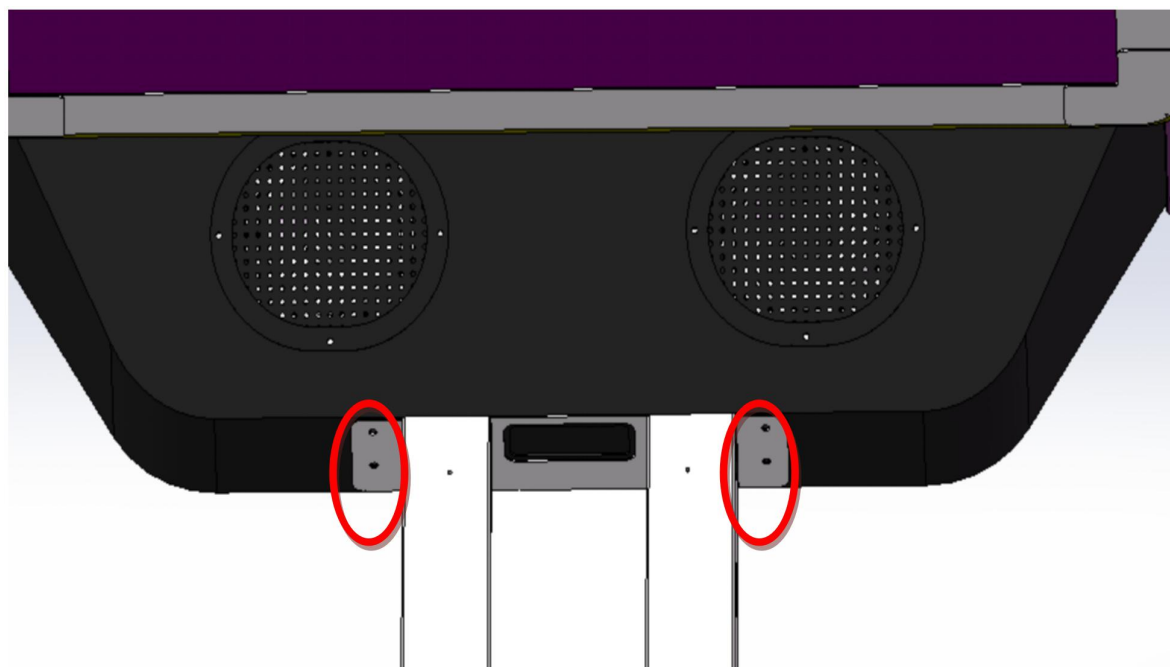


Step 4 Connect wires according to the labels. Labels: D,E,F,G,H,I,J,K

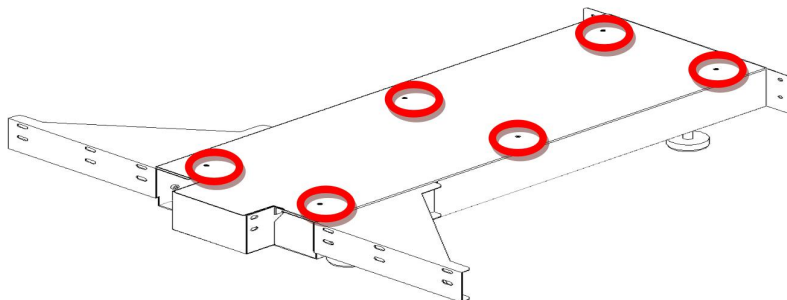
Step 5 Connect wires according to the labels. Labels: A1,A2,A3,A4,A5,B1,B2,B3,B4,B5



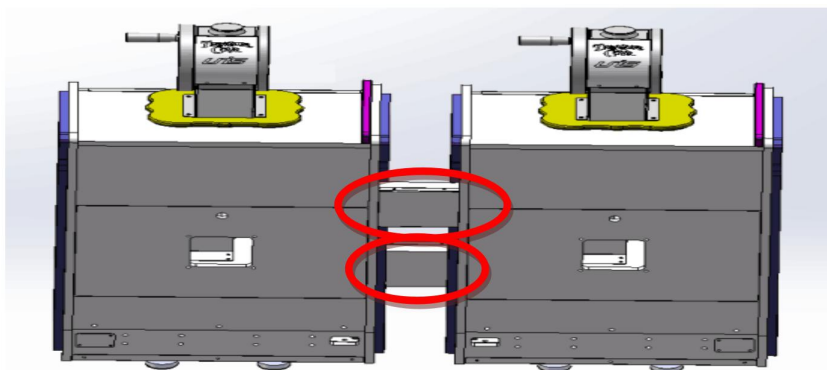
Step 6 Utilize cross recessed hexagon screws set (M6X16) to secure the Connector to the cabinet.



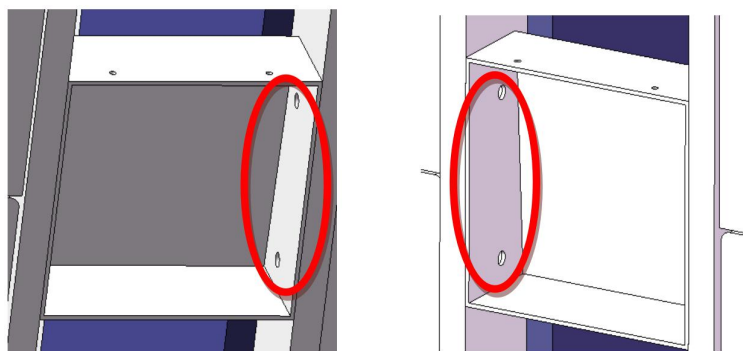
Step 7 Utilize cross recessed hexagon screws to secure the cover.



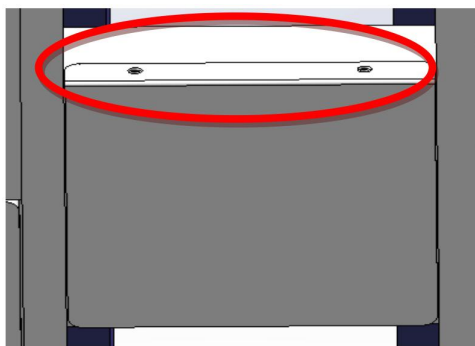
Step 8 Place two Connector boxes between the Control panel assemblies.








Step 9 Open Connector box and utilize cross recessed hexagon screws set (M6X16) to install the Connector boxes to the cabinets.



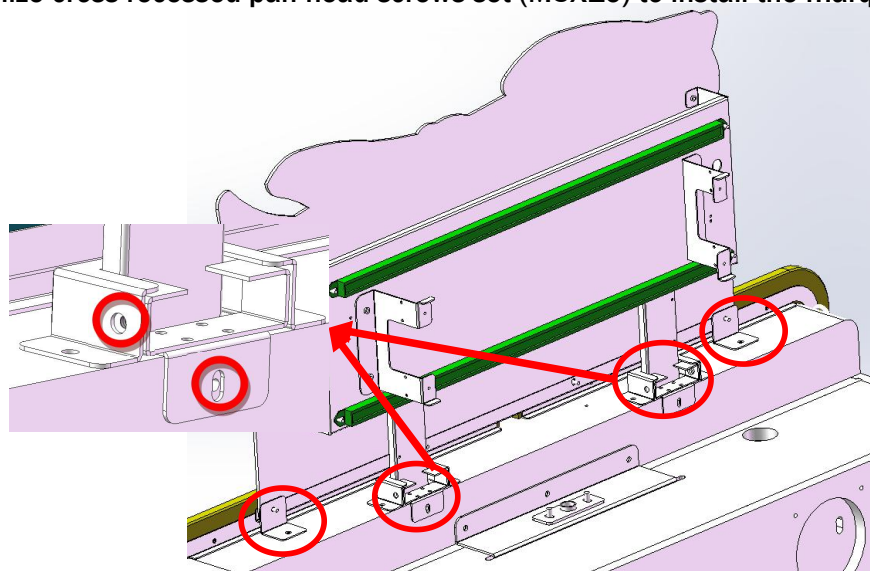
Step 10 Close Connector box. Utilize hexagon socket button head screws (M4X10) to fix the connector box.



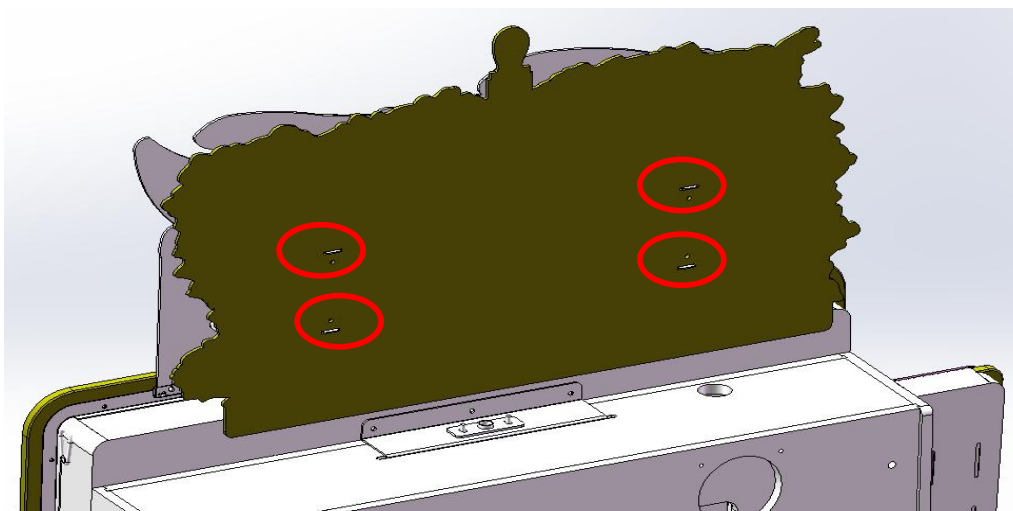
4.4.2 Marquee Installation

No.	Name	Picture	QTY
1	Marquee		1
2	Marquee plate		1
3	Cross recessed pan head screw set (M5X10)		6
4	Cross recessed pan head screw set (M4X12)		4
5	Washer C (φ4)		4





Step 1 Utilize cross recessed pan head screws set (M5X10) to install the marquee.



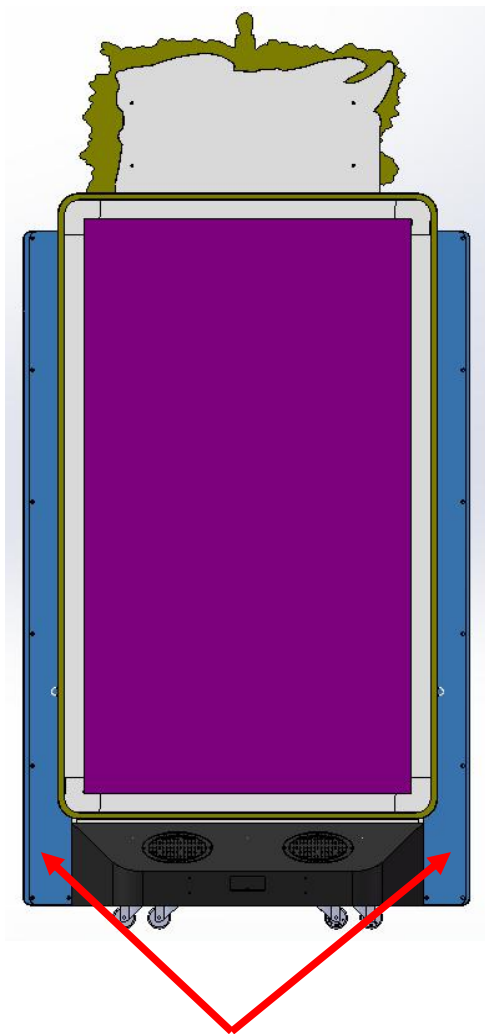
Step 2 Utilize cross recessed pan head screws set (M4X12) and C washer (φ4) to fix marquee plate.



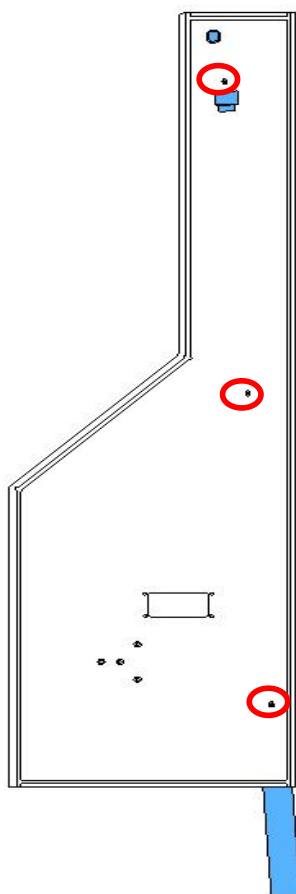
4.4.3 Side Light Plate Installation

No.	Name	Picture	QTY
1	L side light plate		1
2	R side light plate		1
3	Cross recessed pan head screw set (M5X25)		6
4	Stainless steel chain		2

Step 1 Install light plate on both sides.



Step 2 Utilize cross recessed pan head screws set (M5X25) to fix the side light plate.



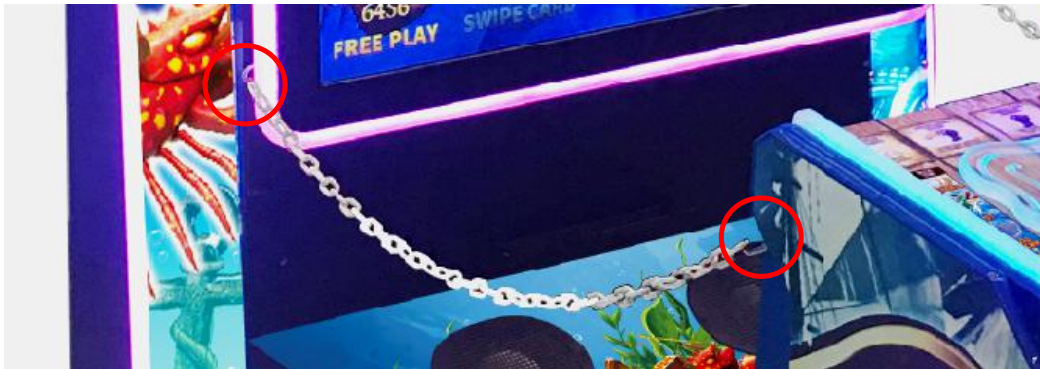
Step 3 Connect side light strip wires according to the labels. Labels: C1, C3.

Step 4 Connect L side light plate GND(red) to the GND (red).

Step 5 Connect R side light plate GND(red) to the GND (red).

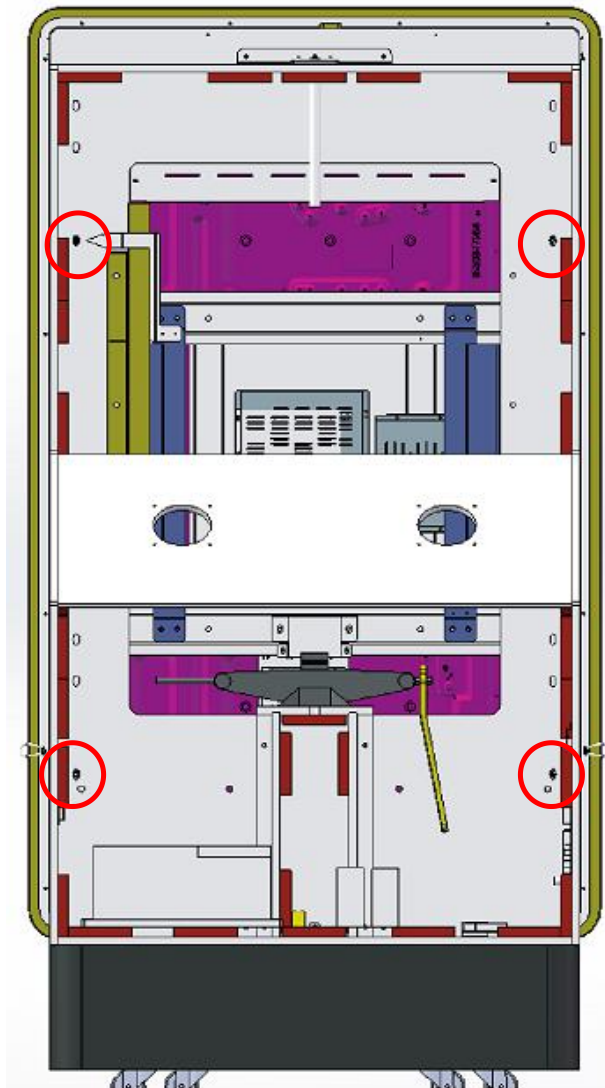


Step 6 Install stainless steel chain on the hooks of Control panel assembly and Wooden case assembly.



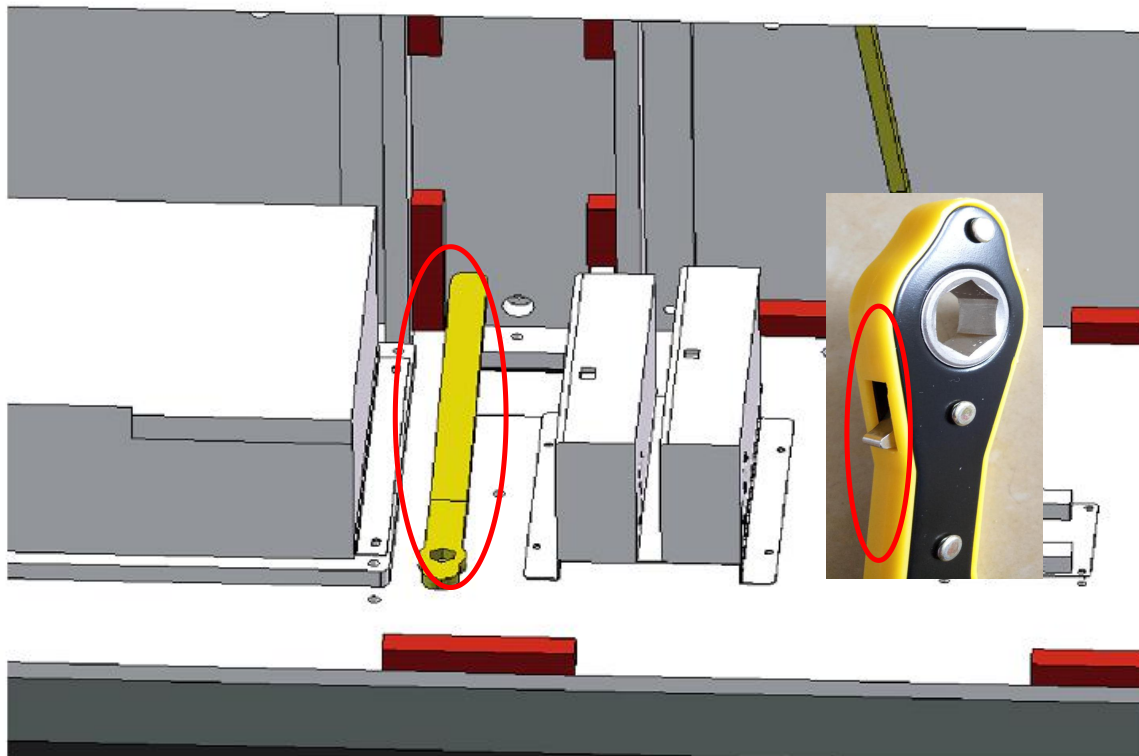
4.4.4 Monitor Lifting Up Instruction

Step 1 Open the back door and remove 4 screws.

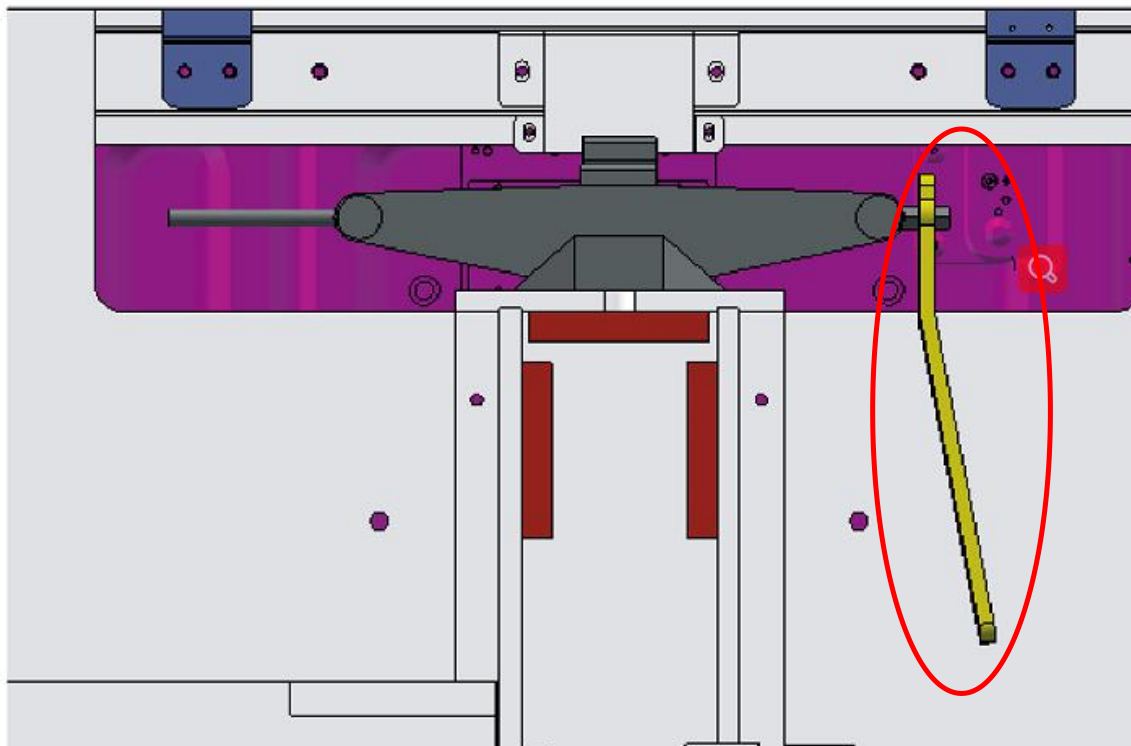


Step 2 Remove screws to take the wrench out and set the block position.

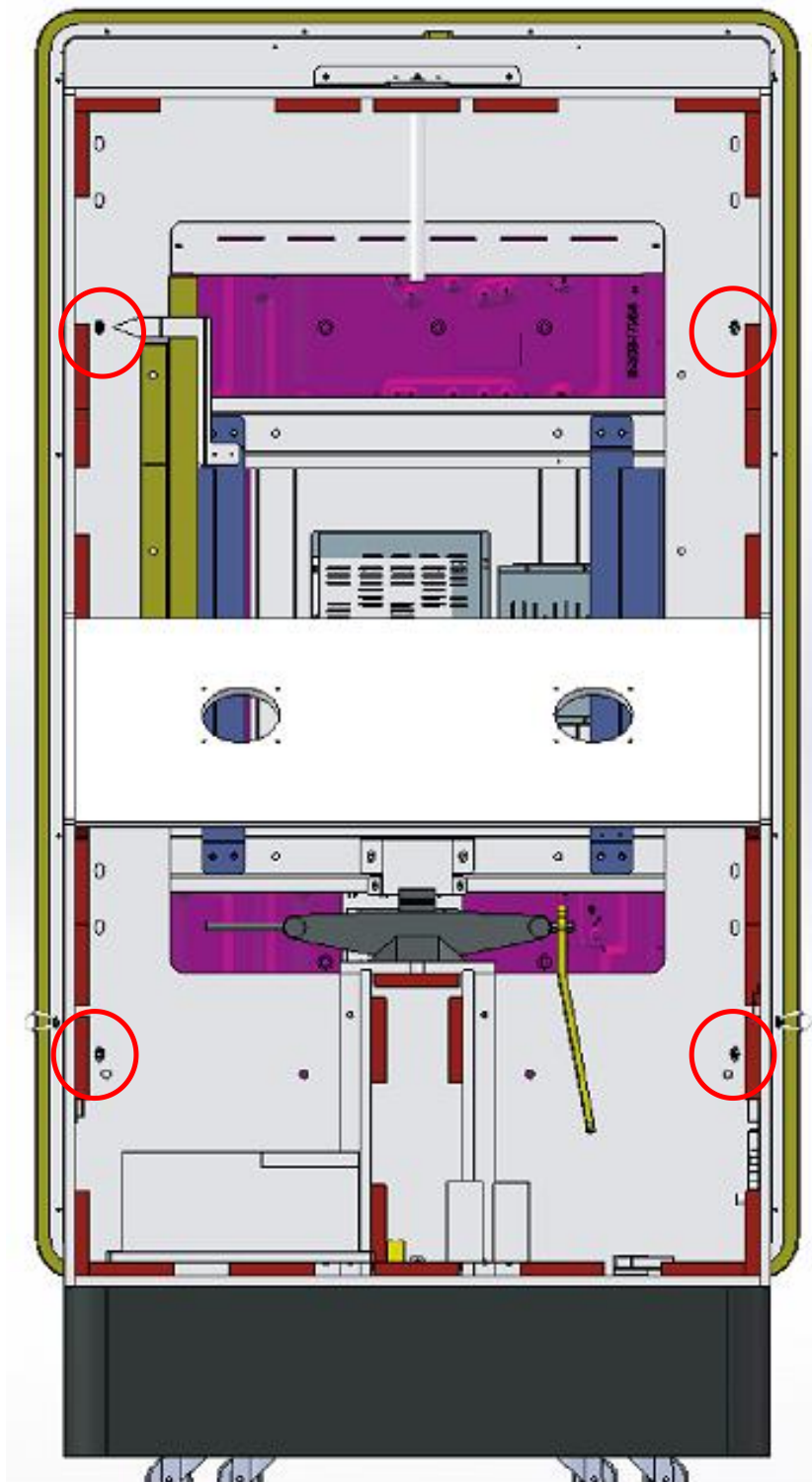
Note:Up=monitor up(as shown above) Down=monitor down



Step 3 Turn the wrench to lift the monitor up or down.



Step 4 Insert screws when the monitor is reach to the required position.

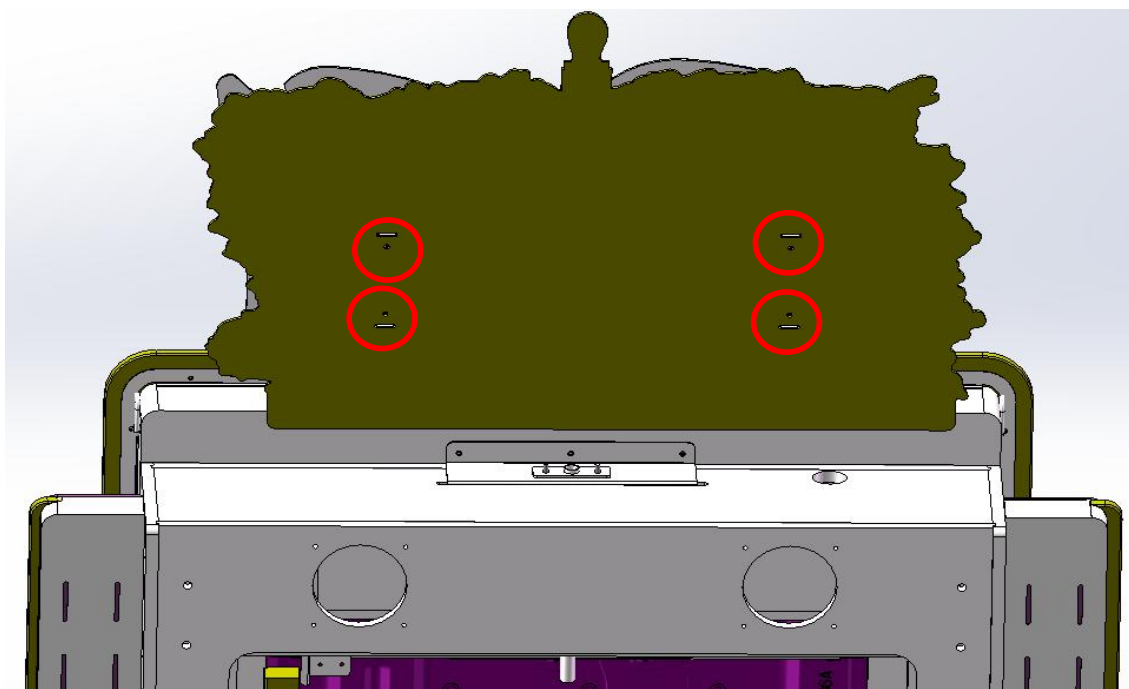


4.5 Monitor Replacement Installation

Step 1 Remove stainless steel chain.



Step 2 Remove screws and take marquee plate off.



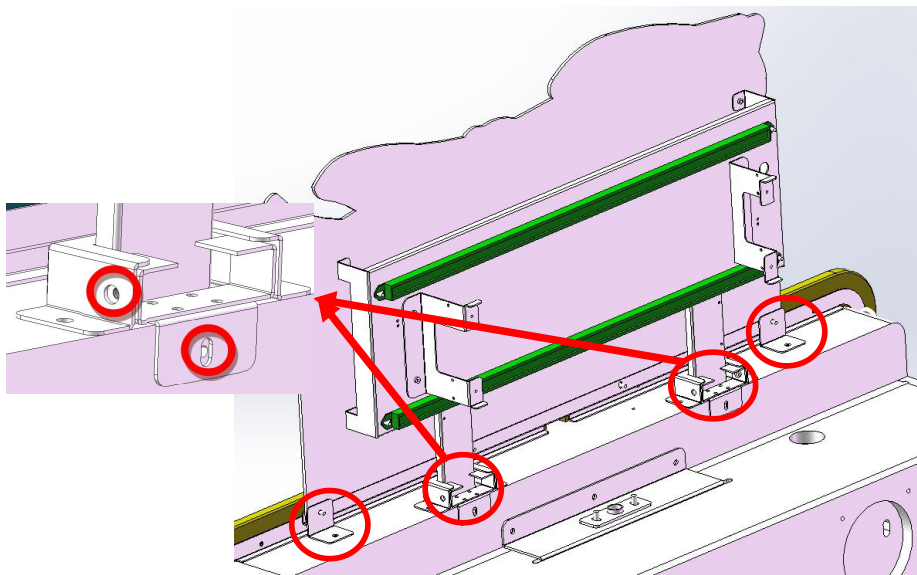
Step 3 Unplug upper marquee wires according to the labels. Labels: C2



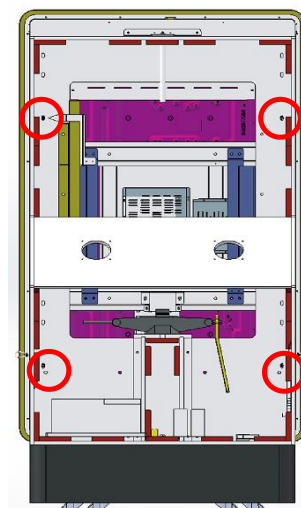
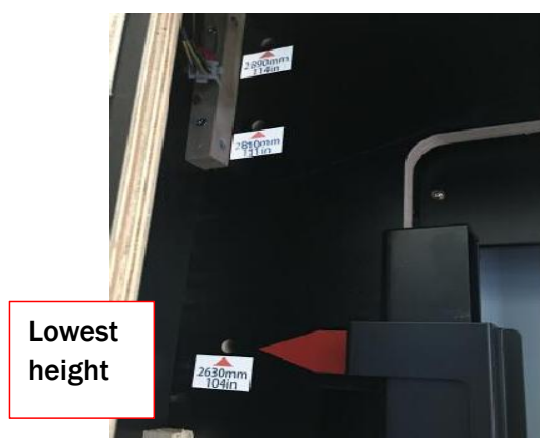
Step 4 Unplug monitor light strip wires according to the labels. Labels: C4,C5



Step 5 Remove screws and take marquee off.

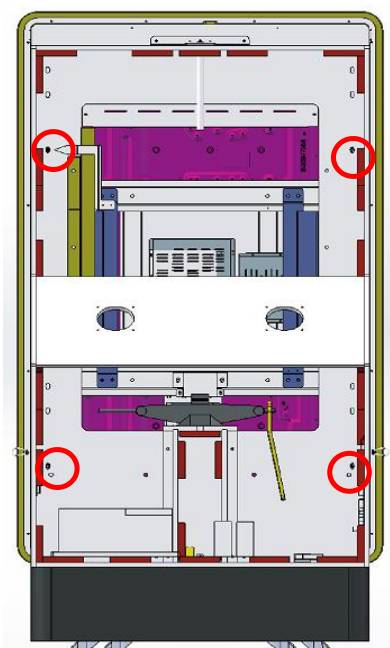


Step 6 Open the back door. If the monitor height is on the lowest height, please loosen the screws as shown below.



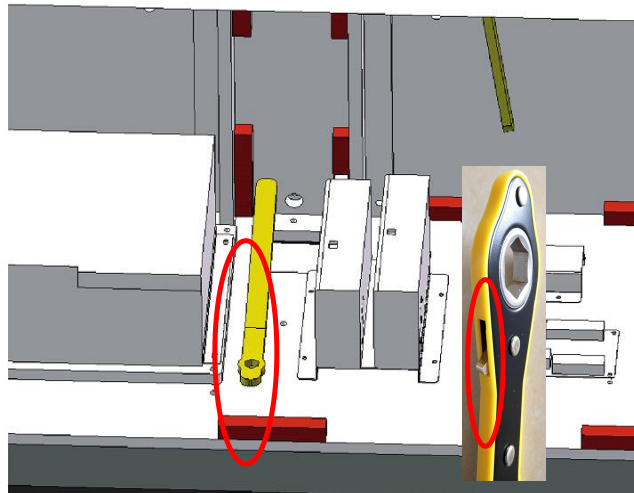
Note: If the monitor height isn't on the lowest height, please follow the following operations to adjust the monitor.

1. Open the back door and remove 4 screws.

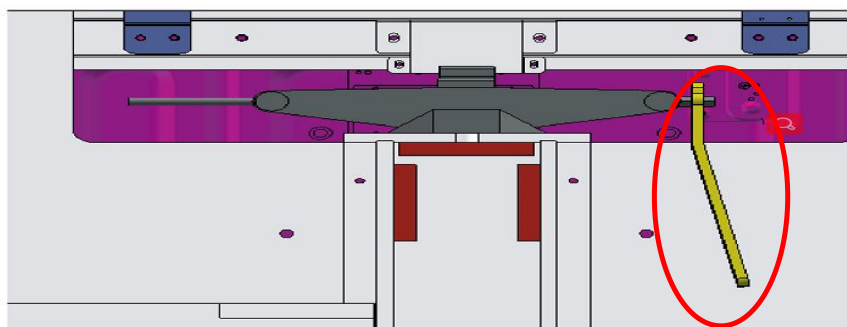


2. Remove screws to take the wrench out and set the block position.

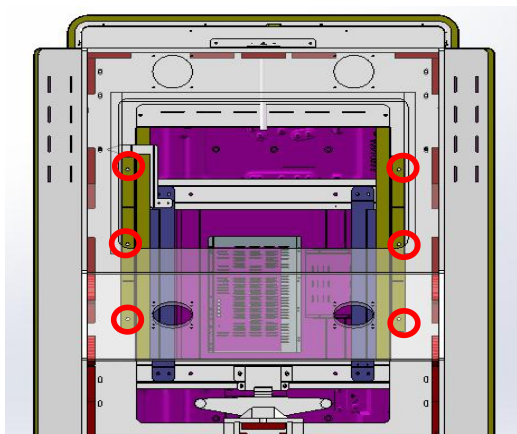
Note: Up=monitor up (as shown above)
Down=monitor down



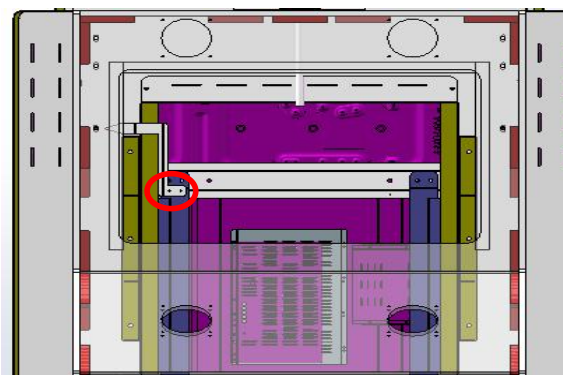
3. Turn the wrench to lift the monitor down.



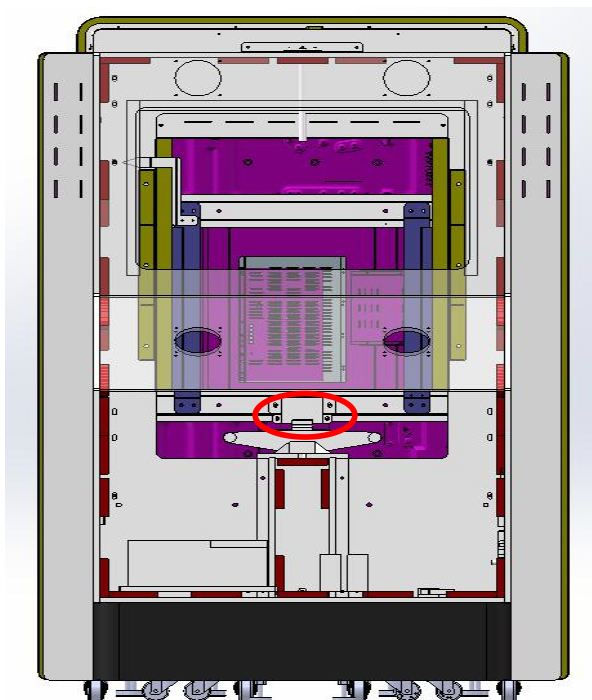
Step 7 Remove six screws as shown below and take monitor fixed plate off.



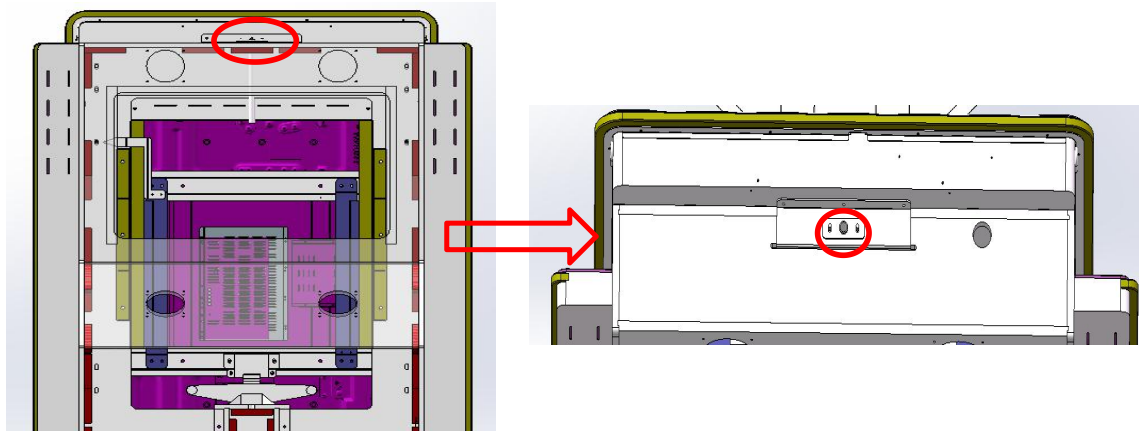
Step 8 Remove two screws as shown below and take point plate off.



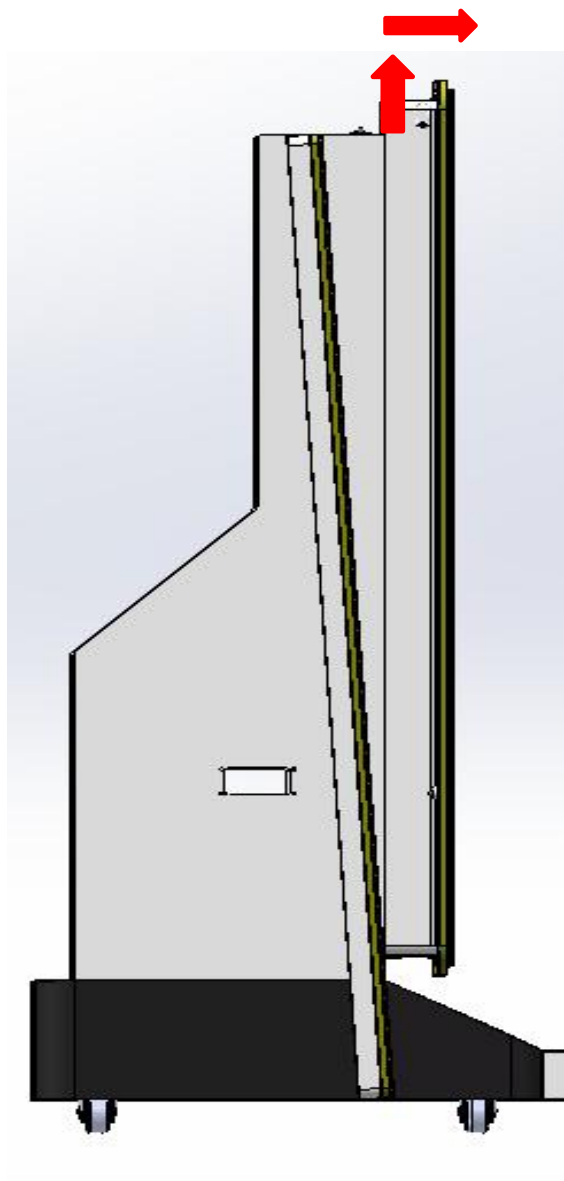
Step 9 Remove four screws as shown below and take jack upper plate off.



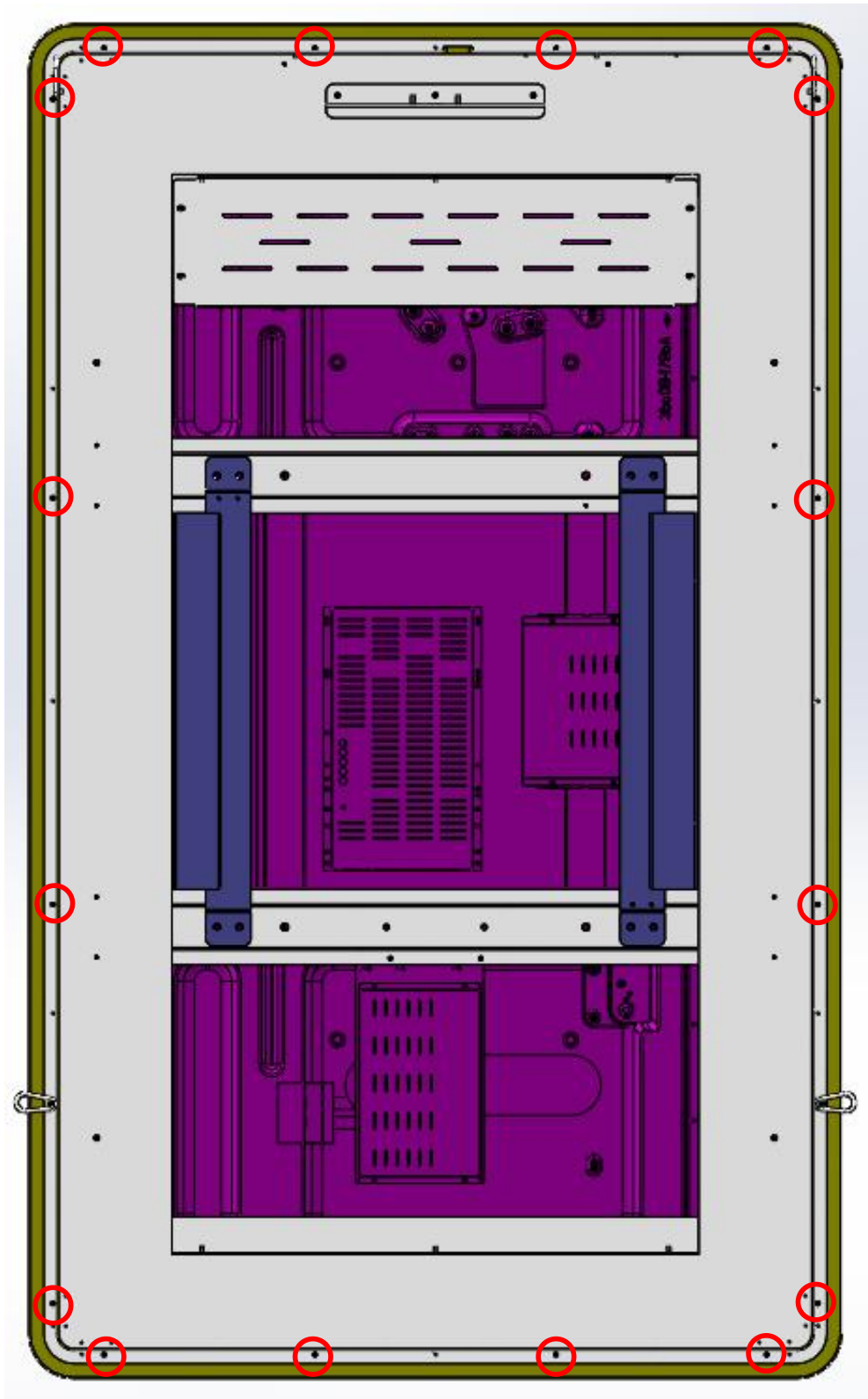
Step 10 Remove nuts and take monitor centralizer off.



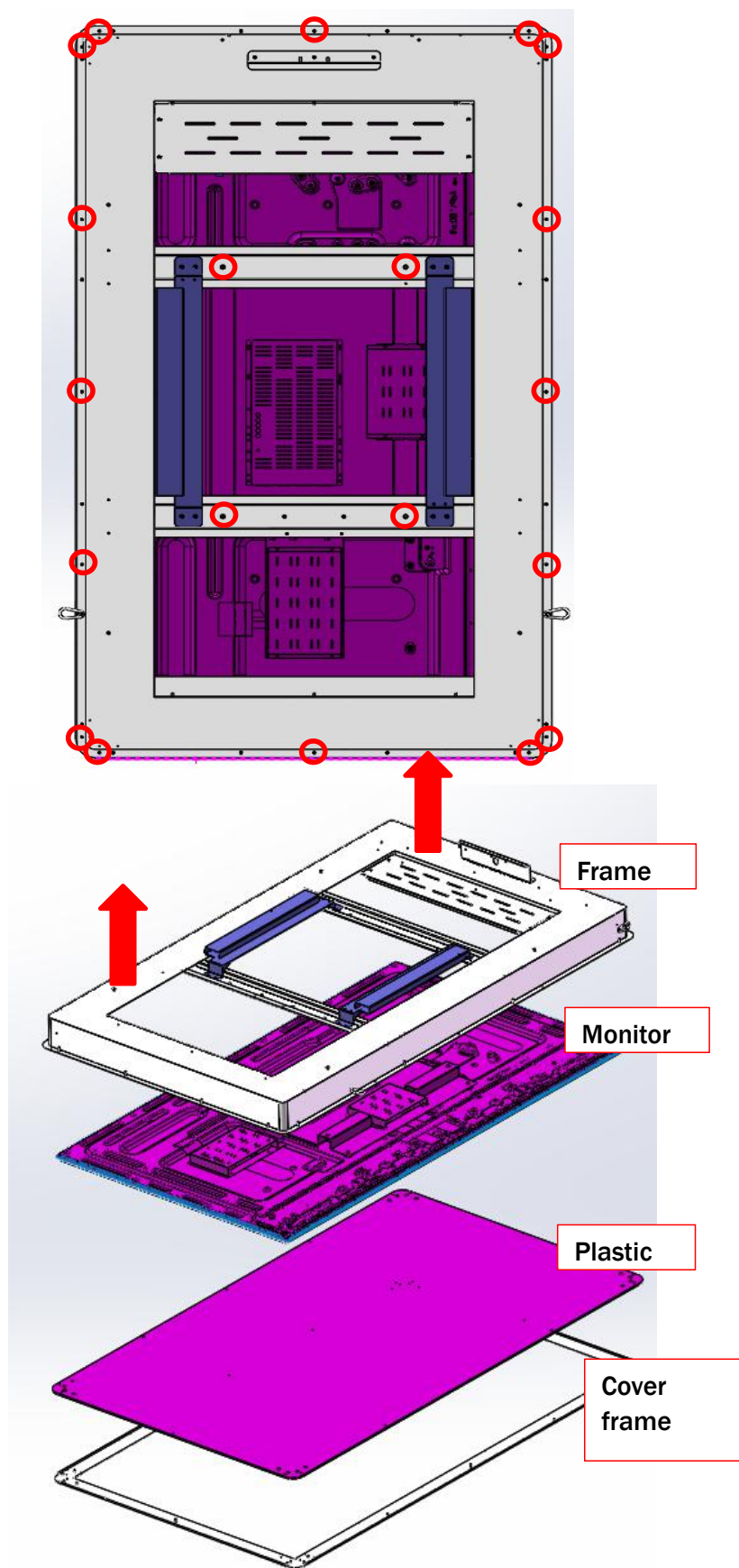
Step 11 Lift monitor assembly about 1.5 inch up and pull out.



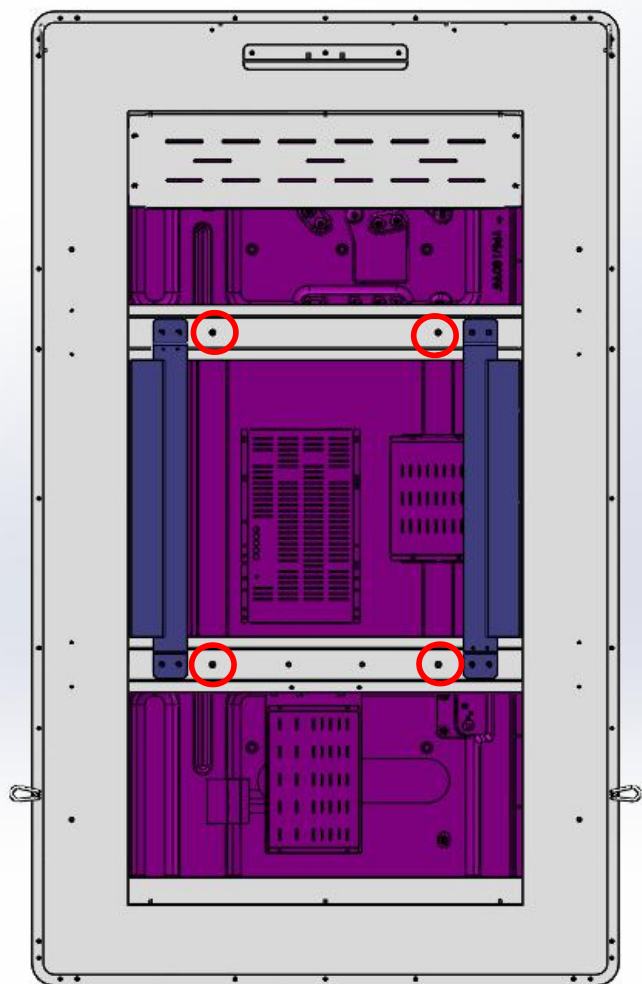
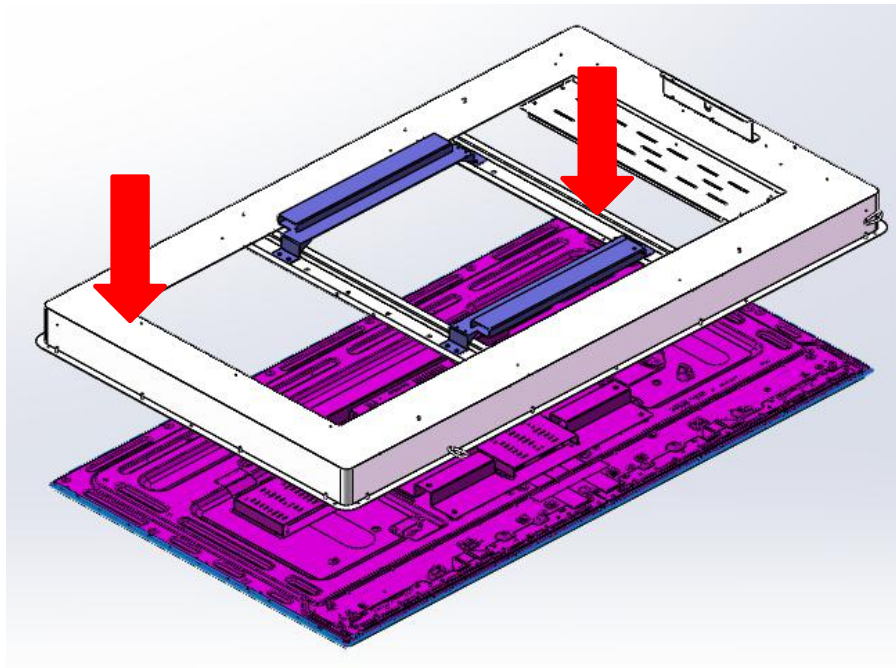
Step 12 Remove monitor screws and take pressing plate and light strip off.



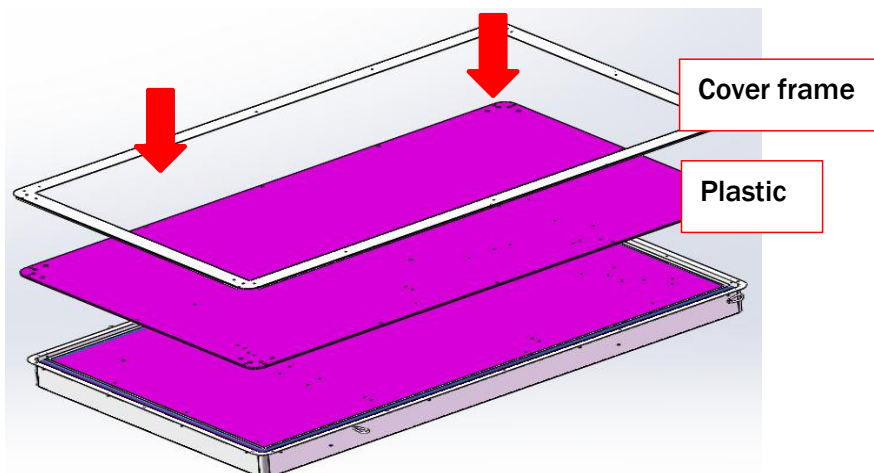
Step 13 Remove monitor screws and nuts as picture shown below. Remove frame, monitor, plastic and cover frame in order.



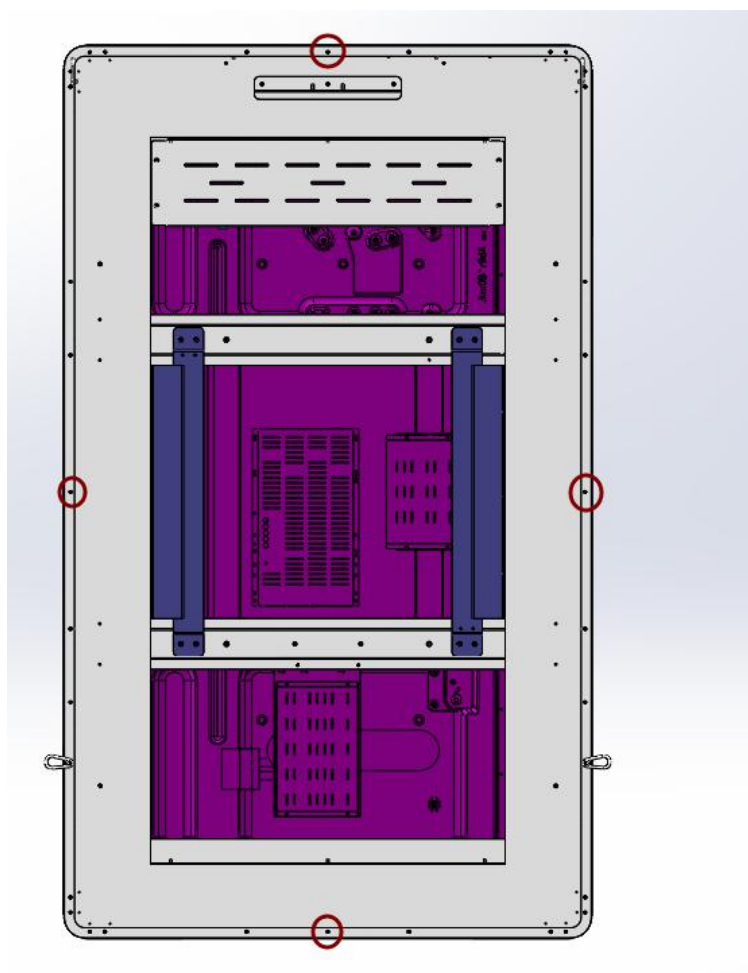
Step 14 Place frame on the new monitor. Utilize screws to secure frame.



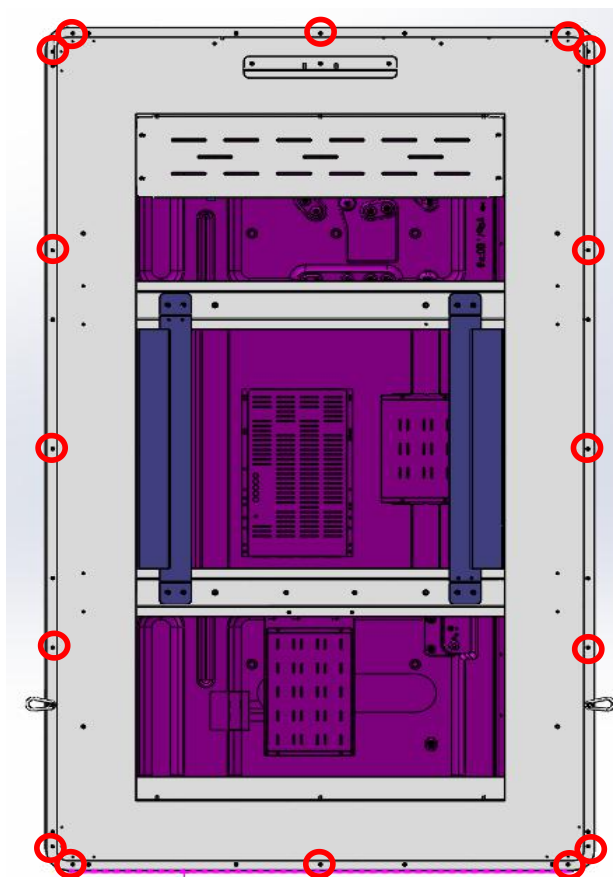
Step 15 Turn over the frame, place plastic and cover frame in order.



Step 16 Utilize nuts to secure plastic and cover frame to prevent the plastic and cover frame from falling when turning over.



Step 17 Turn over and utilize screws to secure.



The rest installation method of monitor please refer to Step 1-Step 12 in reversed order.

Finish!

5. HOW TO PLAY

5.1 Game Instruction

1. Insert coins or swipe card. Fishing rod will move left&right.



2. Aim for your target. Press the button to lower the hook.



3. Rotate the handle to reel in the fish.













4. Collect wooden, silver&golden treasure chests.



5. Collect all 4 pieces of the flag to summon the ghost pirate treasure ship.

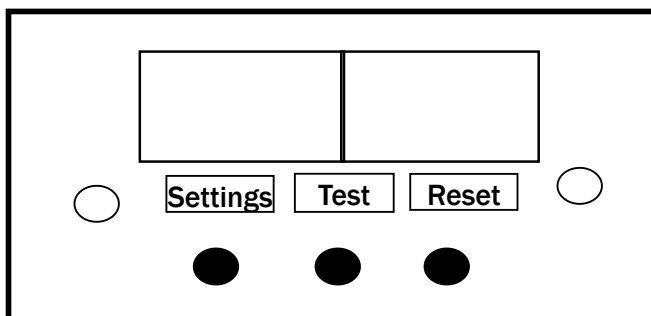


5.2 Special Item Instruction

Picture	Name	Instruction
	Jelly Fish	It will split into 4 tiny jellyfish. Need to catch again after splitting. The points or tickets of the tiny jellyfish are the same as the small fish A.
	Eel	Speed up the hooks.
	Monster Grouper	Eat treasure chest to upgrade. Each upgrade will increase its size and more tickets.
	Octopus King	It can catch fish when it goes up.
	Edestus	Increase the speed of lower the hook and the speed of close the hook within seconds.
	Lobster King	Get a big prize.
	Gold Anchor	The hook becomes an anchor and can catch many fish.
	Fishing Net	The fishing net open and catch a range of fish.
	Horn	Summon a super big fish to eat the top 2 layers of fish.
	Map	Collect all 4 pieces of the map to summon little game. There are two small game: 1. Mini Game Treasure Box. 2. Shell game. (Shell Game will only start when 2 people play.)

6. GAME OPTION

6.1 Adjustment button instruction



Open the coin door and there is a meter panel. Press Settings button to enter the setting menu.

6.2 Setting menu

6.2.1 Main Menu

Basic Setting
Customized Setting
Input Test
Output Test
Game Reset
Date/Time Setting

Language
Bookkeeping
Resistance And Shock Setting
Daily Record
About This Game
Back to Game

6.2.2 Basic Setting

Free Play	OFF/ON
Tickets Out	OFF/ON
Demo Music	OFF/ON
Memory Save	OFF/ON
Volume	0-10(10)
Payout ON/OFF	OFF/ON
Out of Tickets	Store in memory/Call Attendant
Back & Save	
Back	

6.2.3 Customized Setting

Game Mode	*Ticket Mode/**Point Mode
Start Count Down	0-9(3)
Back&Save	
Back	

6.2.3.1 *Ticket Mode Setting






Game Coins		1-5(1)
Round Mode		Time Mode/Hook Mode
Round Time		10-40(15)
Round Hooks		1-10(6)
Average Payout		10-60(40)
Small Fish A Tickets		/
Small Fish B Tickets		/
Medium Fish A Tickets		/
Medium Fish B Tickets		/
Big Fish A Tickets		/
Big Fish B Tickets		/
TreasureBox A Tickets		/
TreasureBox B Tickets		/
TreasureBox C Tickets		/

Mini Game Treasure Box A Tickets		/
Mini Game Treasure Box B Tickets		/
Mini Game Treasure Box C Tickets		/
Shell Game Pearl A Tickets		/
Shell Game Pearl B Tickets		/
Shell Game Pearl C Tickets		/
Lobster King Tickets		300-1000(500)

Note: The number of tickets are decided by the number of coins, game time and hooks in each round.

6.2.3.2 **Point Mode Setting

Game Coins		1-5(1)
Round Mode		Time Mode/Hook Mode
Round Time		10-4(15)
Round Hooks		1-10(6)
Small Fish A Points		1-200(1)
Small Fish B Points		1-200(6)
Medium Fish A Points		1-200(10)
Medium Fish B Points		1-200(20)
Big Fish A Points		1-200(40)

Big Fish B Points		1-200(60)
TreasureBox A Points		1-200(30)
TreasureBox B Points		1-200(20)
TreasureBox C Points		1-200(10)
MiniGame TreasureBox A Points		1-200(10)
MiniGame TreasureBox B Points		1-200(8)
MiniGame TreasureBox C Points		1-200(5)
Shell Game Pearl A Points		1-200(30)
Shell Game Pearl B Points		1-200(20)
Shell Game Pearl C Points		1-200(10)
Lobster King Points		300 - 1000(500)
0— 4 Points Get Tickets		1 - 1000(10)
5— 100 Points Get Tickets		1 - 1000(20)
101— 200 Points Get Tickets		1 - 1000(30)
201— 350 Points Get Tickets		1 - 1000(50)
351— 500 Points Get Tickets		1 - 1000(80)
500— 1000 Points Get Tickets		1 - 1000(100)
1001— 2000 Points Get Tickets		1 - 1000(200)

6.2.4 Input Test

Input Test			
	Test Button		OFF/ON
	Recovery Button		OFF/ON
	1P		2P
Cast Button	OFF/ON	2P Cast Button	OFF/ON
Reel Count	0_1	2P Reel Count	0_1
Input Coins	0_1	2P Input Coins	0_1
Press Settings Button to Back			

6.2.5 Output Test

Output Test			
	Screen Light		R/G/B
	Side Light		R/G/B
	1P		2P
Console Light	R/G/B	Console Light	R/G/B
Cast Button Light	ON/OFF	Cast Button Light	ON/OFF
Ticket Error Light	ON/OFF	Ticket Error Light	ON/OFF
Output 3 Tickets	ON/OFF	Output 3 Tickets	ON/OFF
Reel Resistance	0	Reel Resistance	0
Reel Shock	0	Reel Shock	0
Back			

6.2.6 Game Reset

Factory Restore
Reset Basic Setting
Reset Customized Setting
Clear All Records
Clear Remain Tickets
Clear Remain Coins
Clear Collected Map
Back

6.2.7 Date Time Setting

Year
Month
Day
Hour(24)
Minute
Second
Back & Save
Back

6.2.8 Language

Language	English/Chinese
----------	-----------------

6.2.9 Bookkeeping

Bookkeeping			
Player	Coins	Tickets	PayOut
1P	*****	*****	*****
2P	*****	*****	*****
3P	*****	*****	*****
Sum	*****	*****	*****
Back			

6.2.10 Resistance and Shock Setting

Small Fish Resistance	0-30
Medium Fish Resistance	0-30
Big Fish Resistance	0-30
Item Resistance	0-30
Small Fish Shock	0-30
Medium Fish Shock	0-30
Big Fish Shock	0-30
Item Shock	0-30
Back & Save	
Back	

6.2.11 Daily Record

Daily Record				
Date	Date	Coins	Tickets	Payout
*****	***	*****	*****	*****
*****	***	*****	*****	*****
*****	***	*****	*****	*****
Prev Page				
Next Page				
Clear				
Back				

6.2.12 About This Game

CPU
MotherBoard
HDD
RAM
Monitor
Screen
Version
Back

7. TROUBLESHOOTING


7.1 Common Problem

Please confirm that all connectors fit tightly.

Symptom	Possible Cause	Recommended action
Game will not start	Frame assembly connector is loose.	Check connector.
	Frame assembly fault	Contact with UNIS Service.
Power off	Circuit protector make power SW in off state.	Turn on power SW again. If appeared again and again, machine has anomaly. Please contact with UNIS Service.
Card reader not working	The connector is loose.	Check connector.
	Card reader fault.	Check with card reader manufacturer.
No ticket dispensing	Out of ticket.	Add ticket and press reset button
	Ticket jamming.	Remove the jammed tickets and press reset button.
	The connector is loose.	Plug the connector tightly.
No sound	Low volume	Raise the volume.
	Connector loose.	Check connector.
	Speaker fault.	Check speaker.
	POT installation error.	Install POT correctly.
	POT fault.	Change POT.
	Audio cable problem.	Reconnect the audio cable or change it.
	PC crash.	Restart or system recovery.
Display black screen	Check connectors.	Plug in connector tightly
	Display fault.	Utilize another source such as a PC to verify if the display is operational.
	RAM is loose.	Remove and reinsert RAM.
Display blue screen	PC power cord is loose	Check PC power cord whether is loose.
	VGA signal cable is loose.	Check VGA cable
	PC video card is loose.	Reset video card.
	“0X000000A” code appears. Conflict between computer drive and software.	Contact service

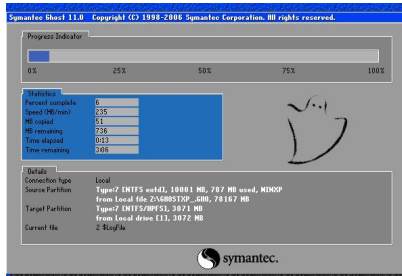
Note: After replacing component from pc (except for RAM), and replacing monitor, the game should be recovered again with the recovery stick attached to the machine.

If you see following error signs showing on the display, please try the recommended action.

Display	Possible Cause	Recommended action
	The connecting cable of IO board and PC is loose.	Please check and reconnect the loose cable of PC and IO board.
	Connecting cable quality problem.	Please change the cable after checking the connection between IO board and PC.
	IO board is faulty.	Please contact with service department for replacement of IO board.
	Cable was loose and disconnected during transportation.	Please check and reconnect the loose cable of PC and IO board.

7.2 System Recovery Operation **(NOTE: Do not disconnect power during this process.)**

1. Turn off the game. Remove recovery stick from the machine. (Note: This process may take up to 60 minutes) Insert the recovery stick into the port at the back of the computer.
2. Restart PC to enter the system recovery screen as shown.



3. The game will automatically start recovery.
4. Once system recovery is partially finished (as shown below), and the ICON appears, remove the recovery stick from the computer. The game will continue the install process.

OK to remove the recovery stick.



5. Assure that the recovery stick has been properly secured for future use.



WARNING: The recovery stick should only be used to fix software errors. Using it for other purposes may cause unexpected results and damages.

8. MAINTENANCE & INSPECTION

8.1 Safety Check

Check the points listed before operating the machine. These checks are necessary for safe machine operation:

1. Test game before operation each day.
2. Conduct monthly routine checks of game components to ensure good working condition
3. Check the machine regularly for dust and clean when necessary.

Note: Parts and components require preventative maintenance to maintain proper operation.

8.2 Handling Precautions

When installing or inspecting the machine, be very careful of the following points and pay attention to ensure that the player can enjoy the game safely.

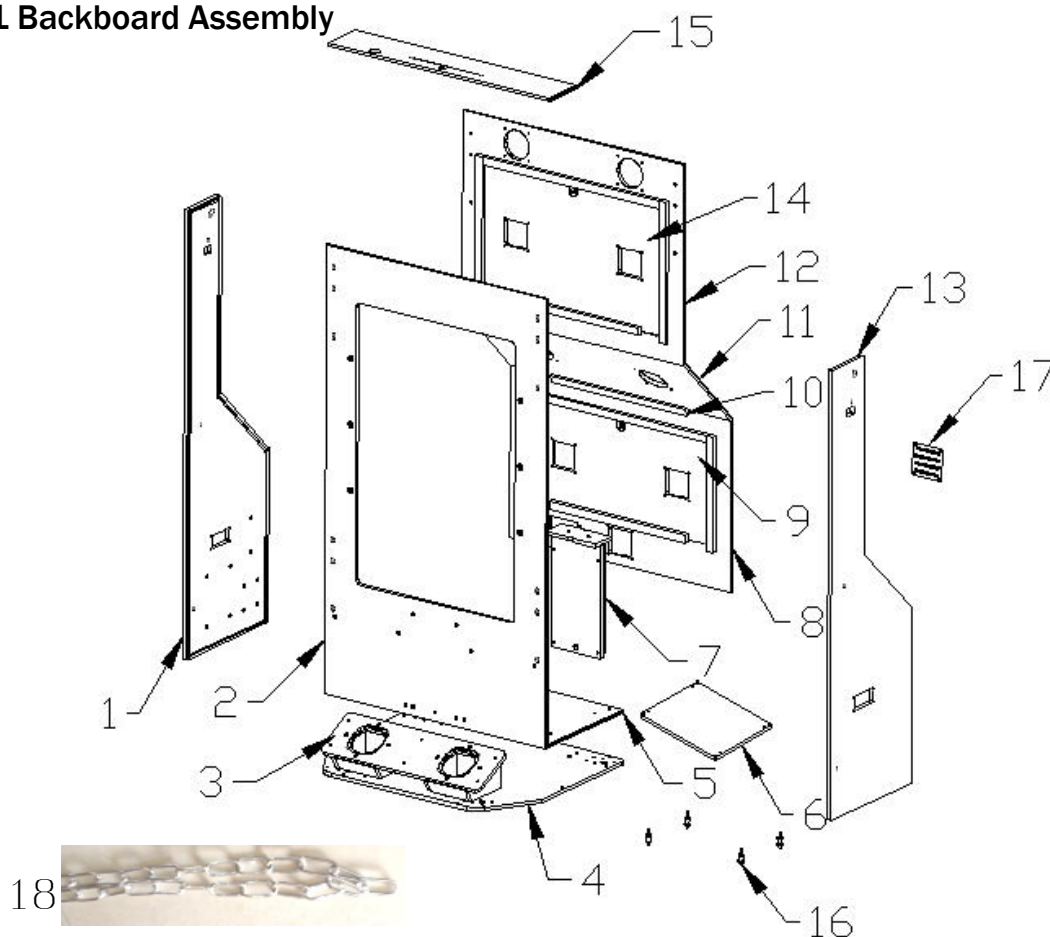
Non-compliance with the following points or inappropriate handling running counter to the cautionary matters herein stated can cause personal injury or damage to the machine

 **NOTICE**

We do not recommend using power tools as they may cause damage.

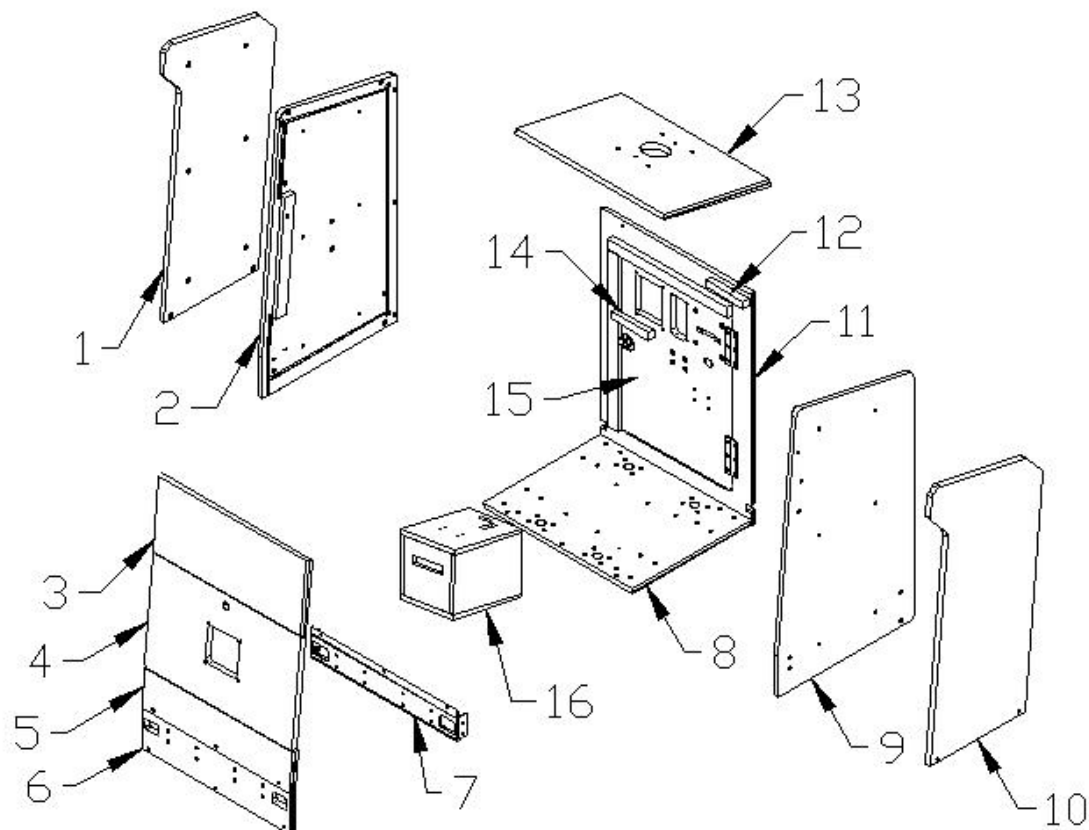
9. OVERALL CONSTRUCTION

9.1 Backboard Assembly



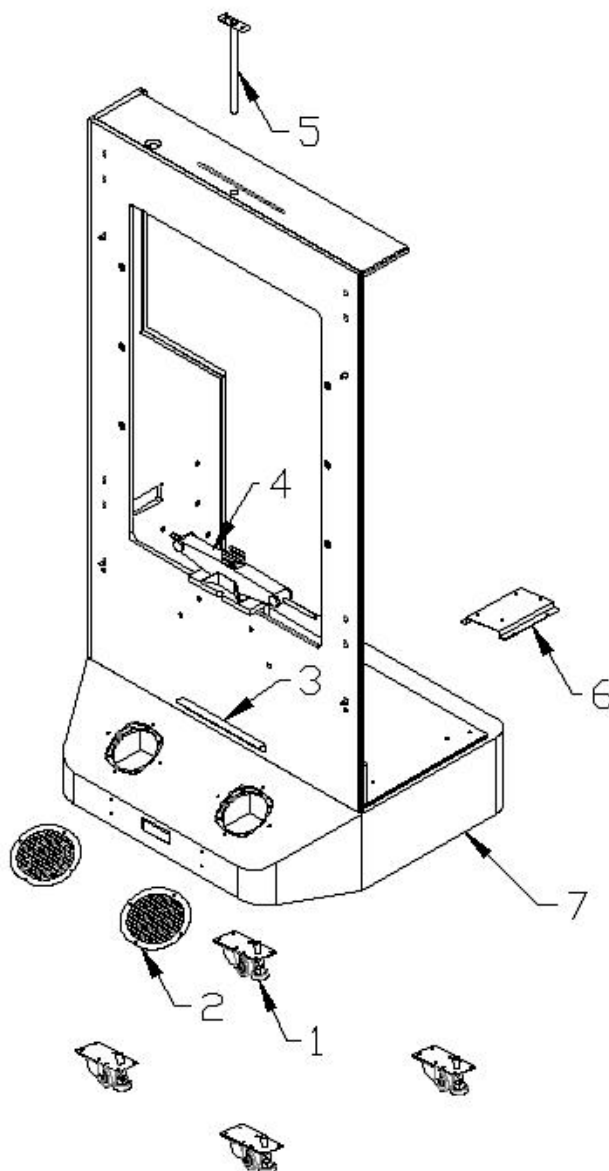
No.	Part No.	Code No.	Name	Qty
1	T143-524-000	20341808020	L side plate	1
2	T143-526-000	20341808022	Front plate	1
3	T143-534-000	20341808029	Speaker box	1
4	T143-523-000	20341808002	Bottom base plate	1
5	T143-527-000	20341808003	Base plate	1
6	T143-535-000	20341808030	PC mounting plate	1
7	T143-537-000	20341808004	Jack support plate	1
8	T143-528-000	20341808023	Back bottom plate	1
9	T143-529-000	20341808024	Back bottom door	1
10	T143-536-000	20341808031	Strengthening bar	1
11	T143-530-000	20341808025	Back middle plate	1
12	T143-531-000	20341808026	Back top plate	1
13	T143-525-000	20341808021	R side plate	1
14	T143-532-000	20341808027	Back top door	1
15	T143-533-000	20341808028	Top plate	1
16	T143-178-000	26000012000	Shakeproof screw A	4
17	T143-179-000	26000014000	Window shades	2
18	T143-120-000	26302010008	Stainless steel chain	2

9.2 Control Panel Box Assembly



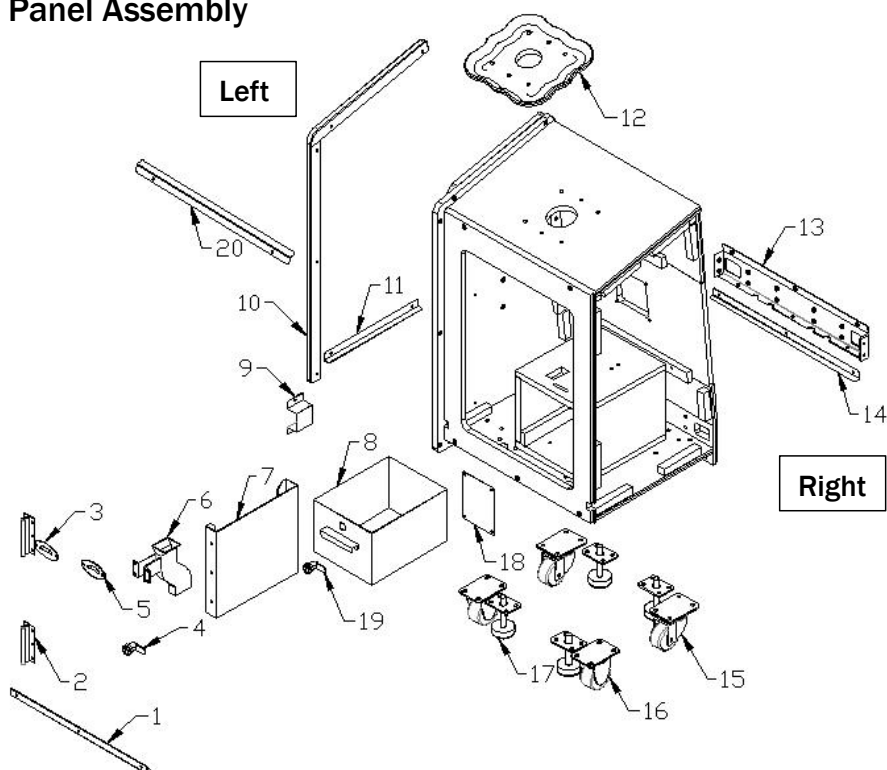
No.	Part No.	Code No.	Name	Qty
1	T143-505-000	20341808008	Control panel R outer plate	1
2	T143-519-000	20341808018	R control panel R side plate	1
	T143-503-000	20341808006	L control panel R side plate	1
3	T143-508-000	20341808011	Control panel back top plate	1
4	T143-509-000	20341808012	Control panel back door	1
5	T143-507-000	20341808010	Control panel back middle plate	1
6	T143-506-000	20341808009	L control panel back bottom plate	1
	T143-520-000	20341808019	R control panel back bottom plate	1
7	T143-122-000	20241808052	Back strengthening plate	1
8	T143-513-000	20341808001	Control panel base plate	1
9	T143-518-000	20341808017	R control panel L side plate	1
	T143-502-000	20341808005	L control panel L side plate	1
10	T143-504-000	20341808007	Control panel L outer plate	1
11	T143-511-000	20341808014	Control panel front plate	1
12	T143-515-000	20341808033	Strengthening bar 2	2
13	T143-510-000	20341808013	Control panel top plate	1
14	T143-514-000	20341808032	Strengthening bar 1	2
15	T143-512-000	20341808015	Control panel front door	1
16	T143-516-000	20341808016	Coin box	1

9.3 Frame Assembly



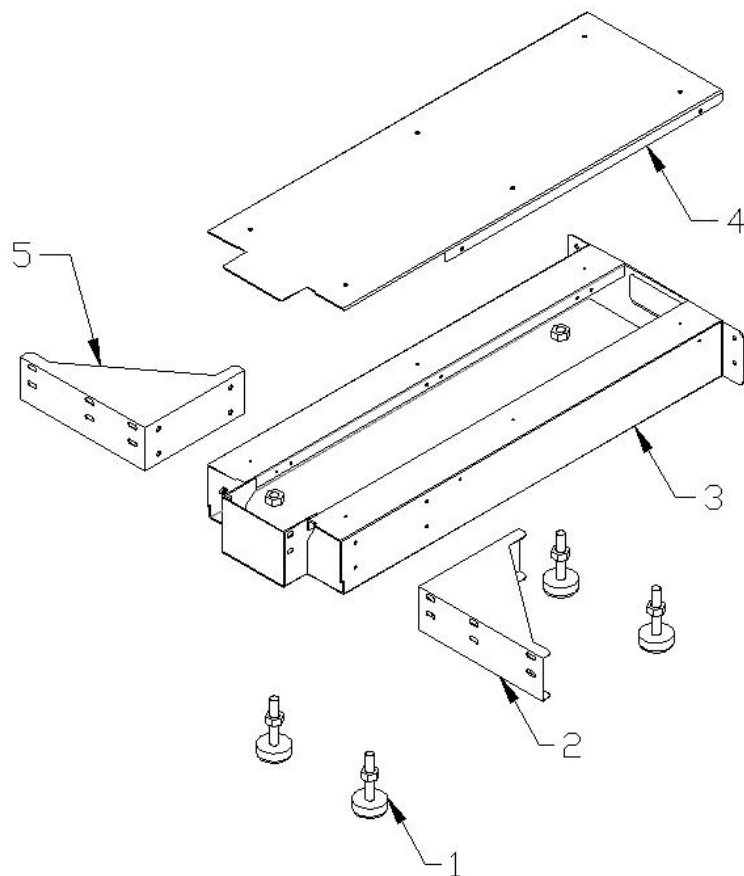
No.	Part No.	Code No.	Name	Qty
1	T143-176-000	2600008000	Leveller	4
	T143-177-000	26000010000	Leveller bracket	4
	T143-462-000	25501000056	2.5" caster	4
2	T143-113-000	20241808010	Speaker net	2
3	T143-114-000	20241808011	Monitor support plate	1
4	T143-451-000	40612010002	Jack ST-105C	1
5	T143-118-000	20241808015	Monitor centralizer	1
6	T143-174-001	26000001000C	Power supply bracket	1
7	T143-522-000	20241808019	Box base	1

9.4 Control Panel Assembly



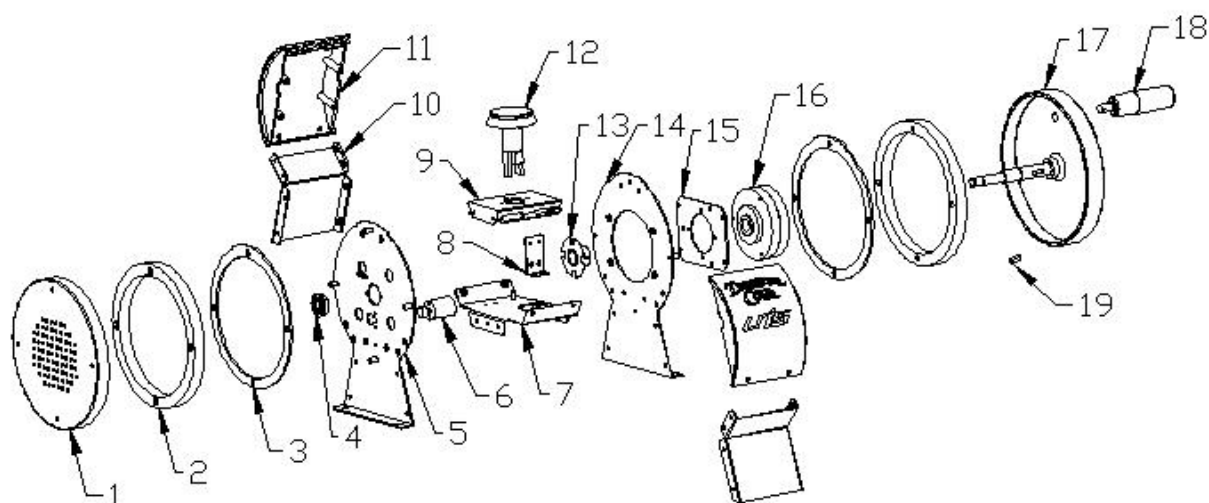
No.	Part No.	Code No.	Name	Qty
1	T143-103-000	20241808001	Front molding	1
2	T143-463-000	26300000001	Hinge	2
3	T143-183-000	26000051000	Ticket exit plate	1
4	T143-459-000	25300171001	Lock	1
5	T143-183-000	26000051000	Ticket exit plate	1
6	T143-106-000	20241808004	Coin chute	2
7	T143-175-000	26000006000	Ticket box (243)	2
8	T143-107-001	26000068000	Coin box	2
9	T143-119-000	20241808051	Power supply fixed bracket	1
10	T143-101-001	20641808002A	Control panel L light plastic	1
	T143-102-001	20641808003A	Control panel R light plastic	1
11	T143-105-000	20241808003	Control panel L&R molding	2
12	T143-110-000	20641808009	Fishing rod base light plastic	1
13	T143-122-000	20241808052	Back strengthening plate	2
14	T143-104-000	20241808002	Back molding	2
15	T143-462-000	25501000056	2.5" caster	2
16	T143-461-000	25501000052	2.5" caster	2
17	T143-176-000	26000008000	Leveller	4
	T143-124-001	20241808018A	Support plate	4
18	T143-108-000	20241808006	DBV plate	1
19	T143-460-000	25300172001	Lock	1
20	T143-109-000	20241808007	Control panel upper molding	1

9.5 Cabinet Connector Assembly



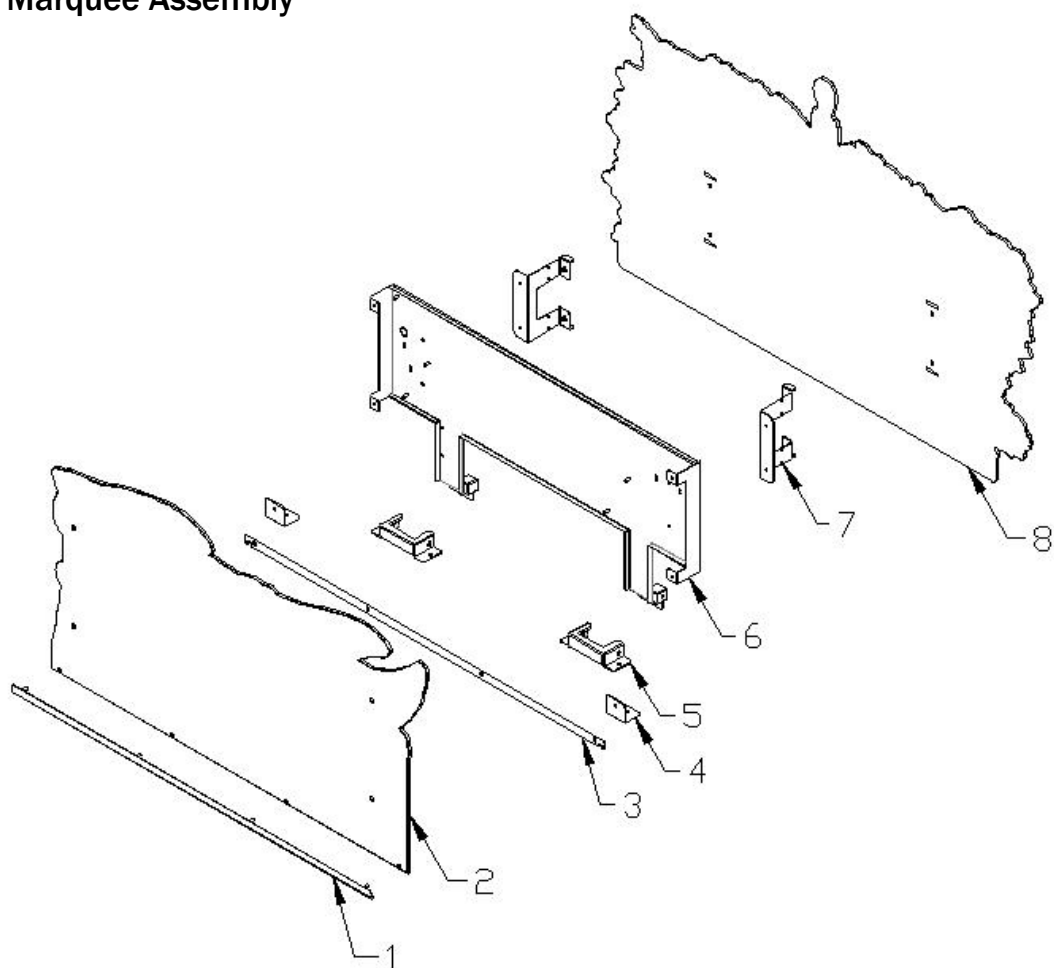
No.	Part No.	Code No.	Name	Qty
1	T143-176-000	26000008000	Leveller	4
2	T143-129-000	20241808023	R strengthening bracket	1
3	T143-126-000	20241808020	Connective plate	1
4	T143-127-001	20241808021A	Connective cover plate	1
5	T143-128-000	20241808022	L strengthening bracket	1

9.6 Fishing Rod Assembly



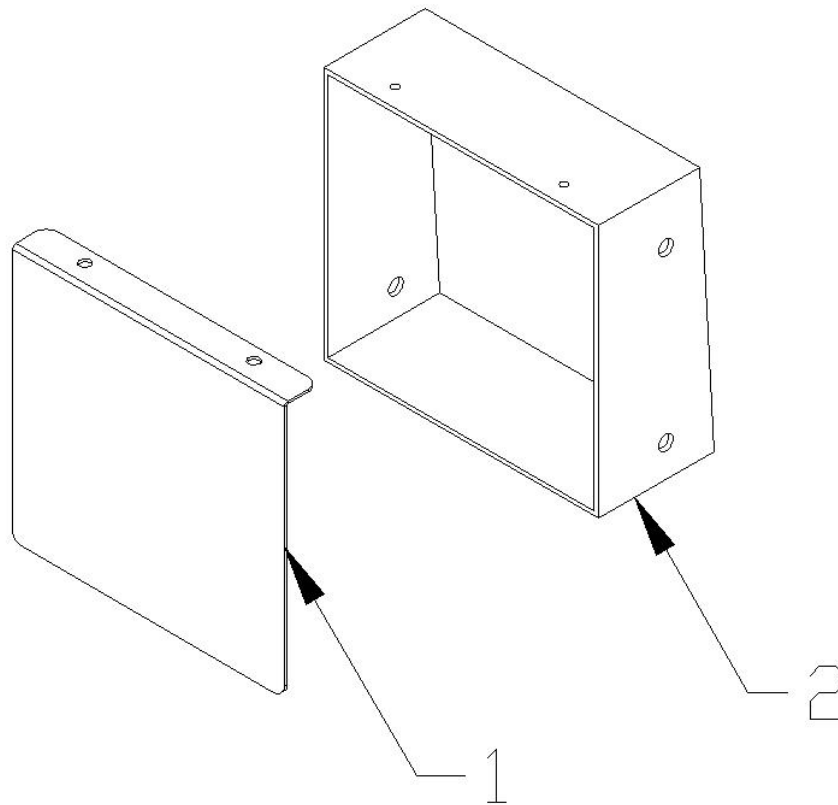
No.	Part No.	Code No.	Name	Qty
1	T143-138-000	20241808029	L cover	2
2	T143-538-000	20341808034	Wooden frame	2
3	T143-135-000	20641808008	Plastic frame	4
4	T143-352-000	20106000303A	Deep groove ball bearing	1
5	T143-136-000	20241808027	L plate	1
6	T143-454-000	23404000246	DC motor	1
7	T143-131-000	20241808053	Fixed plate	1
8	T143-141-000	20241808054	Sensor mounting plate	2
9	T143-133-000	20241808025	Upper fixed plate	2
10	T143-139-000	20241808030	Bottom cover plate	2
11	T143-143-000	20641808001	Side light plastic cover	2
12	T143-418-000	22401300005	Button	1
13	T143-140-000	20241808031	Sensor detection block	1
14	T143-132-000	20241808024	R plate	1
15	T143-137-000	20241808028	Magnetic powder brake fixed plate	1
16	T143-455-000	23413000002	Magnetic powder brake	1
17	T143-134-000	20241808026	Rotation wheel	1
18	T143-453-000	20641122005	Rotation rod	1
19	T143-142-000	20241808032	Plate A	1

9.7 Marquee Assembly



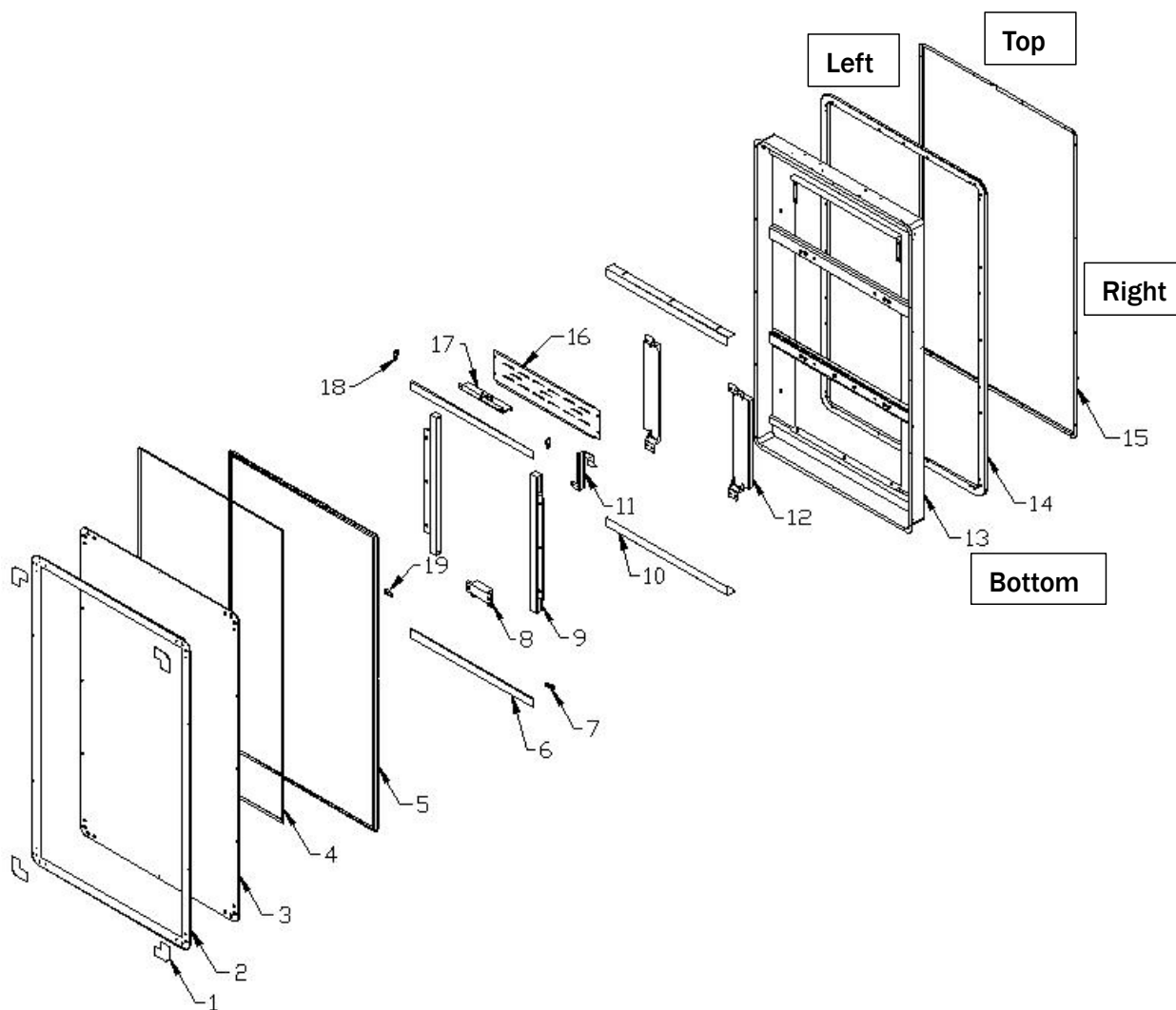
No.	Part No.	Code No.	Name	Qty
1	T143-165-000	20241808047A	Light strip fixed slot	1
2	T143-701-000	20541808001	Marquee plastic	1
3	T143-166-000	20241808048	Light strip pressing plate	1
4	T143-189-000	20241808055	Marquee reinforced plate	2
5	T143-121-000	20241808016	Marquee fixed bracket	2
6	T143-163-000	20241808045	Marquee plastic fixed plate	1
7	T143-164-001	20241808046A	Marquee back plastic fixed plate	2
8	T143-704-000	20541808004	Marquee back plastic	1

9.8 Connector Box



No.	Part No.	Code No.	Name	Qty
1	T143-112-000	20241808009	Connective cover plate	1
2	T143-111-000	20241808008	Connective plate	1

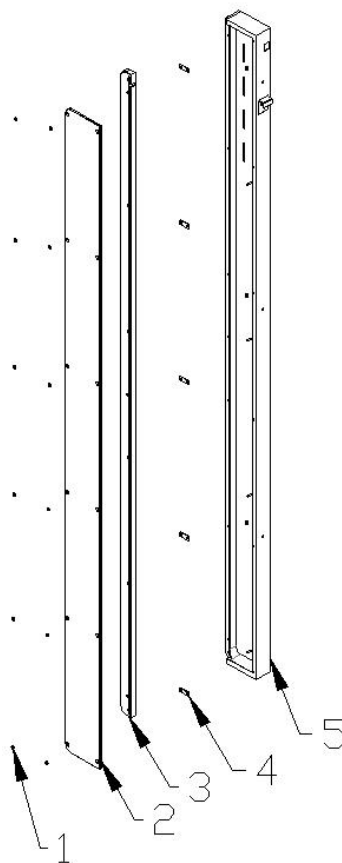
9.9 Monitor Assembly



No.	Part No.	Code No.	Name	Qty
1	T143-150-000	20241808036	Cover frame connective plate	4
2	T143-147-000	20241808034	Cover frame bar (Top&bottom)	2
	T143-148-000	20241808035	Cover frame bar (Left&right)	2
3	T143-146-000	20641808010	Monitor clear plastic	1
4	T143-151-000	20641808011	Monitor protective bar (horizontal)	2
	T143-152-000	20641808012	Monitor protective bar (vertical)	2
5	T143-403-000	21201075001	75" monitor	1
6	T143-154-000	20641808013	Monitor protective bar	2
7	T143-458-000	25102020004	M6 buckle	2
8	T143-116-000	20241808013	Jack upper plate	1
9	T143-115-000	20241808012	Monitor fixed plate	2
10	T143-153-000	20241808037	Monitor back pressing plate	2
11	T143-117-000	20241808014	Point plate	1
12	T143-161-000	20241808044	Monitor side plate	2

No.	Part No.	Code No.	Name	Qty
13	T143-145-001	20241808033A	Monitor frame	1
14	T143-149-000	20641808004	Monitor surrounding light plastic	1
15	T143-157-000	20241808040	Light plastic pressing plate (Top)	1
	T143-158-000	20241808041	Light plastic pressing plate (Bottom)	1
	T143-159-000	20241808042	Light plastic pressing plate (Left)	1
	T143-160-000	20241808043	Light plastic pressing plate (Right)	1
16	T143-156-000	20241808039	Back upper plate	1
17	T143-155-000	20241808038	Top hanging plate	1
18	T143-458-000	25102020004	M6 buckle	2
19	T143-457-000	25102020003	M5 buckle	2

9.10 Side Light Assembly

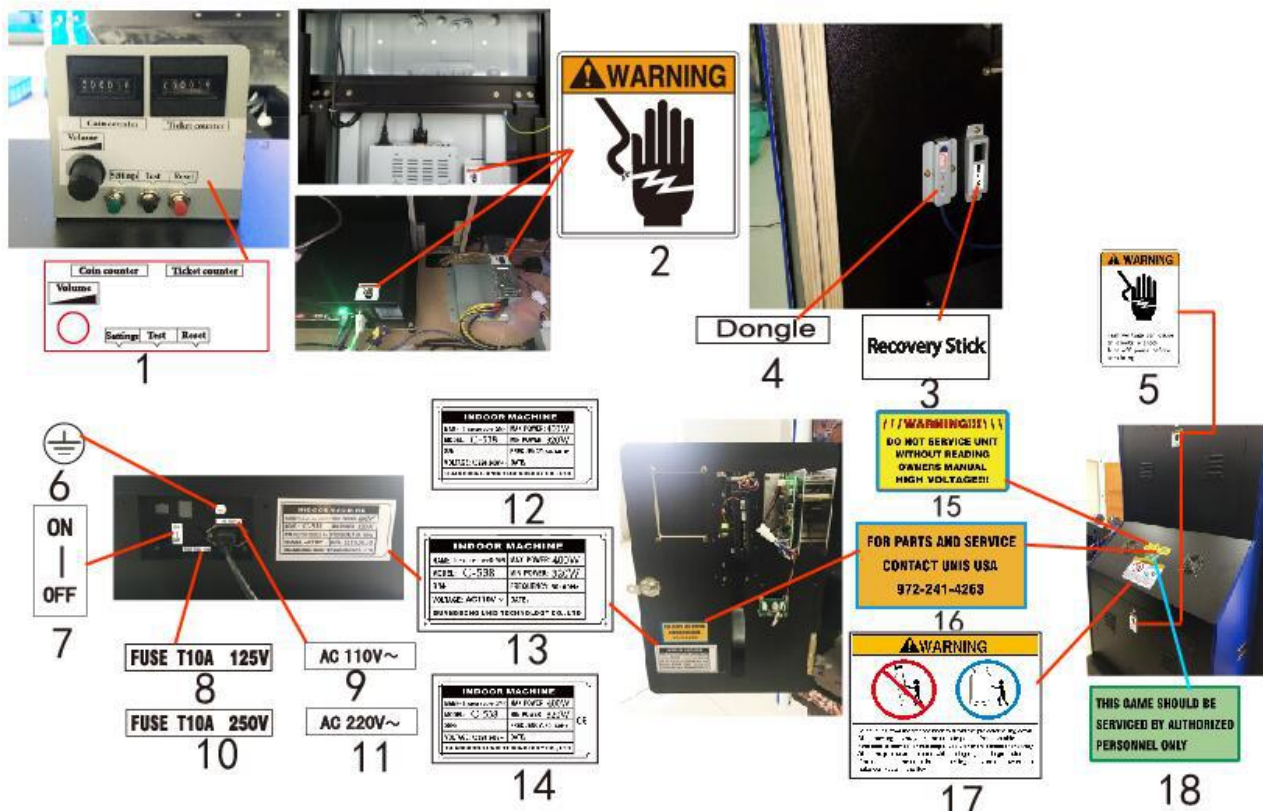


No.	Part No.	Code No.	Name	Qty
1	T143-190-000	26000052000	Rubber pad A	12
2	T143-702-001	20541808002A	Monitor L plastic	1
	T143-703-001	20541808003A	Monitor R plastic	1
3	T143-169-000	20641808005	L light plastic	1
	T143-173-000	20641808006	R light plastic	1
4	T143-170-000	20641808007	Plastic pressing piece	10
5	T143-168-000	20241808049	L light box	1
	T143-172-000	20241808050	R light box	1

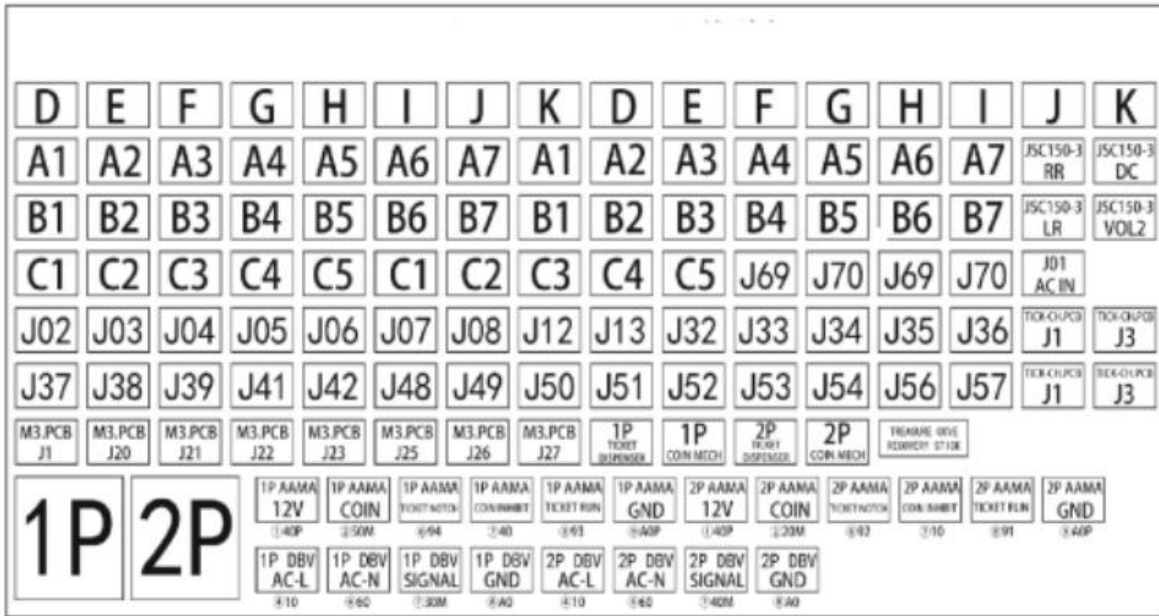
Artwork Part



No.	Part No.	Code No.	Name	Qty
1	T143-704-000	20541808004	Marquee back plastic	1
2	T143-703-001	20541808003A	Monitor R plastic	1
3	T143-702-001	20541808002A	Monitor L plastic	1
4	T143-706-000	20541808006	Control panel R decal	2
5	T143-705-000	20541808005	Control panel L decal	2
6	T143-709-001	20541808009A	Fishing rod side decal	2
7	T143-720-000	25600000108	Ticket decal	2
8	T143-708-000	20541808008	Front door decal	2
9	T143-707-000	20541808007	Control panel decal	2
10	T143-710-000	20541808010	Button decal	2
11	T143-701-000	20541808001	Marquee plastic	1
12	T143-733-000	20541808021	Monitor bottom decal	1

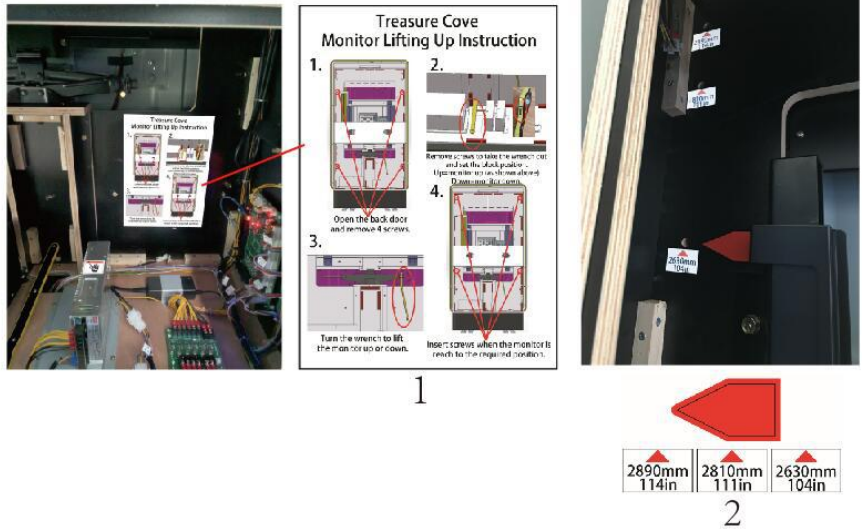


No.	Part No.	Code No.	Name	Qty
1	T143-718-000	25600000101	Counter label	1
2	T143-722-000	25600000036	Warning label (Small)	3
3	T143-719-001	20541808018	Recovery stick label	1
4	T143-731-000	25600000093	Dongle label	1
5	T143-723-000	25600000037	Warning label (Large)	2
6	T143-730-000	25600000091	GND label	1
7	T143-721-000	25600000016	Power switch label A	1
8	T143-729-000	25600000083	Fuse T10A/125V label	1
9	T143-726-000	25600000071	110V label	1
10	T143-728-000	25600000077	Fuse T10A/250V label	1
11	T143-727-000	25600000072	220V label	1
12	T143-713-000	20541808013	220V nameplate	2
13	T143-712-000	20541808012	110V nameplate	2
14	T143-714-000	20541808014	220V nameplate (CE)	2
15	T143-725-000	25600000067	Warning label	1
16	T143-732-000	25600000095	Service label (Large)	2
17	T143-716-000	20541808016	Warning label	1
18	T143-724-000	25600000042	Service label 1	1



1

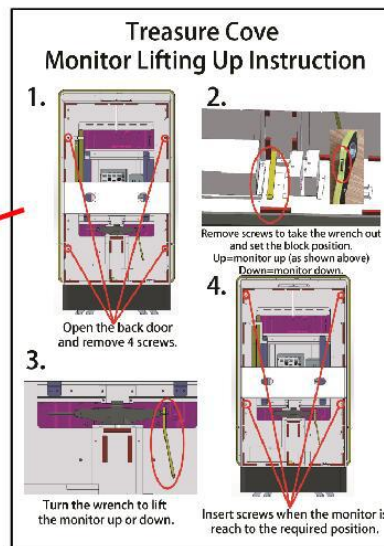
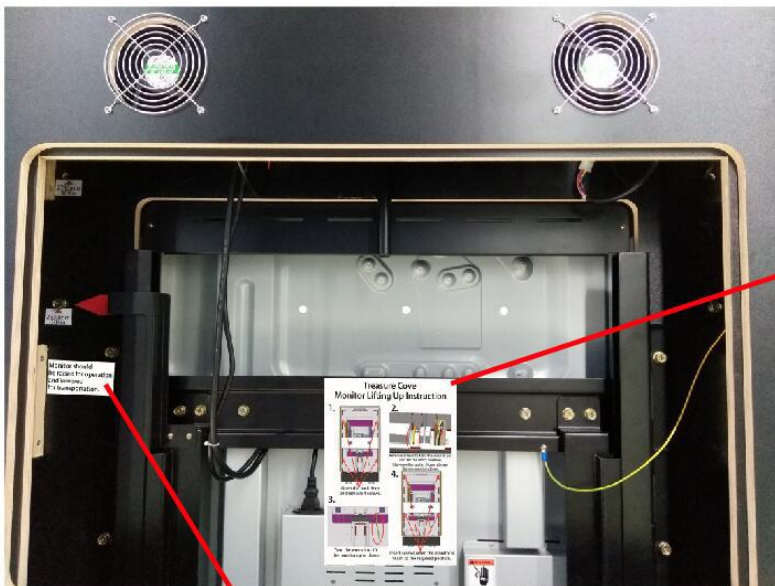
No.	Part No.	Code No.	Name	Qty
1	T143-711-001	20541808011A	Wiring label	1



1

2

No.	Part No.	Code No.	Name	Qty
1	T143-717-001	20541808017A	Monitor lifting up instruction	1
2	T143-715-000	20541808015	Height label	1



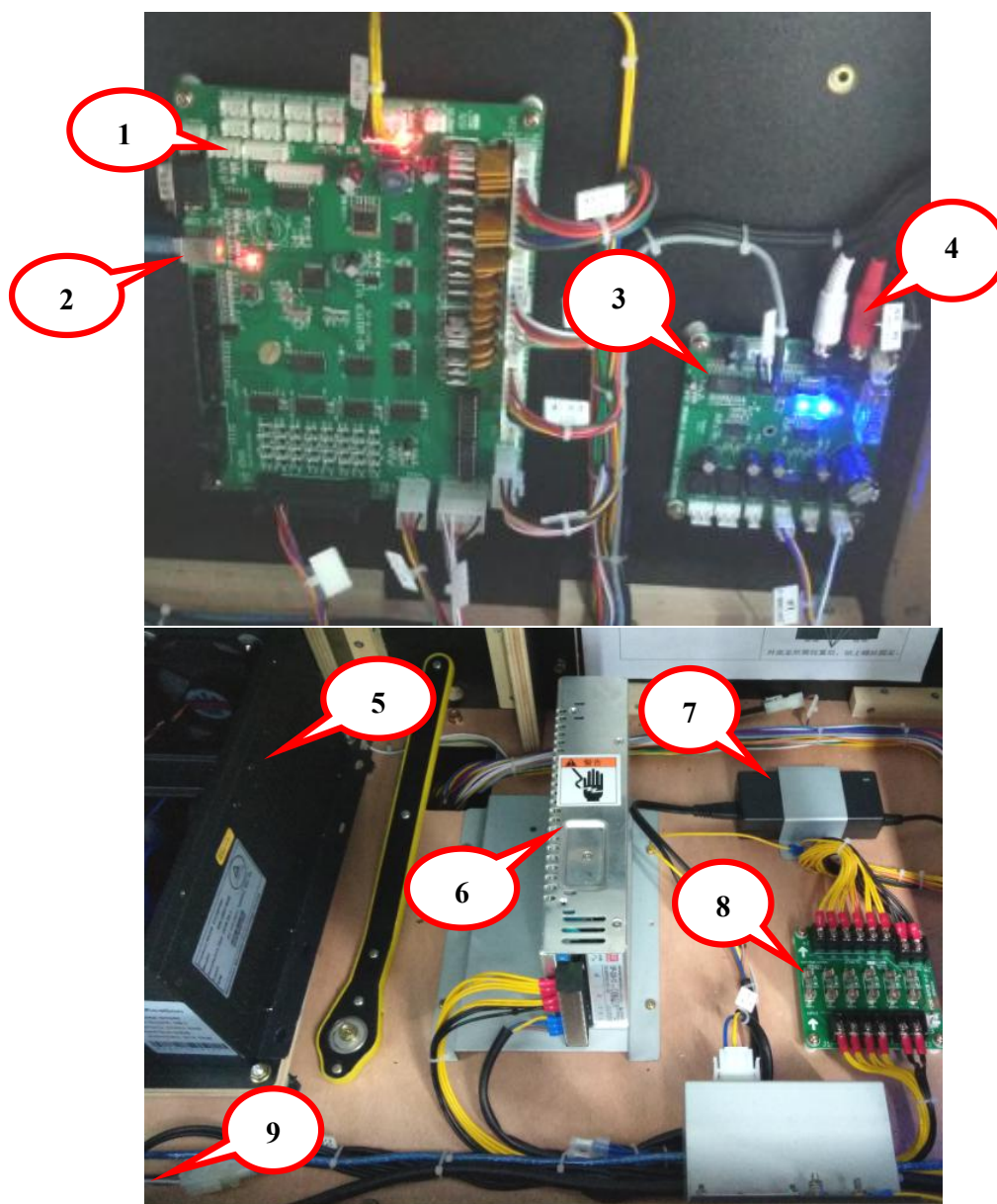
Monitor should be raised for operation and lowered for transportation.

2

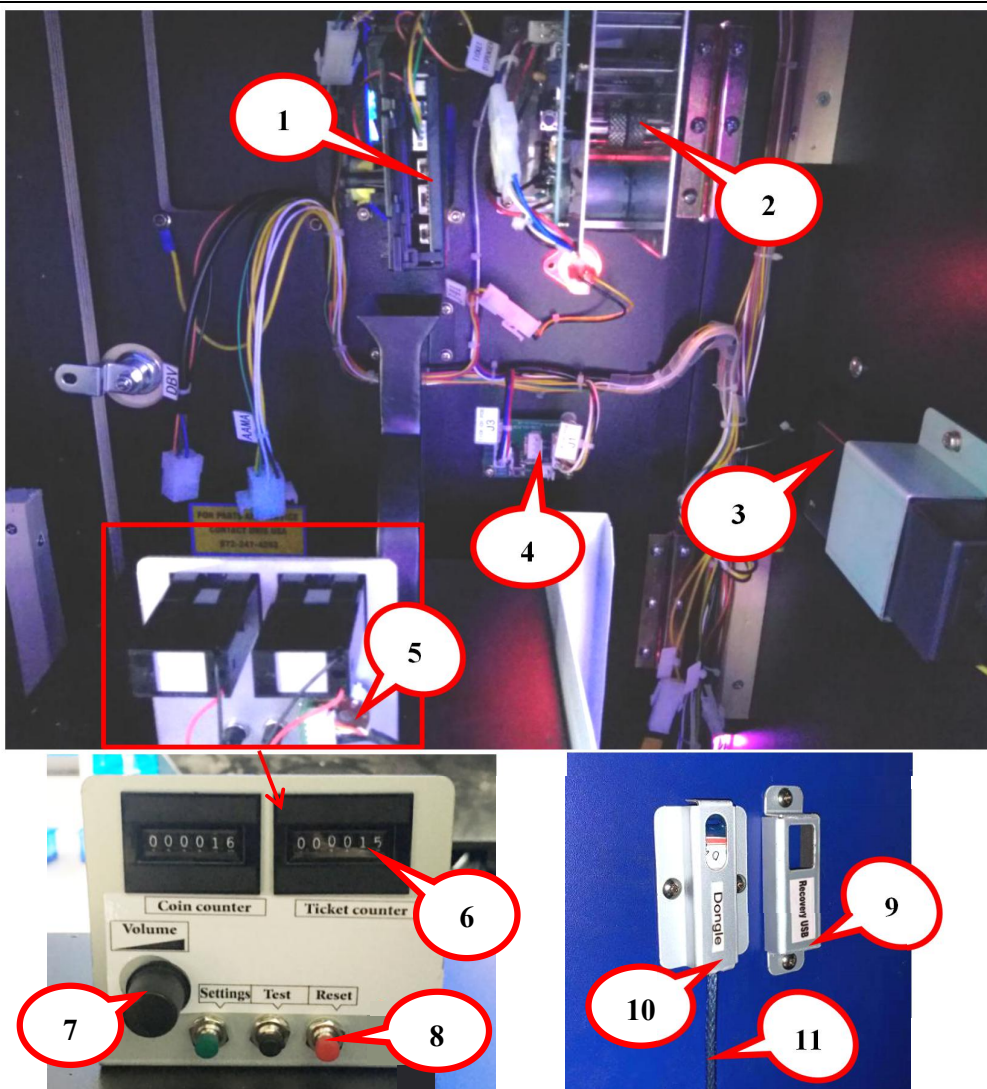
1

No.	Part No.	Code No.	Name	Qty
1	T143-734-000	20541808019	Monitor notice label	1
2	T143-735-000	20541808020	Monitor lifting up instruction	1

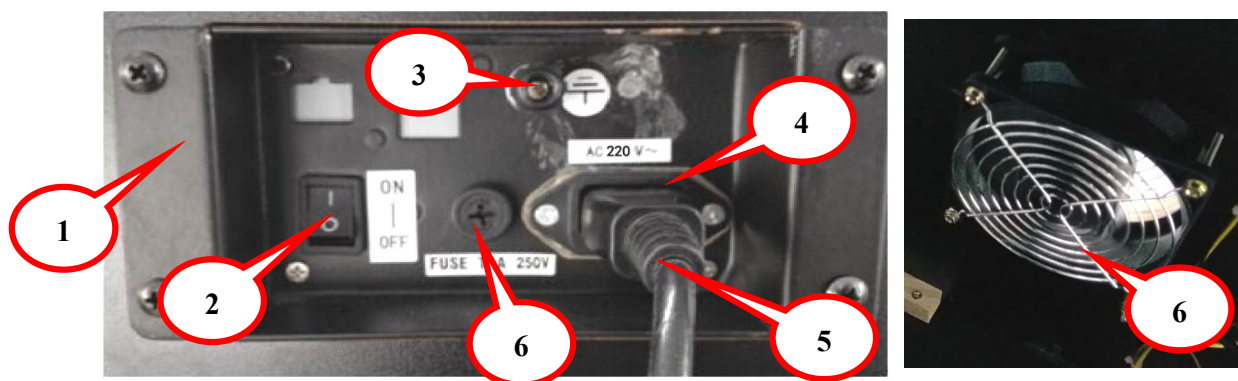
Electrical Part



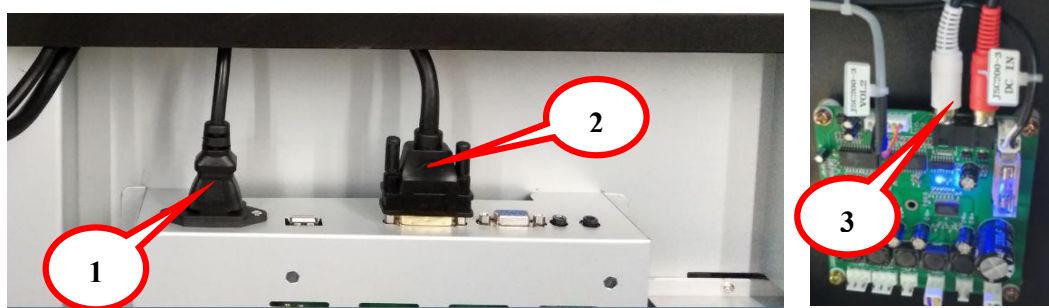
No.	Part No.	Code No.	Name	Qty
1	T143-445-001	29791300001A	M3 mainboard (USA)	1
2	T143-434-000	23304000021	Cable	1
3	T143-428-001	22803010009A	Amplifier board	1
4	T143-436-000	23305000003	Audio cable	1
5	T143-402-000	21102000079A	PC	1
6	T143-406-001	21602000013	Power supply	1
7	T143-405-000	21602000076	DC power supply	1
8	T143-442-000	29711702006	Fuse board	1
	T143-407-000	21901000012	Fuse	6
9	T143-433-000	23301018002	Power cord	1



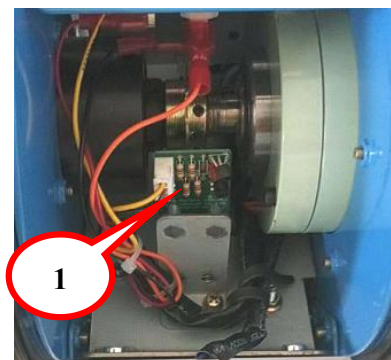
No.	Part No.	Code No.	Name	Qty
1	T143-417-000	22301000002	Coin mechanism	2
2	T143-430-000	23100000005	Ticket dispenser	2
3	T143-405-000	21602000076	DC power supply	3
4	T143-444-000	29790700002	Ticket exchange board	2
5	T143-446-000	29791400001	POT connective board	1
6	T143-429-000	23000000006	Counter	2
7	T143-422-000	22403000001	POT knob	1
	T143-423-000	22501000033	POT	1
8	T143-419-000	22402010002	Button (Red)	1
	T143-420-000	22402030002	Button (Green)	1
	T143-421-000	22402050001	Button (Black)	1
9	T143-452-000	41300000007	Recovery stick	1
	T143-185-000	26000064000	Recovery stick fixed plate	1
10	T143-401-000	20741808001	Dongle	1
	T143-184-000	26000055000	Dongle bracket	1
11	T143-435-001	23304010034	Cable	1



No.	Part No.	Code No.	Name	Qty
1	T144-181-001	26000042000B	Wiring box	1
2	T144-424-000	22601000005	Rocker switch	1
3	T144-404-000	21412000001	Binding post	1
4	T144-431-000	23201000001A	Filter	1
5	T144-804-000	23301000001	Power cord	1
6	T144-408-000	21901000030B	Fuse	1
	T144-409-000	21902000006	Fuse block	1
7	T144-425-000	22702000010	Fan net	2
	T144-426-000	22702010025	Fan	1



No.	Part No.	Code No.	Name	Qty
1	T143-432-000	23301018001	Power cord	1
2	T143-437-000	23307020003A	DVI cable	1
3	T143-436-000	23305000003	Audio cable	1

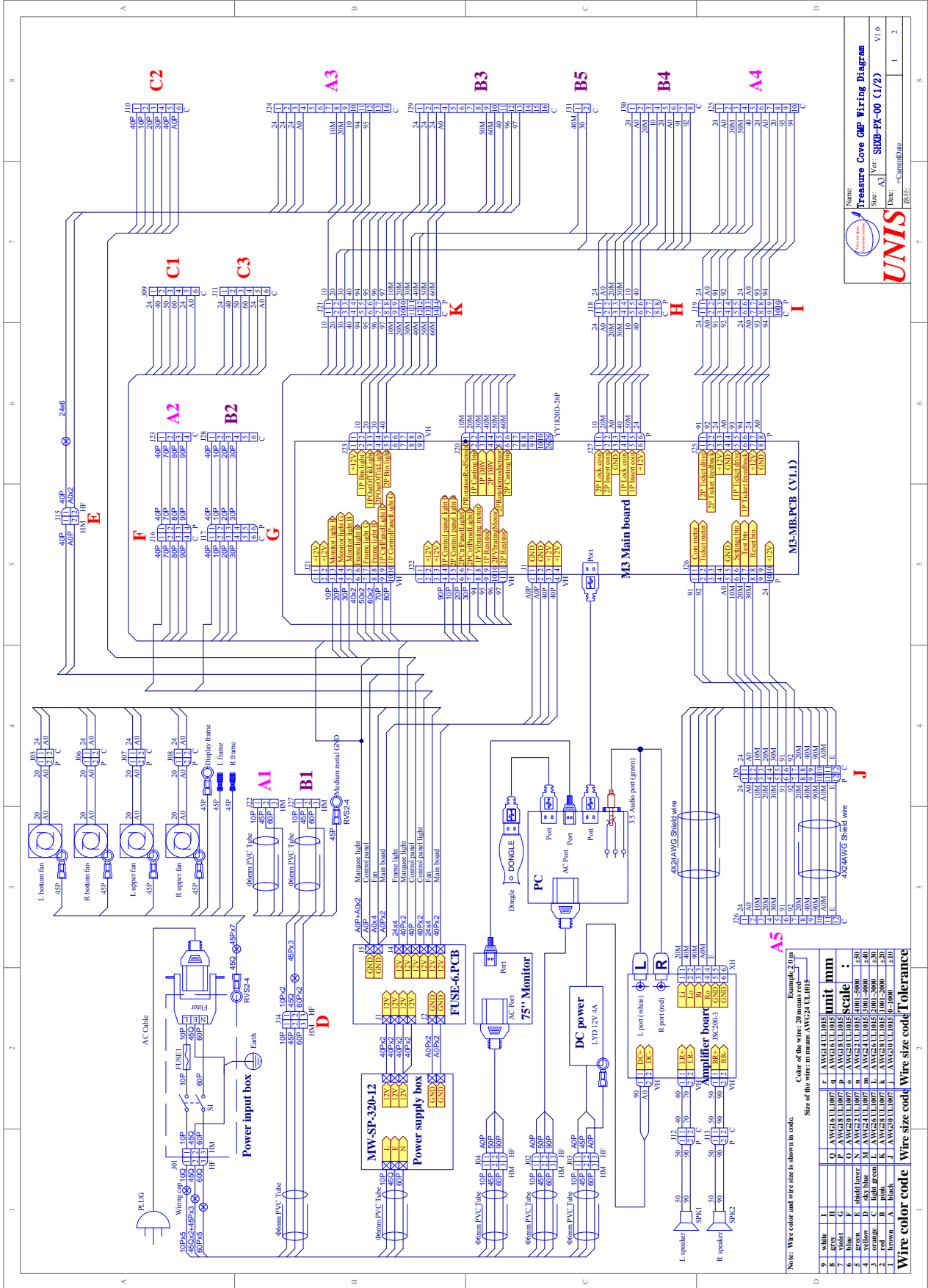


No.	Part No.	Code No.	Name	Qty
1	T143-441-000	29710704001	Sensor board	1



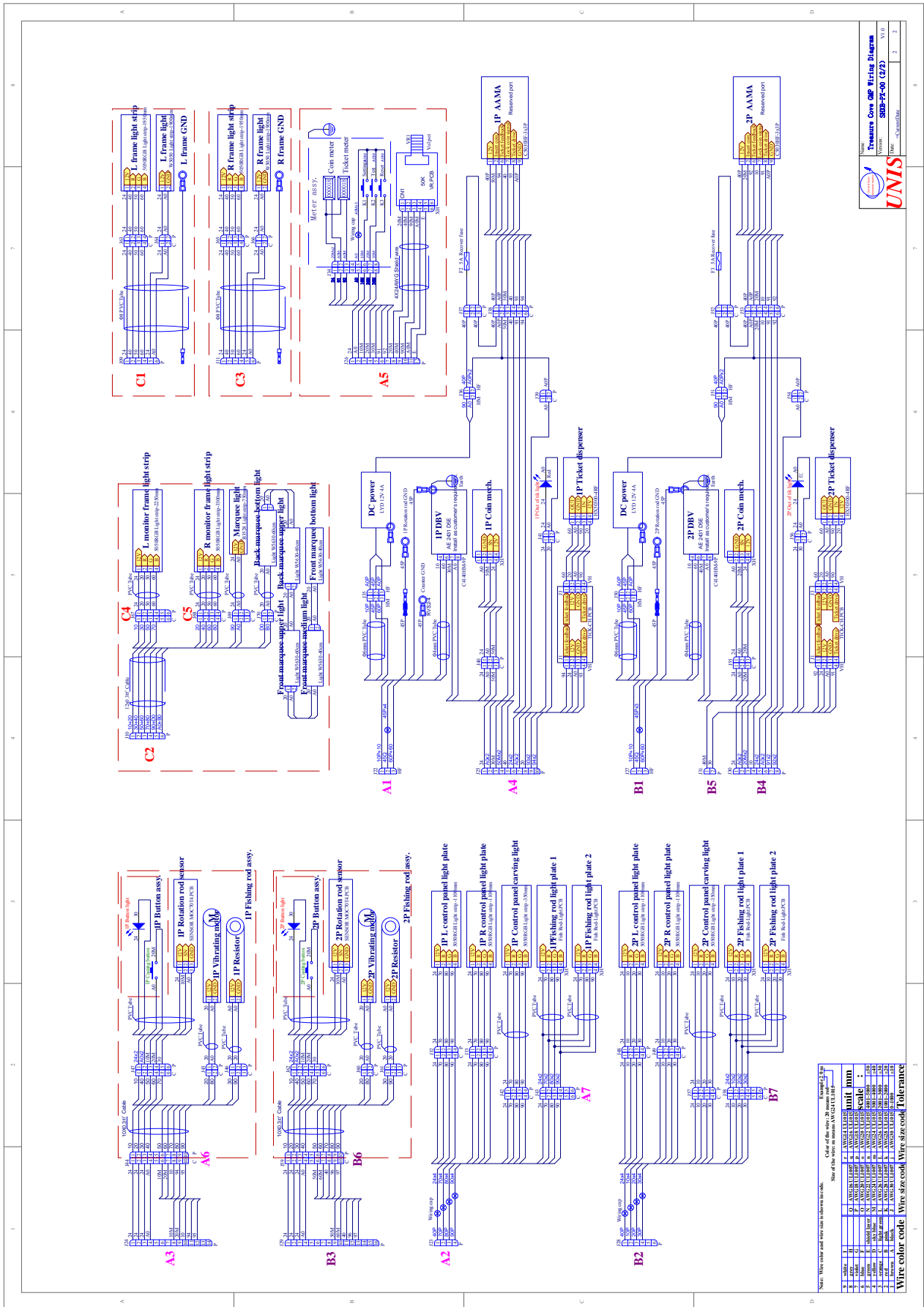
No.	Part No.	Code No.	Name	Qty
1	T143-415-000	22003080017	5630 light (Long)	3
2	T143-414-000	22003080009	5630 light (Short)	2
3	T143-412-000	22002016037	3528 flexible light strip	31.5 in/0.8m
4	T143-410-000	22002013002	RGB flexible light strip	220.5 in/5.6m
5	T143-410-000	22002013002	RGB flexible light strip	153.5 in/3.9m
6	T143-411-000	22002013003	LED flexible light strip	149.6 in/3.8m
7	T143-427-000	22801000084	Speaker	2
8	T143-410-000	22002013002	RGB flexible light strip	86.6 in/2.2m
9	T143-443-000	29741808002	Fishing rod light board	4
10	T143-410-000	22002013002	RGB flexible light strip	27.6 in/0.7m
11	T143-413-000	22003000003	LED bulb	2
	T143-416-000	22201000028	12V white light holder	2
	T143-186-000	26000065000	Out of ticket light cover	2

10. WIRING DIAGRAM



UNIS

Treasure Cove GMP Wiring Diagram
 Ver: A3
 Size: SRP-PX-00 (1/2)
 V1.0
 Date: _____
 Drawn: _____
 Checked: _____



UNIS

Treasure Cove GSP Wiring Diagram
 Model: SGP-PP-00 (2/2)
 Ver: 1.0
 User: c.gamblino

Notes: Wire color and wire size indicate in this table.
 Color of the wire: 20 mm wire
 Size of the wire: 20 mm wire

Wire color code	Wire size code	Unit	mm
0	AWG18	0.32	0.81
1	AWG16	0.50	1.27
2	AWG14	0.64	1.63
3	AWG12	0.81	2.03
4	AWG10	1.02	2.58
5	AWG8	1.27	3.23
6	AWG6	1.63	4.13
7	AWG4	2.03	5.18
8	AWG3	2.58	6.55
9	AWG2	3.23	8.20
10	AWG1	4.13	10.54

Wire size code: Wire size code