

OVER THE EDGE

PLUS VERSION



IMPORTANT



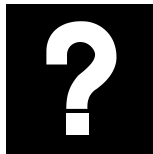
Be Sure
to Read this
Manual
Before Use



UNIS TECHNOLOGY

Operation Manual

WE ARE HERE TO ASSIST For parts and service



Have Questions? Contact us!

UNIS SERVICE CENTER

Tel: 972-241-4263



Email: service@unispartsandservice.com

www.unispartsandservice.com

When contacting Service, you will need the following information
and the name of your authorized distributor.

INDOOR MACHINE	
NAME: Over The Edge Plus GMP (Tickets)	MAX POWER: 790W
MODEL: T-396	MIN POWER: 690W
S/N:	FREQUENCY: 50/60Hz
VOLTAGE: AC110V ~	DATE:
Guangdong UNIS Technology Co.,Ltd.	

INDOOR MACHINE	
NAME: Over The Edge Plus GMP (Tickets)	MAX POWER: 790W
MODEL: T-396	MIN POWER: 690W
S/N:	FREQUENCY: 50/60Hz
VOLTAGE: AC220V ~	DATE:
Guangdong UNIS Technology Co.,Ltd.	



CONTENT

IMPORTANT SAFETY INSTRUCTIONS.....	3
1. SPECIFICATIONS.....	5
2. CONTENTS OF THE ACCESSORY KIT.....	6
3. PART NAME.....	7
4. SET UP & INSTALLATION.....	8
5. FIRST POWER ON OPERATION.....	12
6.HOW TO PLAY.....	13
7. GAME OPTION.....	14
8. TROUBLESHOOTING.....	19
9. MAINTENANCE & INSPECTION.....	23
10. OVERALL CONSTRUCTION.....	27
11. WIRING DIAGRAM.....	54

Thank you for purchasing **Over The Edge Plus GMP(Tickets)**. We hope you enjoy the product.

This manual contains valuable information about how to operate and maintain your game machine properly and safely. It is intended for the owner and/or personnel in charge of product operation. Carefully read and understand the instructions.

If you need any help during installation and setup please utilize this manual and troubleshooting guide. If the product fails to function properly, *non-technical personnel should under no circumstance attempt to service the machine*. Contact your distributor or manufacturer for help.

Before use, please read **IMPORTANT SAFETY INSTRUCTIONS**.

IMPORTANT SAFETY INSTRUCTIONS

To ensure the safe usage of this product, carefully read and understand these instructions before operating your game.

Save these instructions for future reference.

Use this product only as described in this manual. Other uses not recommended may cause fire, electric shock or personal injury. Unplug the game from the outlet when not in use, when moving from one location to another, and before cleaning/servicing.

Explanations which require special attention are indicated by signs of warning. Depending on the potential hazardous degree, the terms: **NOTE**, **NOTICE**, and **WARNING** are used.

NOTE: A NOTE indicates useful hints or information about product usage.

NOTICE: A NOTICE indicates potential damage to product and how to avoid the problem.

WARNING: A WARNING indicates a potential for product damage or serious personal injury.

It is important to understand the meaning of the following HAZARD SIGNS before continuing:

High Voltage and Shock Hazard:

High voltage can cause electric shock.
Turn off/unplug power before servicing.



High Temperature Hazard:

This part may cause scalding.
Do not touch. Surface may be hot.



No Touching Hazard:

This part may be hot or can cause electric shock.
Do not touch.



Use the following safety guidelines to help ensure your own personal safety and to help protect your equipment and surrounding environment from potential damage.

⚠️ This product is an indoor game machine. Do not install outdoors.

Avoid installing in the following places to prevent fire, electric shock, injury and/or machine malfunctioning:

- Places subject to rain/moisture, or places subject to high humidity.
- Places subject to direct sunlight, or places subject to extremely hot or cold temperatures to ensure that it is used within the specified operating range.
- Places where inflammable gas may be present or in the vicinity of highly inflammable/volatile chemicals or items that can easily catch fire.
- On unstable or sloped surfaces. The machine may topple or cause unforeseen accidents.
- Vicinity of fire exits, fire extinguishers etc that may block/prevent safety measures.

IMPORTANT NOTE:

ALL REPAIRS MUST BE DONE TO ORIGINAL MANUFACTURER SPECIFICATIONS. FAILURE TO DO SO VOID ALL WARRANTIES AND OPERATOR ASSUMES ALL RISKS.

Note: The contents of this manual may be updated without notice.

1. SPECIFICATIONS

Rated power supply: AC110V 50/60Hz; AC220V 50/60Hz;

Min. Power consumption: 690W

Max. Power consumption: 790W

Dimension: H87.40×W62.04 ×D45.34 in

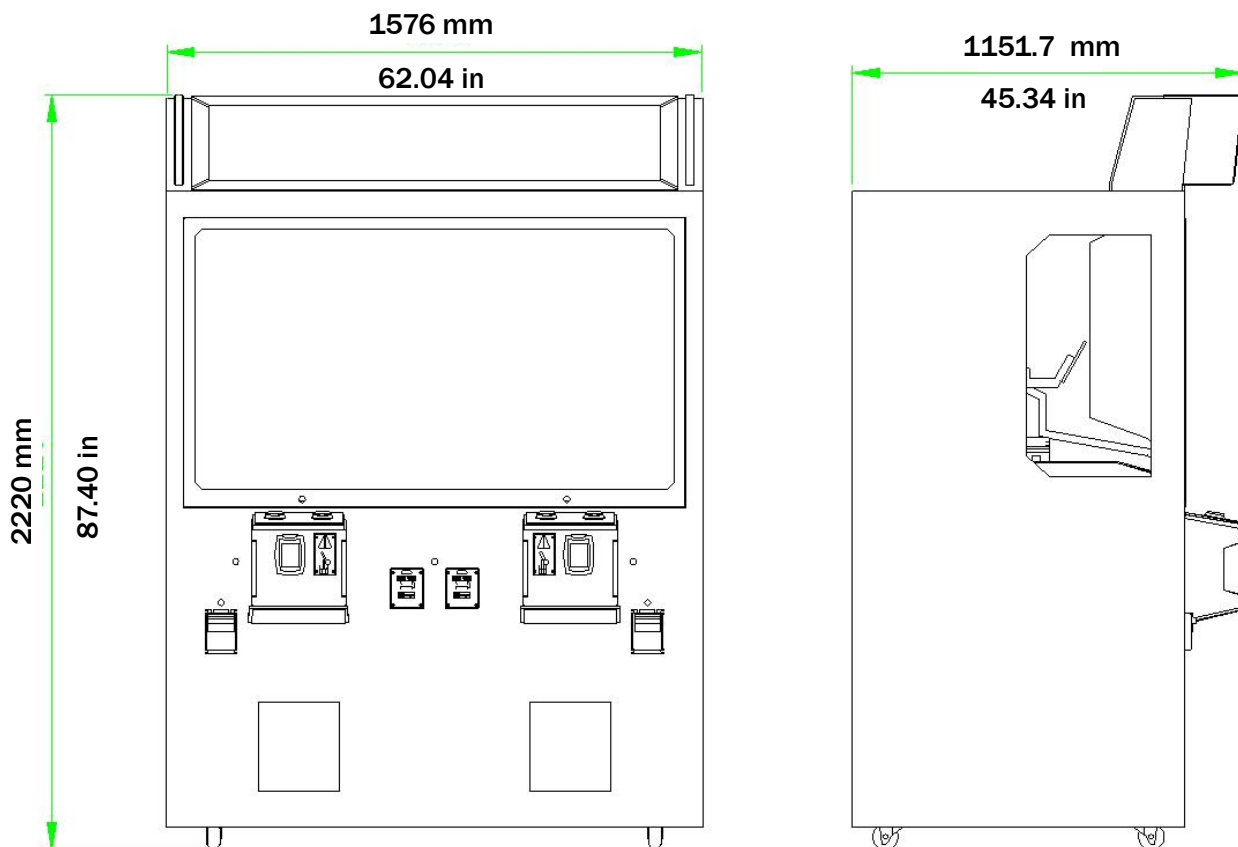
H2220 ×W1576×D1151.7 mm

Weight: Approximately 661.38lb/300KG

Model No: T-396

Part No.: 0119

! **NOTICE** : After turning off the game, please wait at least 1 minute before restarting again.



Note: Game specifications are subject to change without notice.

2. CONTENTS OF THE ACCESSORY KIT

Open the package and make sure all the items are included:

Following accessories

No.	Code No.	Name/SPEC	Picture	Qty
1	2.19.01.000030B	Fuse(T10A) Φ5×20mm T10A 250VAC (PSE UL)		1
2	2.33.01.010020	Power cord 3×16AWG 1.8M		1
3	4.14.40000641	Manual GMP		1
4	2.53.00608831	172A key		2
5	2.53.00608832	172B key		1
6	205.2.2248.028	Top prize decals 36×50		4
7	205.2.2248.029	Medium prize decals 36×50		8
8	205.2.2248.030	Small prize decals 36×50		16
9	201.01.100024	Cross recess pan head screw M4×12		6
10	201.01.100017	Cross recess sunk head screw M4×12		2

NOTE: Part models are subject to change without notice.

3. PART NAME

Key Components



4. SET UP & INSTALLATION

⚠ NOTICE

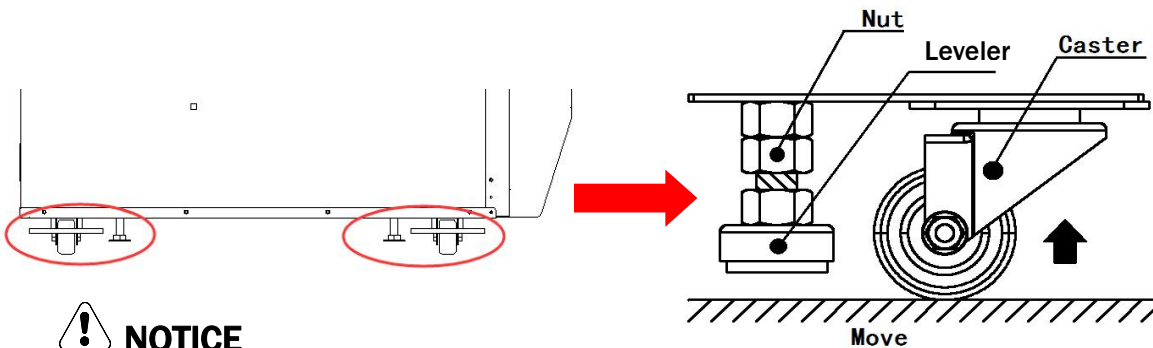
We do not recommend using power tools as they may cause damage.

⚠ **This product is an indoor game machine. Do not install outdoors.**

- Refer to IMPORTANT SAFETY INSTRUCTIONS (Pg. 3) for places to avoid.
- Place the unit on a dry level surface.
- Ventilation openings in the back of the unit must not be obstructed by objects or by wall.

4.1 Transporting the Game

If you need to move the game, adjust the levelers back to an “up” position.



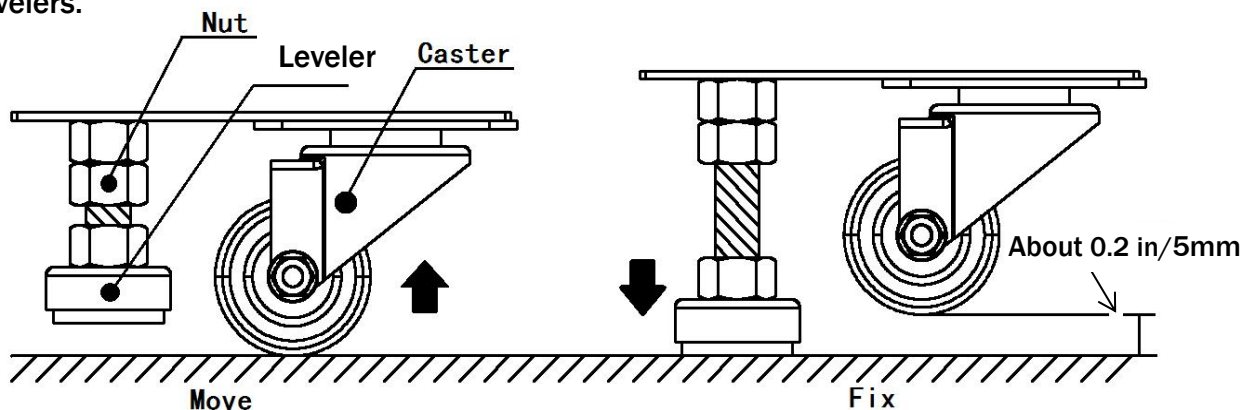
⚠ NOTICE

- Be careful not to damage the machine during transport.
- Always unplug the game before moving.
- Keep the machine in upright position during transport.
- For longer distance transport, package the game properly to prevent damages.

4.2 Level Adjustment

Install this game on a flat surface. If the game is installed on an unsuitable floor, it could cause game malfunction.

To secure the game, loosen the nut, utilize wrench to adjust the leveler down until it touches the floor, lifting the casters off the ground by 0.2 in/5mm. Repeat the same for all levelers.



⚠ NOTICE

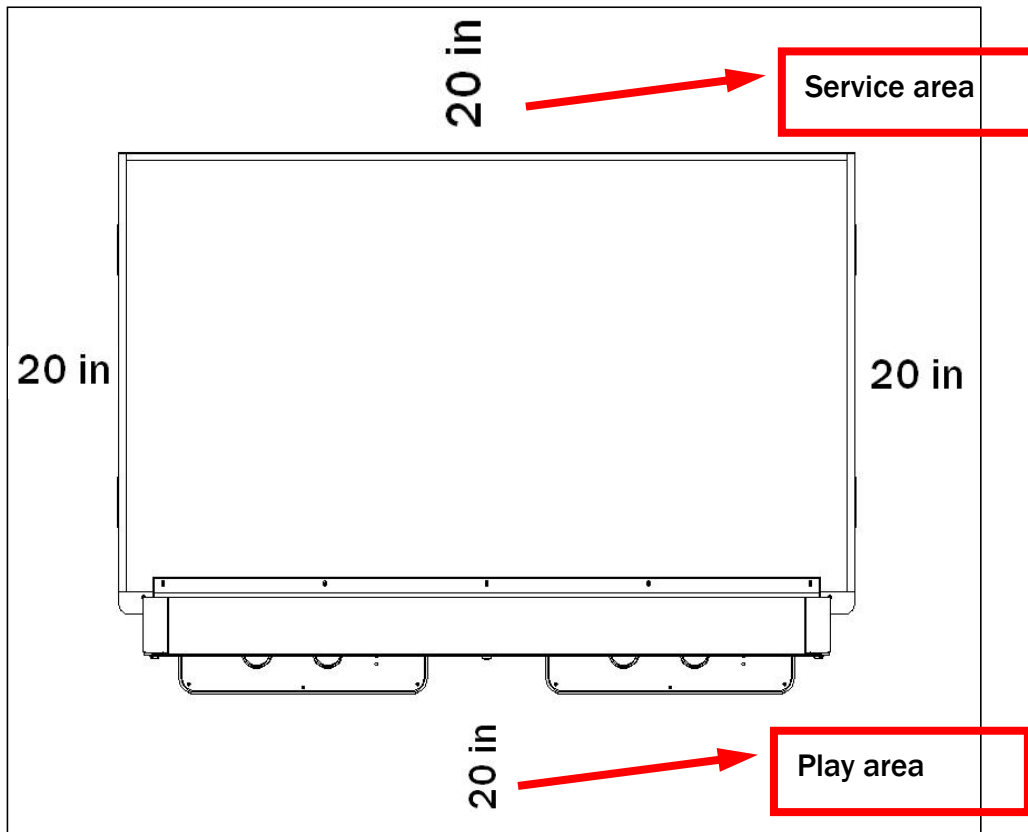
Make sure the machine is level.

4.3 Play Zone

This machine requires space for playing and for maintenance as shown below.

Leave space around the game upon installation:

Service area: 20 in

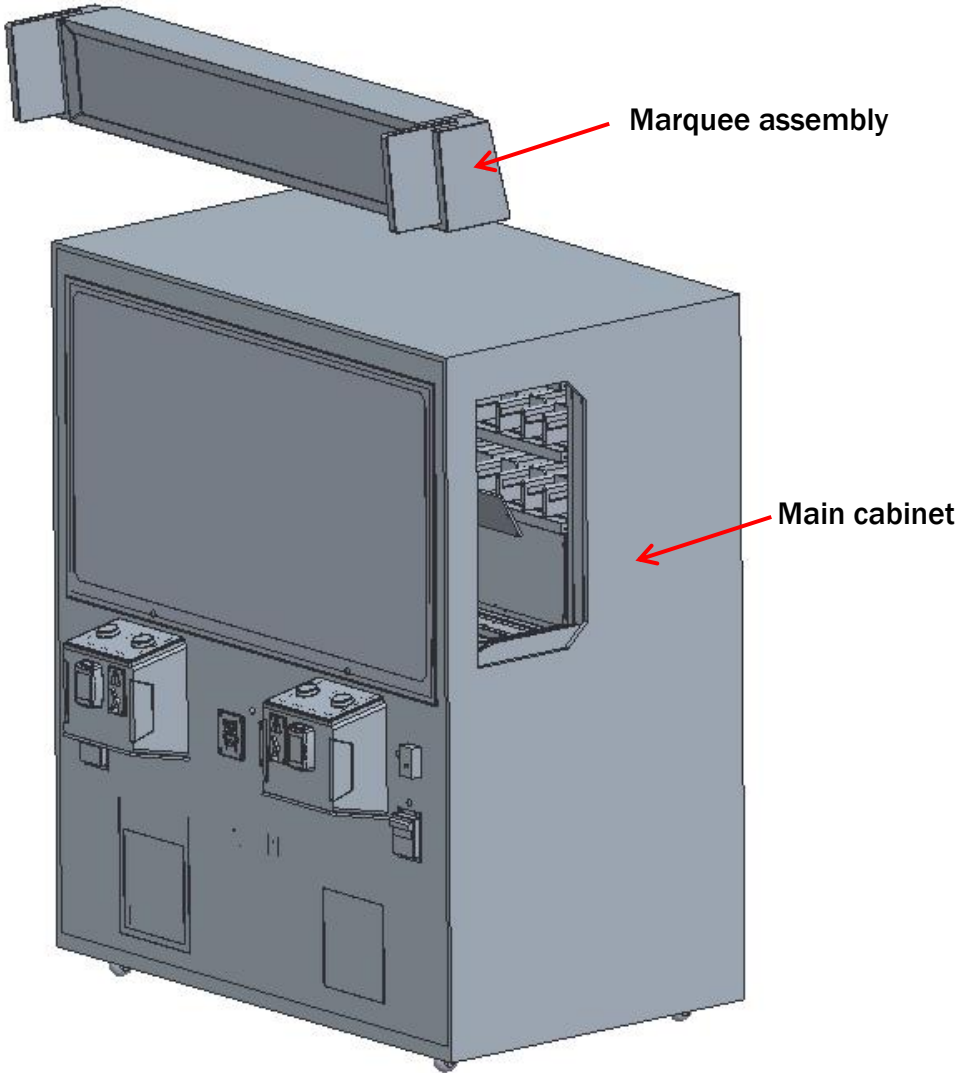


NOTICE

Your unit must be leveled to operate properly.


4.4 Machine Installation

Step 1 Install Marquee assembly to the top of the cabinet. Utilize screws to secure.



Finish!

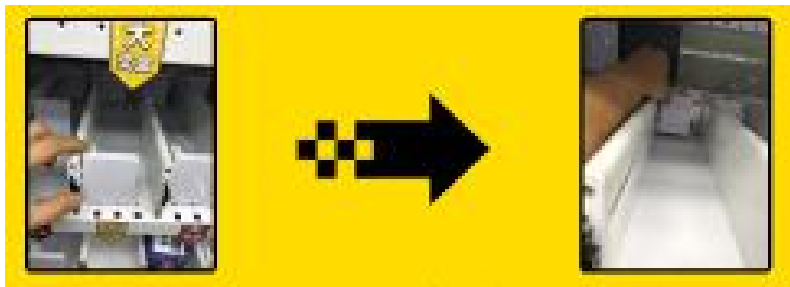
4.5 Card Reader Installation Safety Notice

 Take precaution to assure that all wiring voltages are confirmed prior to installation of card reader. All warranties are void if not properly installed resulting in logic board damage.

Important: This game is pre-wired to AAMA standards. It is highly recommended to utilize this wiring for Card reader installation.

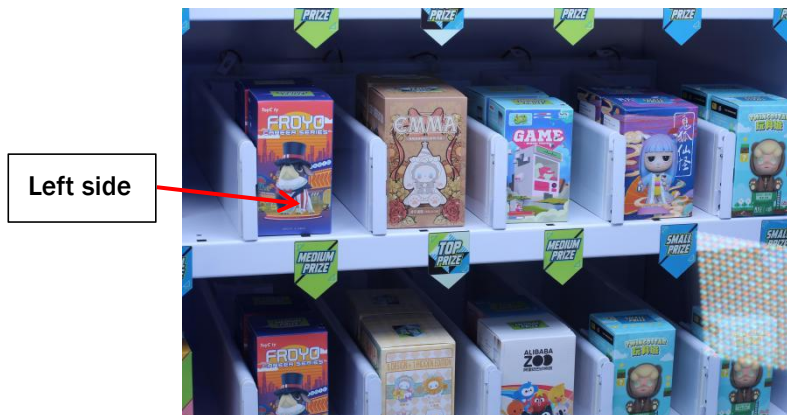
4.6 Refill Prize Box Instruction

Step 1 Press the Channel button and push the baffle to the end.



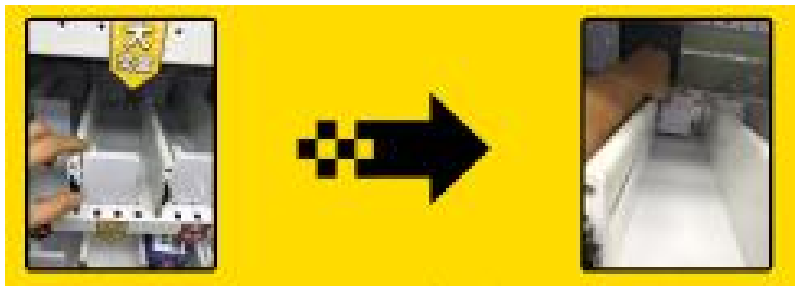
Step 2 Place the prize box into the channel.

Note: Be sure to place close to the left, which close to the sensor.

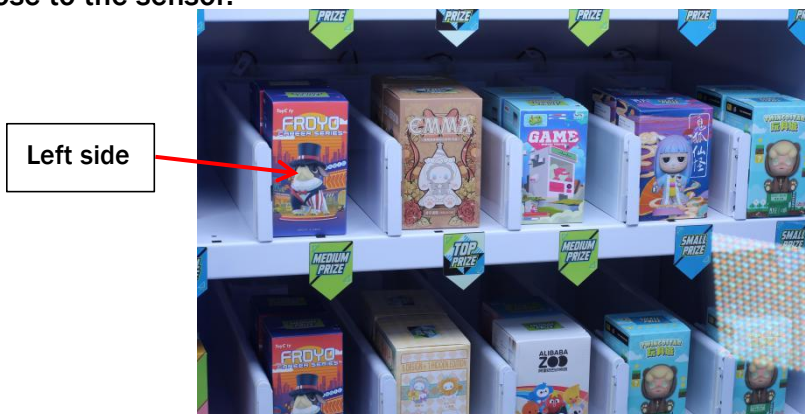


5. FIRST POWER ON OPERATION

Step 1 Press the Channel button and push the baffle to the end of the channel.

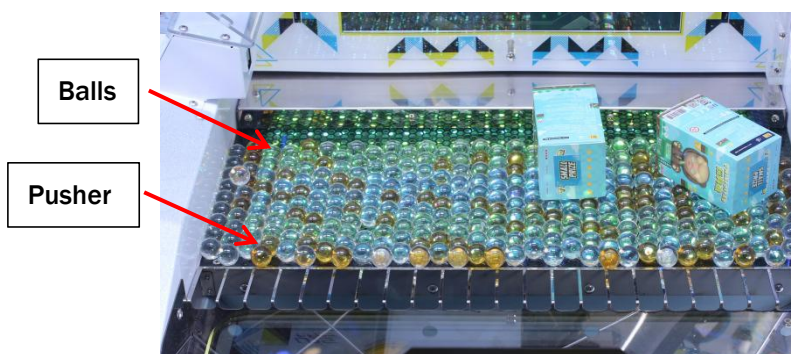


Step 2 Place the prize box into the channel. Note: Be sure to place close to the left, which close to the sensor.



Step 3 Loosen Control panel 6 screws and place Coin to the coin mechanism.

Step 4 Place balls to the pusher and ball hopper.

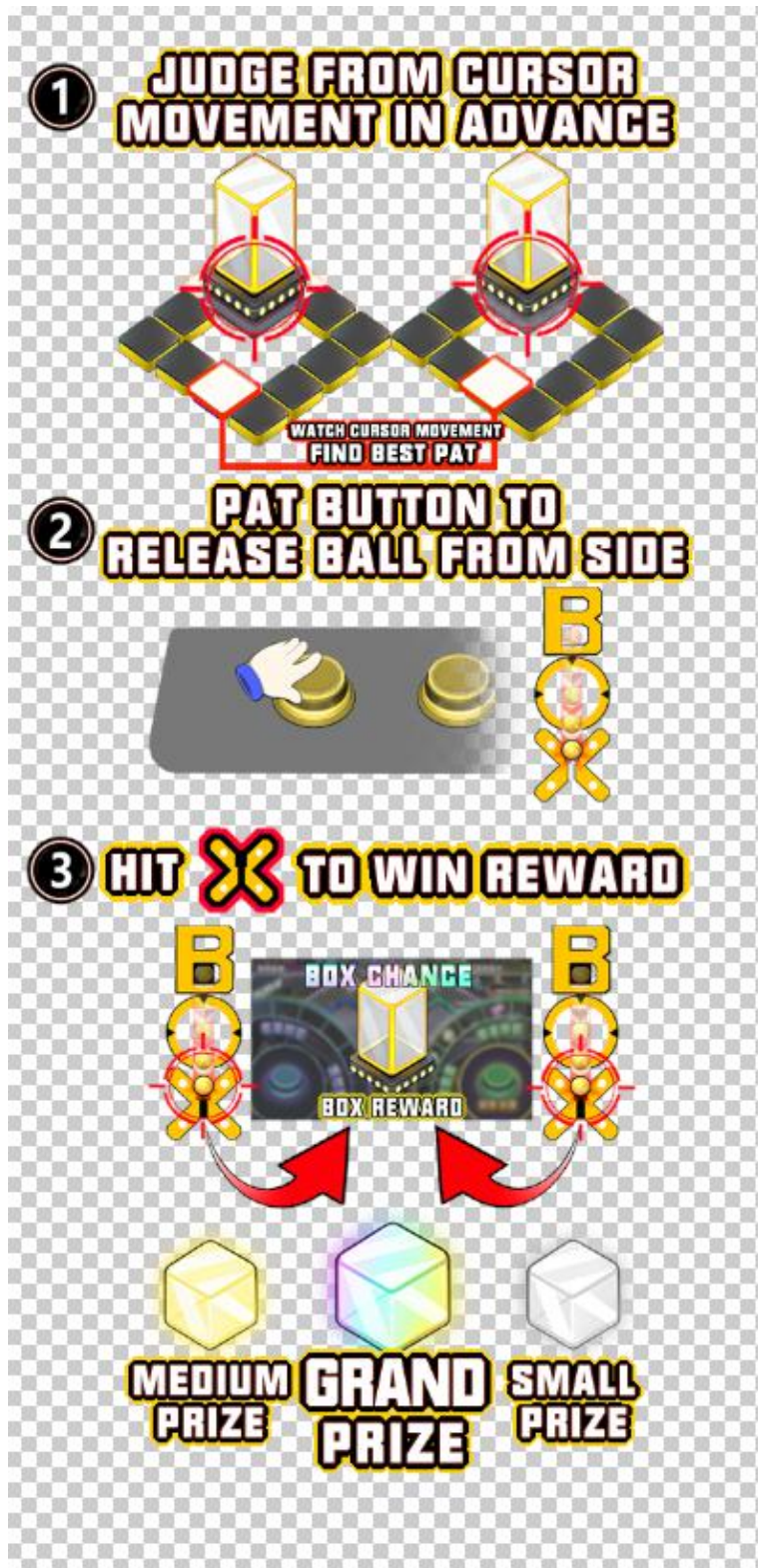


Step 5 Install ticket to the ticket dispenser.

Step 6 Power on. Enter Setting menu and test each function.

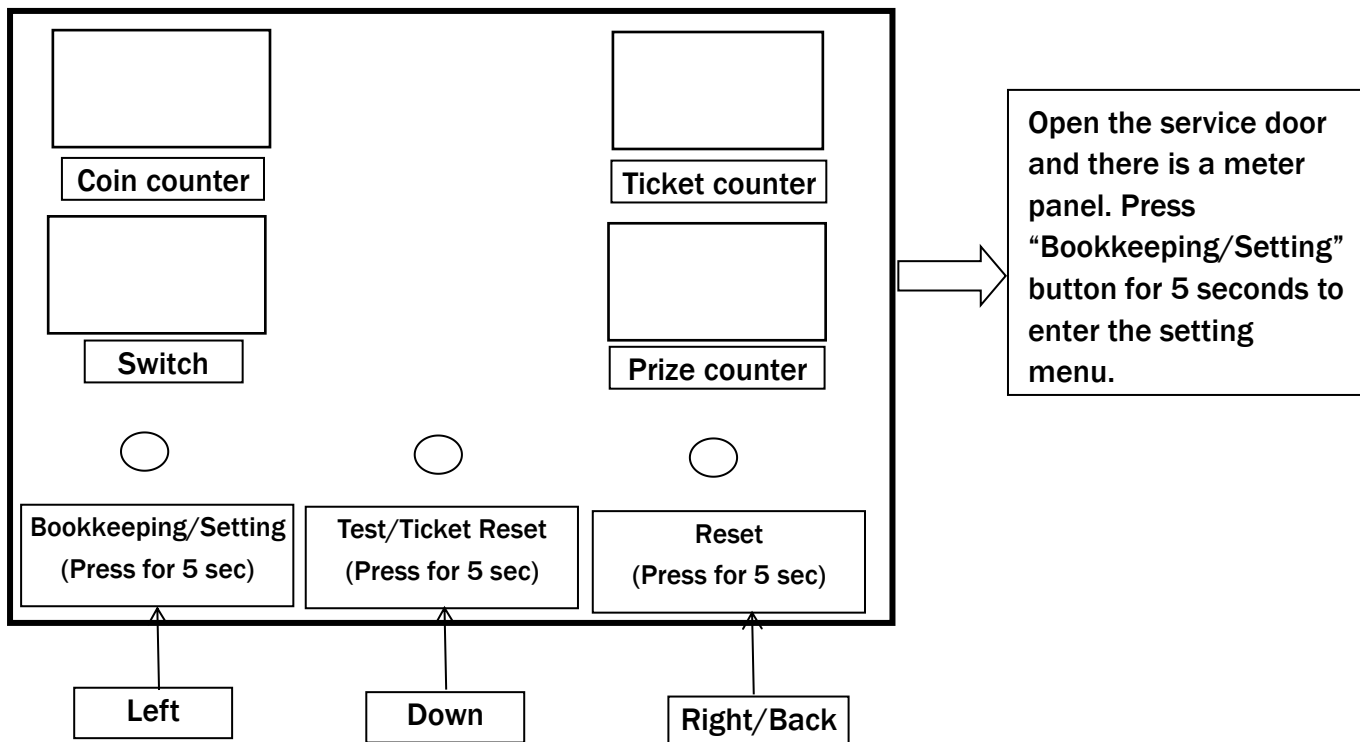
6.HOW TO PLAY

- 6.1 Insert coins/Tap card to play. Judge from cursor movement in advance. Watch cursor movement find best pat.
- 6.2 Pat button to release ball from side.
- 6.3 Hit the Box icon to win reward. Prize drop to the pusher.
- 6.4 Pusher push the prize out to win the prize in the prize out slot.



7. GAME OPTION

7.1 Adjustment button instruction



7.2 Setting menu

Options
Back&Save (Include Bookkeeping)
Basic Setting
Customized Setting
Test Mode
Factory Reset

7.3 Back&Save (Include Bookkeeping)

Total Coins	Total Tickets	Grand Prize	Medium Prize	Small Prize	
Date	Coins	Tickets	Grand	Medium	Small

7.4 Basic Setting

Options	Default	Adjustable Range	Description
Free Game	Close	Open/Close	
Pats/Game	1	1-2	
DBV Bonus	Off	On/Off	
Balls/Game	1	1-20	
Coins/Game	1	1-10	
Demo Music	Open	Open/Close	
VO Volume	100	0-100	Voice Over
BGM Volume	40	0-100	Background Music
Permanent Pusher	Close	Open/Close	
Mercy tickets	1	0-10	
Auto Pat(0 OFF)	30	0-60	
Back			

7.5 Customized Setting

Options	Default	Adjustable Range	Description
Box Payout	Difficult	Easy/Normal/Medium /Hard/Difficult	Refer to 7.5.1 for difficulty details.
Coin value/Ball	0.5		
Coin Value/Small Prize	7.5		
Coin Value/Medium Prize	7.5		
Coin Value/Grand Prize	13		
Super Spin Rate	15		
Spin Rate	15		
Spin To Win Box Rate	10		
Increase Box Chance	0.7		
Tickets/Game	4		

Options	Default	Adjustable Range	Description
Spin Reward Tickets	12		
Spin Reward Balls	8		
Grid 1&9 Reward Balls	2		Monitor display position

Over The Edge Plus GMP(Tickets) Manual

Grid 2&8 Reward Balls	4		
Grid 3&7 Reward Balls	1		
Grid 4&6 Reward Balls	2		
Grid 5 Reward Balls	2		
Credits Mode	0		Change Game mode to credit mode. Set how many credits to win 1 Box. (0 mean OFF)
Back			

7.5.1 Box Payout Details

Options	Option 1-Default	Option 2	Option 3	Option 4	Option 5
Box Payout	Difficult	Easy	Normal	Medium	Hard
Coin value/Ball	0.5	0.5	0.5	0.5	0.5
Coin Value/Small Prize	7.5	7.5	7.5	7.5	7.5
Coin Value/Medium Prize	7.5	7.5	7.5	7.5	7.5
Coin Value/Grand Prize	13	13	13	13	13
Super Spin Rate	15	15	15	15	15
Spin Rate	15	25	20	20	15
Spin To Win Box Rate	10	20	20	15	15
Increase Box Chance	0.7	0.2	0.3	0.5	0.6
Tickets/Game	4	4	4	4	4
Spin Reward Tickets	12	12	12	12	12
Spin Reward Balls	8	8	8	8	8
Grid 1&9 Reward Balls	2	2	2	2	2
Grid 2&8 Reward Balls	4	4	4	4	4

Grid 3&7 Reward Balls	1	1	1	1	1
Grid 4&6 Reward Balls	2	2	2	2	2
Grid 5 Reward Balls	2	2	2	2	2
Credits Mode	0	0	0	0	0
Back					

Box Payout: change the difficulty will impact the box payout; or change each other parameter individually (except **Tickets/Game**) will also impact the box payout accordingly.

Tickets/Game: change this parameter will impact the tickets payout only, but could not impact box payout definitely;

Note: Box Payout & Tickets Payout are controlled separately.

7.6 Test Mode

Options	Description
Swing Rod Motor	
Light/LED	
Coin Mech/Test Button	
5 Tickets/Reset Button	
L/R Button	
Box/Shake Detect	
Pusher Motor	
Panel Micro	
Top Left: 1 Ball Out	Press LEFT button to test
Top Right: 1 Ball Out	
Side: 2 Balls Out	
No.1 Prize Channel Small	
No.2 Prize Channel Small	
No.3 Prize Channel Medium	
No.4 Prize Channel Grand	
No.5 Prize Channel Medium	
No.6 Prize Channel Small	

No.7 Prize Channel Small	
No.8 Prize Channel Small	
No.9 Prize Channel Small	
No.10 Prize Channel Medium	
No.11 Prize Channel Grand	
No.12 Prize Channel Medium	
No.13 Prize Channel Small	
No.14 Prize Channel Small	
Clean the box Motor	
Anti-theft Mech Motor	
Aging Test	
Clear Balls	
Back	

7.7 Factory Reset

<p>Factory Reset?</p> <p>Yes</p> <p>Back</p> <p>Clear all records?</p>
--

8. TROUBLESHOOTING

8.1 Common Problem

Please confirm that all connectors fit tightly.

Symptom	Possible Cause	Recommended action
Game will not start	Frame assembly connector is loose.	Check connector.
	Frame assembly fault	Contact with UNIS Service.
Display display "Communication connecting..."	Connector is loose.	Check mainboard and Android board connector.
Power off	Circuit protector make power SW in off state.	Turn on power SW again. If appeared again and again, machine has anomaly. Please contact with UNIS Service.
Card reader not working	The connector is loose.	Check connector.
	Card reader fault.	Check with card reader manufacturer.
No ticket dispensing	Out of ticket.	Add ticket and press reset button
	Ticket jamming.	Remove the jammed tickets and press reset button.
	The connector is loose.	Plug the connector tightly.
No sound	Low volume	Raise the volume.
	Connector loose.	Check connector.
	Speaker fault.	Check speaker.
	Audio cable problem.	Reconnect the audio cable or change it.
Display black screen	Check connectors.	Plug in connector tightly
	Display fault.	Utilize another source such as a PC to verify if the display is operational.
Display blue screen	VGA signal cable is loose.	Check VGA cable
Insert coin but not working.	Coin mechanism faulty.	Check Coin mechanism.
Button not work /No ball-out after pressing button.	Button micro SW faulty.	Check Button micro SW.
	L&R ball-out board faulty.	Check L&R ball-out board.
	Ball hopper jammed.	Remove the jammed balls.
No outing ball/keep getting the ball out.	Ball-out sensor faulty.	Check Ball-out sensor.
	Ball hopper jammed.	Remove the jammed balls.
No prize out/keep getting the prize out.	Drive light or drive board faulty.	Check drive light or replace drive board.

Symptom	Possible Cause	Recommended action
Brush no working	Brush voltage wrong.	Check whether the drive board and motor voltage is 12V
	Brush faulty.	Replace Brush.
Panel sensor no count/no flashing.	Hoop sensor faulty.	Check hoop sensor light and hoop sensor.
Pusher no working.	Pusher voltage wrong.	Check whether the drive board and motor voltage is 12V
	Pusher motor or drive board faulty.	Replace Pusher motor or drive board

Note: After replacing component from monitor, the game should be recovered again with the recovery stick attached to the machine.

If you see following error signs showing on the display, please try the recommended action.

Display	Possible Cause	Recommended action
1.Wiper Error	Cable became loose during transportation.	Check and reconnect the loose cables of the Wiper.
	Swing motor faulty.	Replace Swing motor.
2.COM Error	The connection part of the Mainboard and Android board are loose.	Check and reconnect the loose ports of the Mainboard and Android board.
	Cable quality problem	Change the cable after checking the connection between Mainboard and Android board.
	Cable became loose during transportation.	Check and reconnect the loose cables of the Mainboard and Android board.
	Mainboard and Android board is faulty.	Reboot the game after checking connection and cable problem, if the problem remains unresolved, please call the service department for assistance.
3.Tickets Dispenser Error	Out of ticket.	Refill tickets.
	The connector is loose.	Plug the connector tightly.
	Ticket dispenser SW wrong.	Adjust the ticket dispenser SW.
	Ticket dispenser faulty.	Replace Ticket dispenser.
4.Ball Mech Error	Ball jamming.	Remove the jammed balls.
	The connector is loose.	Plug the connector tightly.
	Side ball out sensor faulty.	Replace Side ball out sensor.
	Ball mech motor faulty.	Replace Ball mech motor.

Display	Possible Cause	Recommended action
5.Pusher Error	The connector is loose.	Plug the connector tightly.
	Pusher motor faulty.	Replace Pusher motor.
	Pusher sensor faulty.	Replace Pusher sensor.
6.Top L Balls Mech Error	The connector is loose.	Plug the connector tightly.
	Top L Balls Mech jamming.	Remove the jammed thing,
	Top L ball motor faulty.	Replace Top L ball motor.
7.Top R Balls Mech Error	Top L ball sensor faulty.	Replace Top L ball sensor.
	The connector is loose.	Plug the connector tightly.
	Top R Balls Mech jamming.	Remove the jammed thing,
8.S Box Owed	Top R ball motor faulty.	Replace Top R ball motor.
	Top R ball sensor faulty.	Replace Top R ball sensor.
	No prize box on the Prize channel small.	Press the Channel button and push the baffle to the end. Refill the prize.
9.M Box Owed	No prize box on the Prize channel medium.	Press the Channel button and push the baffle to the end. Refill the prize.
10.L Box Owed	No prize box on the Prize channel top.	Press the Channel button and push the baffle to the end. Refill the prize.
11.No.X(1-14) Channel Error	No prize box on the No.X(1-14) channel.	Press the Channel button and push the baffle to the end. Refill the prize.

8.2 System Recovery Operation **(NOTE: Do not disconnect power during this process.)**

1. Turn off the game. Remove the recovery stick from the holder.
2. Turn game on. Insert the recovery stick into the port of the Android board.

Note: Don't insert the recovery stick into your Android board while is powering on the machine.

3. The game will automatically start recovery.
4. Once system recovery is finished, remove the recovery stick from the Android board.
5. Assure that the recovery stick has been properly secured for future use.



WARNING: The recovery stick should only be used to fix software errors. Using it for other purposes may cause unexpected results and damages.

9. MAINTENANCE & INSPECTION

9.1 Safety Check

Check the points listed before operating the machine. These checks are necessary for safe machine operation:

1. Test game before operation each day.
2. Conduct monthly routine checks of game components to ensure good working condition.
3. Check the machine regularly for dust and clean when necessary.

Note: Parts and components require preventative maintenance to maintain proper operation.

9.2 Handling Precautions

When installing or inspecting the machine, be very careful and pay attention to ensure that the player can enjoy the game safely.

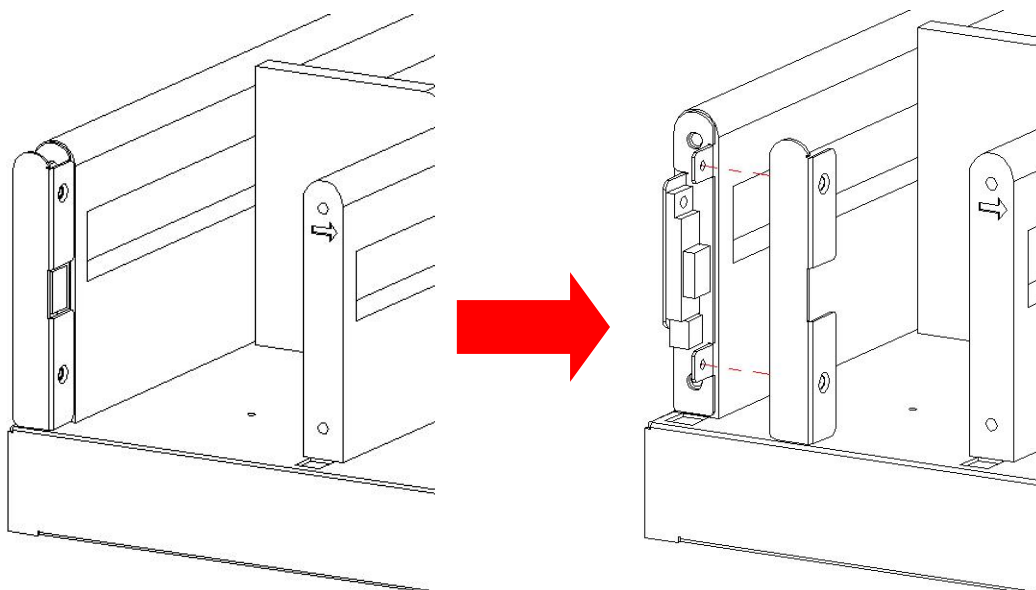
Inappropriate handling running counter to the cautionary matters can cause personal injury or damage to the machine.

NOTICE

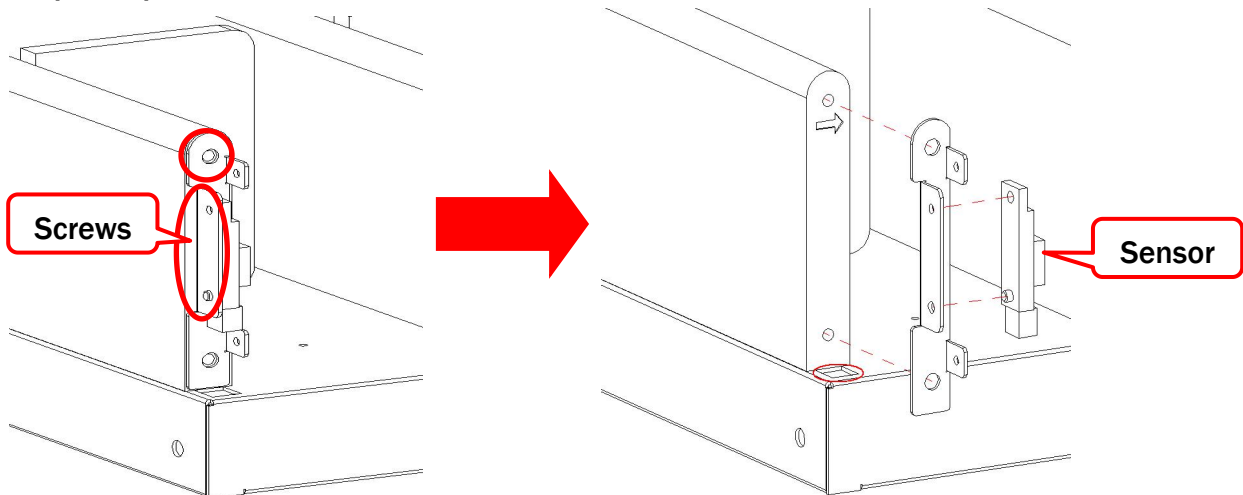
We do not recommend using power tools as they may cause damage.

9.3 Prize Box Channel Sensor Replacement Instructions

Step 1 Open Glass door. Utilize Phillips screwdriver to loosen screws. Remove Sensor fixing plate.

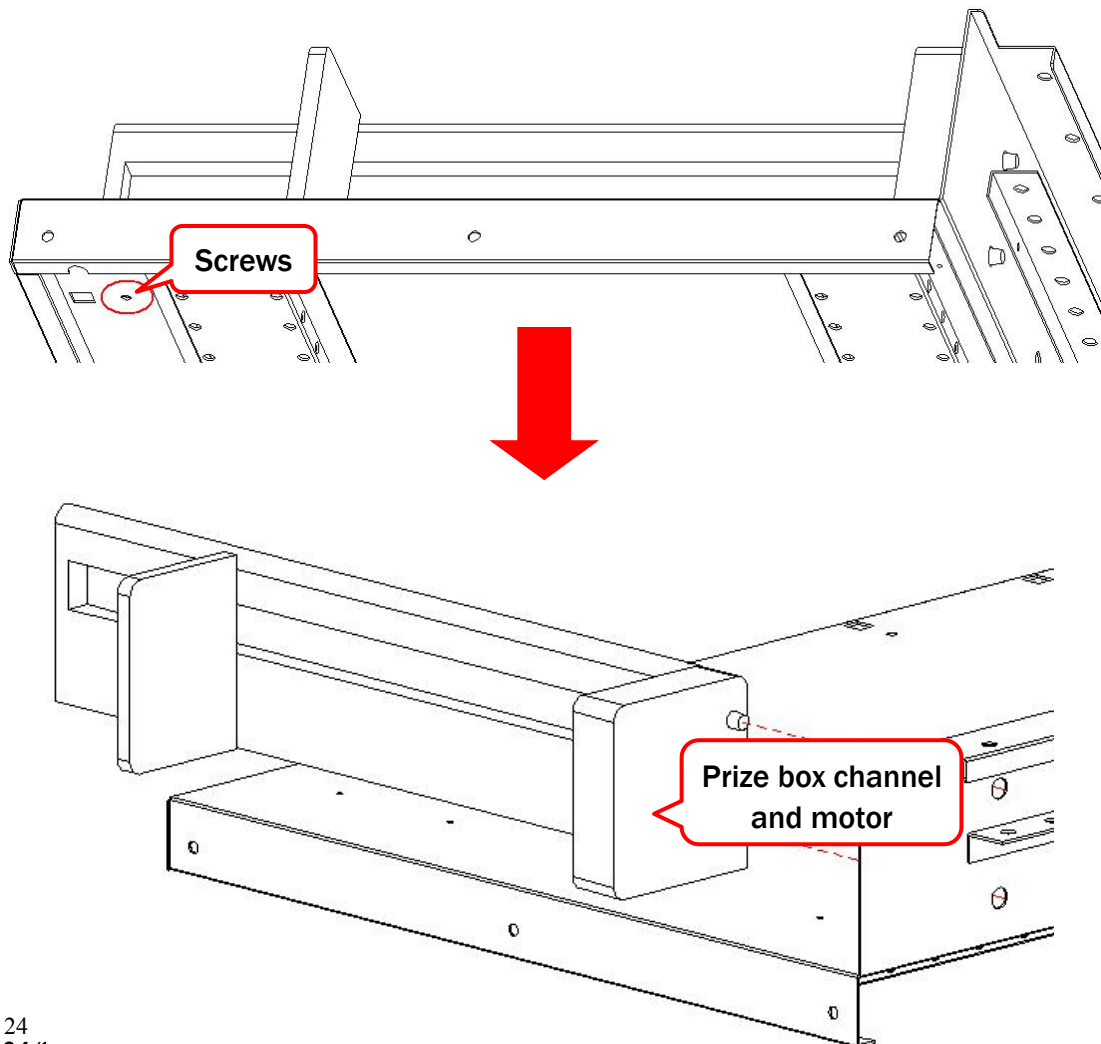


Step 2 Utilize Phillips screwdriver to loosen screws. Remove Sensor. Unplug the connector.
Step 3 Replace it with new Sensor and install it in reversed order.



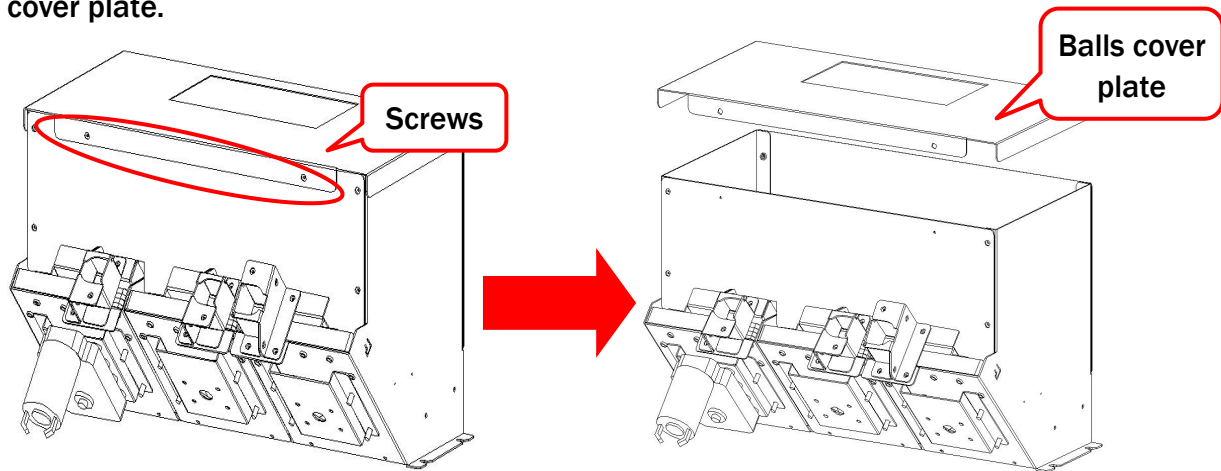
9.4 Prize Box Channel & Motor Replacement Instructions

Step 1 Open front glass door. Unplug Channel motor connectors.
Step 2 Utilize Phillips screwdriver to loosen screws indicated by circle. Remove Prize box channel and motor.
Step 3 Replace it with new Prize box channel and motor and install it in reversed order.



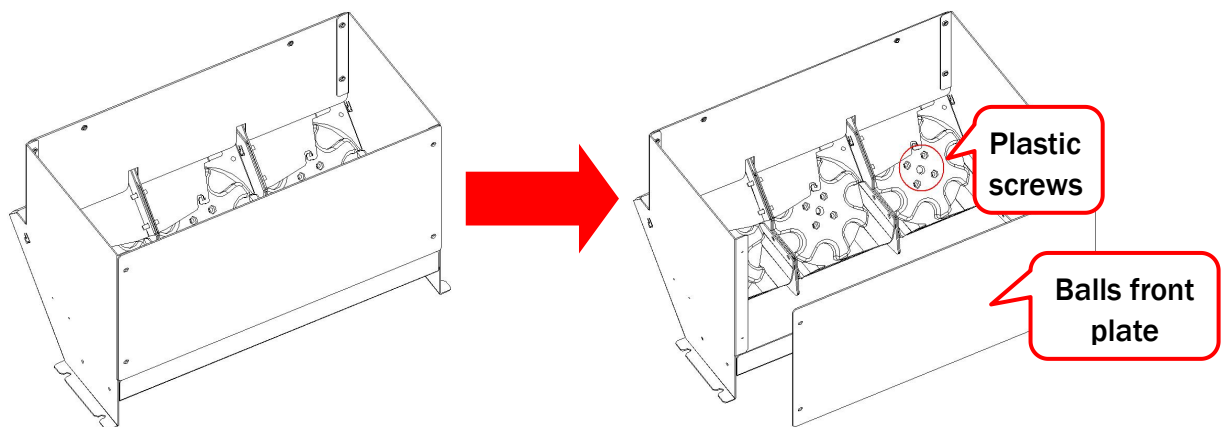
9.5 Ball-Out Motor Replacement Instructions

Step 1 Open Back bottom door. Utilize Phillips screwdriver to loosen screws. Remove Balls cover plate.

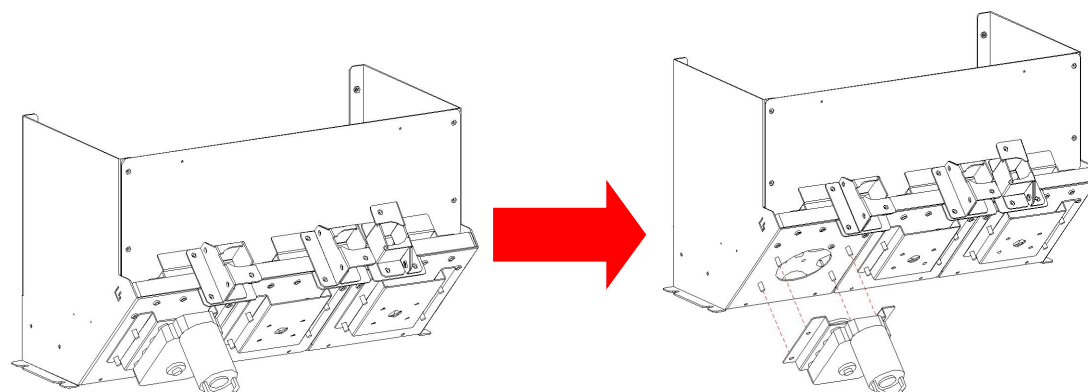


Step 2 Utilize Phillips screwdriver to loosen screws. Remove Balls front plate.

Step 3 Utilize Phillips screwdriver to loosen plastic 4 screws. (Do not remove plastic.)



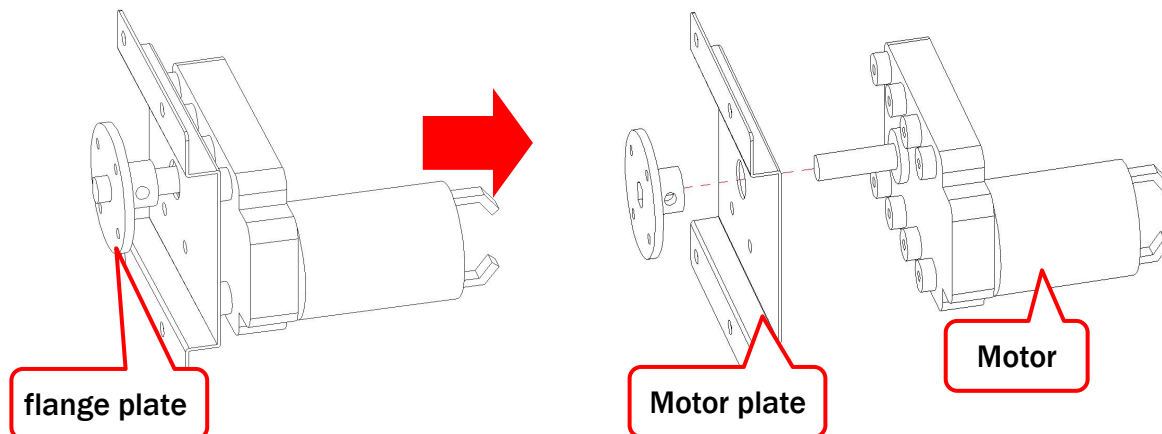
Step 4 Utilize socket wrench(7mm) to loosen nut and remove Motor assembly. Unplug connectors.



Step 5 Utilize wrench to loosen screws and remove flange plate.

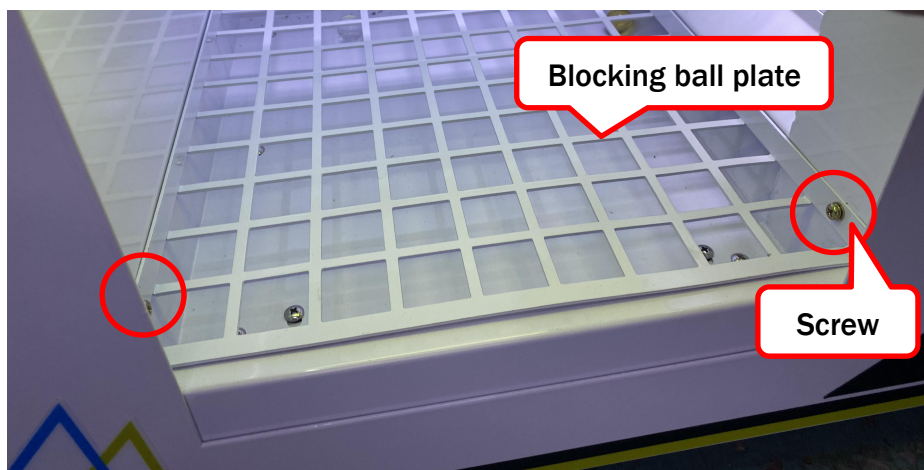
Step 6 Utilize Phillips screwdriver to loosen screws and remove motor.

Step 7 Replace it with new motor and install it in reversed order.



9.6 How to takeout the marble(balls)

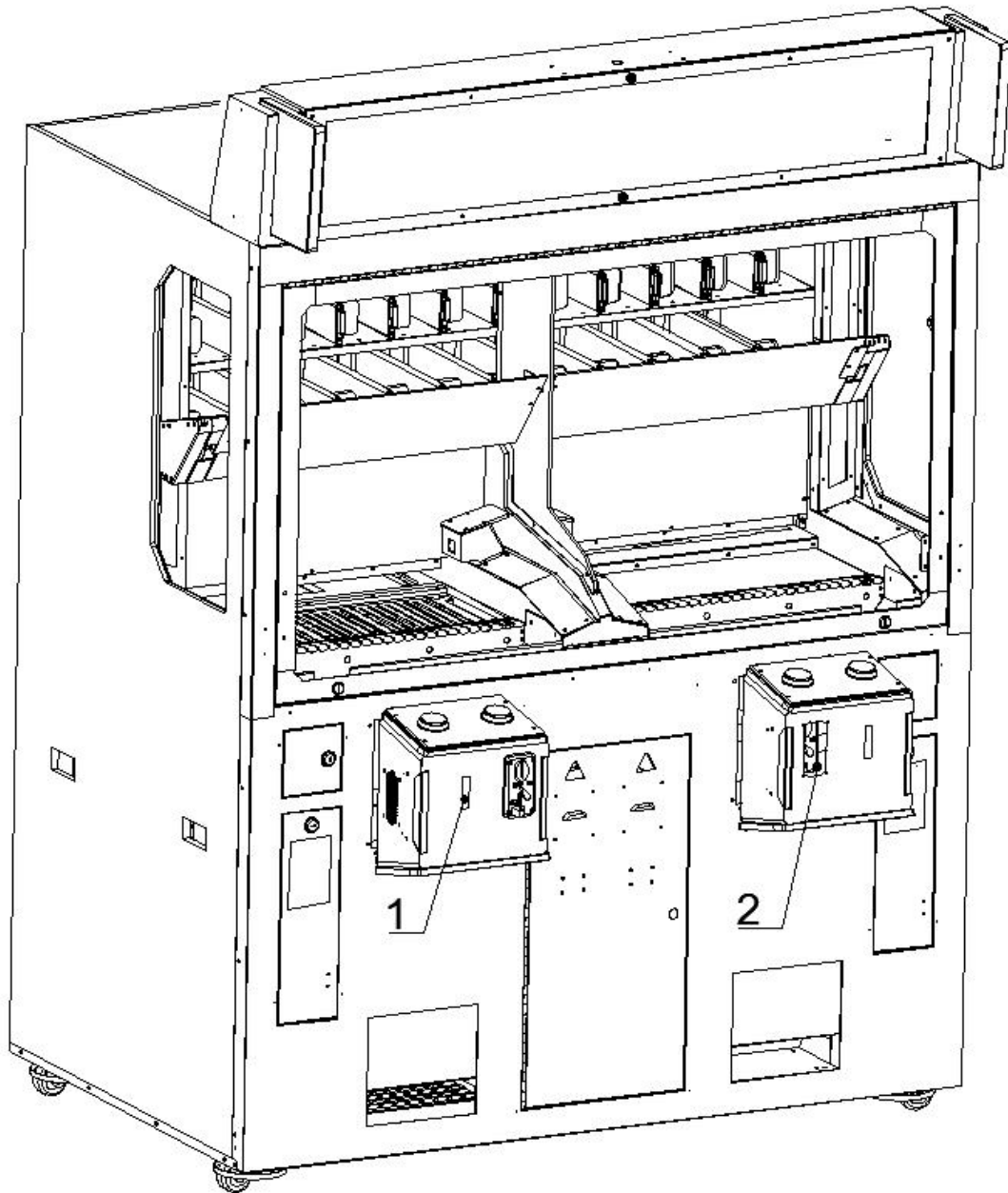
Step 1 Locate Prize out slot. Loosen 2 screws to remove Blocking ball plate.



Step 2 Take out the balls back to the pusher or Balls assembly. Install Blocking ball plate back.

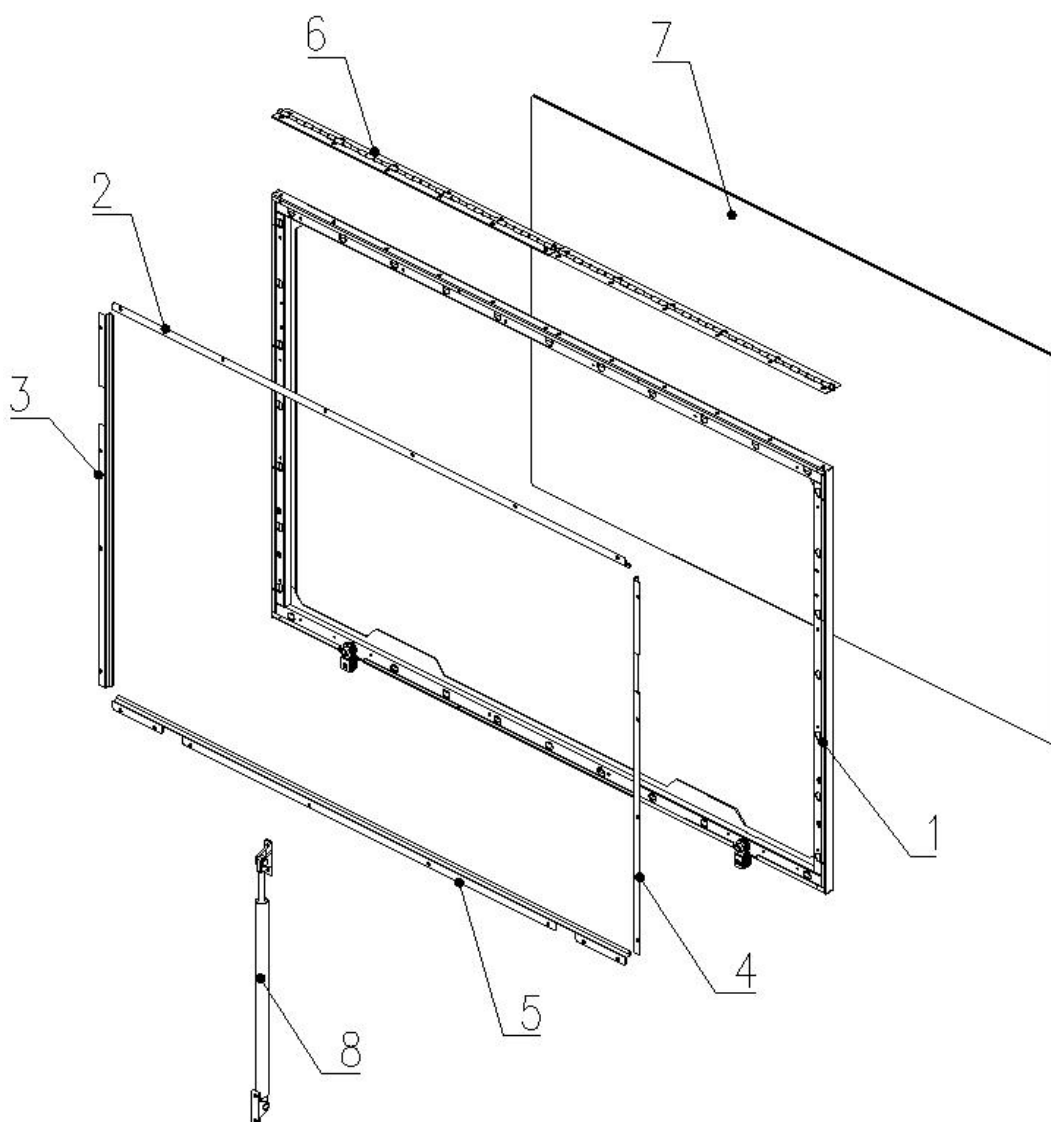
10. OVERALL CONSTRUCTION

10.1 General Assembly



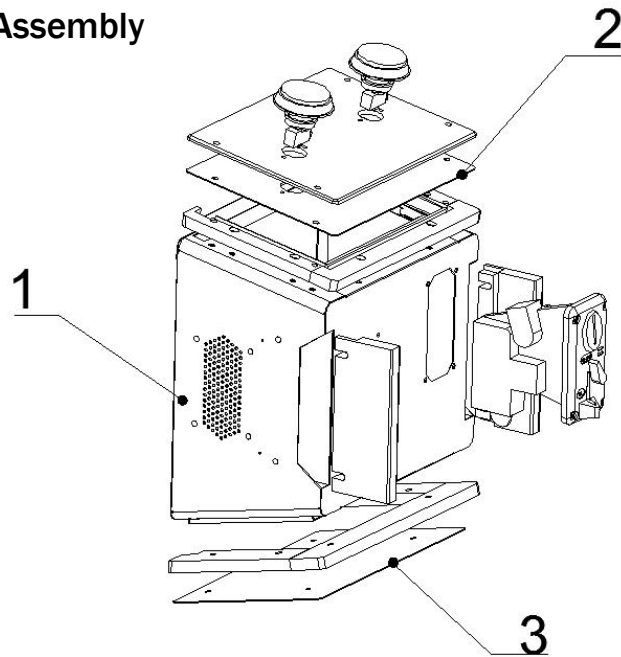
No.	Part No.	Code No.	Name	Version	Qty
1	0119-0003-00	JH8.1326.093	Blanking plate	V1.1	2
2	0119-0004-00	JH8.1326.094	Coin mech. blanking plate	V1.1	2

10.2 Glass Door



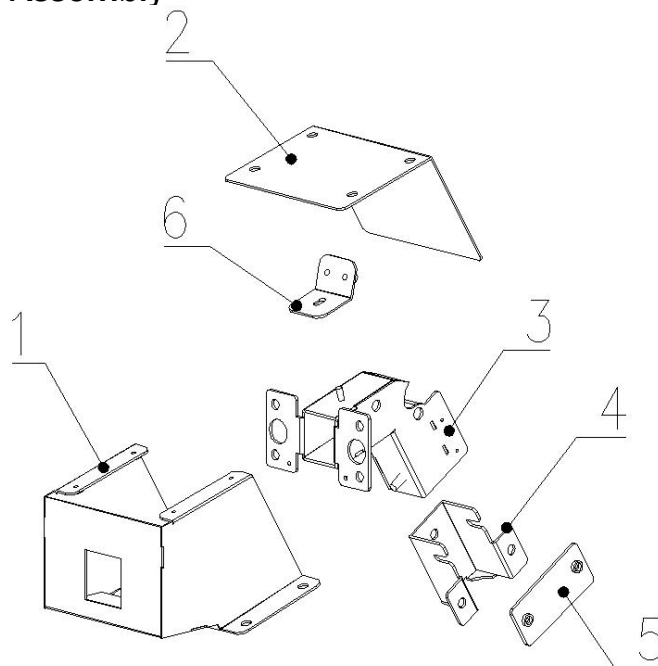
No.	Part No.	Code No.	Name	Version	Qty
1	0119-0301-00	JH6.1326.005	Glass door frame	V1.1	1
2	0119-0302-00	JH8.1326.115	Glass door upper pressing	V1.1	1
3	0119-0303-00	JH8.1326.114	Glass door L pressing	V1.1	1
4	0119-0310-00	JH8.1326.114	Glass door R pressing	V1.1	1
5	0119-0305-00	JH8.1326.113	Glass door bottom	V1.1	1
6	0119-0306-00	JH6.1326.004	Glass door hinge plate	V1.1	2
7	0119-0308-00	JH8.1326.122	Glass	V1.1	1
8	0119-0309-00	JH8.1313.185	Spring	V1.2	2

10.3 Control Panel Assembly



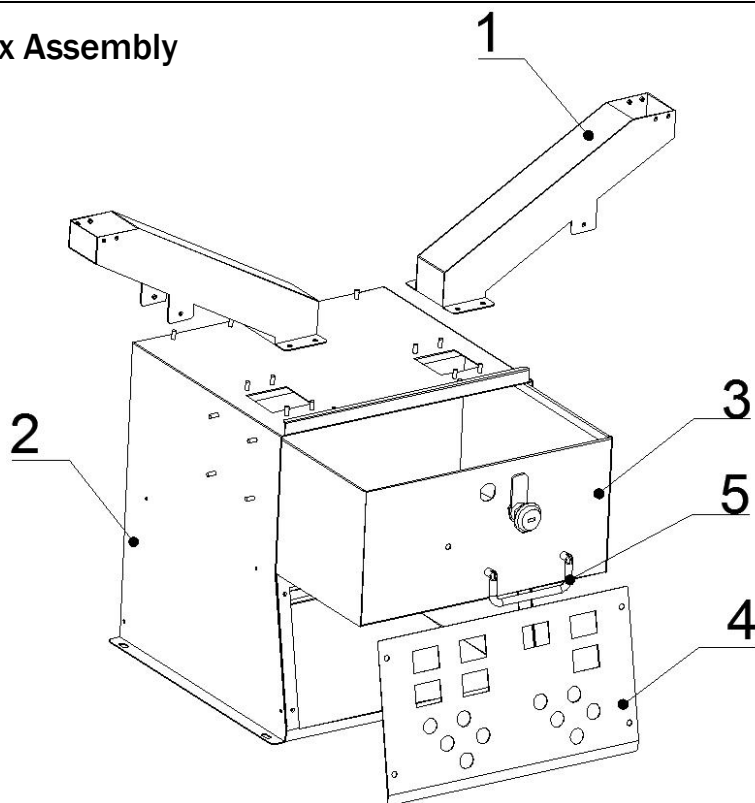
No.	Part No.	Code No.	Name	Version	Qty
1	0119-0401-00	JH6.1326.006	Control panel frame	V1.1	1X2
2	0119-0402-00	JH6.1326.007	Control panel upper plate	V1.1	1X2
3	0119-0403-00	JH8.1326.095	Control panel base plate	V1.1	1X2

10.4 Side Ball Out Assembly



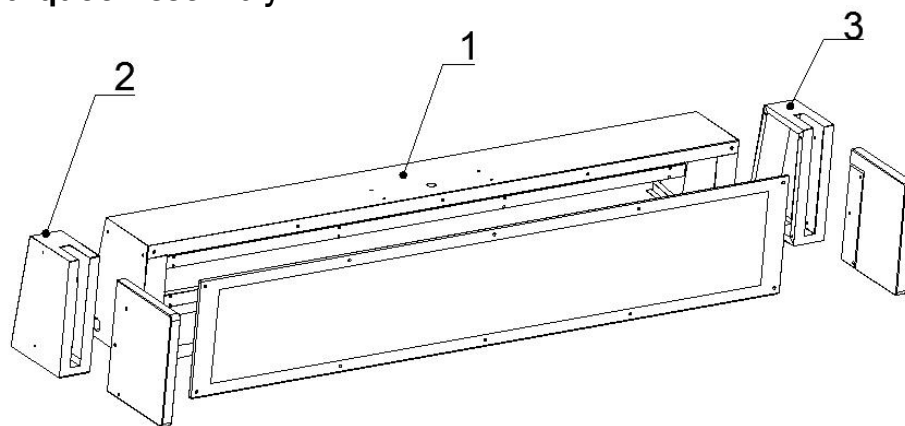
No.	Part No.	Code No.	Name	Version	Qty
1	0119-0701-00	JH6.1313.026	Side ball out frame	V1.1	1X2
2	0119-0701-00	JH6.1313.026	Side ball out frame	V1.1	1X2
3	0119-0702-00	JH8.1313.164	Side ball out upper cover	V1.1	1X2
4	0119-0703-00	JH6.1326.036	Reflect sensor plate	V1.1	1X2
5	0119-0704-00	JH8.1303.248	Ball out plate 1	V1.1	1X2
6	0119-0705-00	JH8.1303.250	Ball out plate 2	V1.1	1X2

10.5 Coin Box Assembly



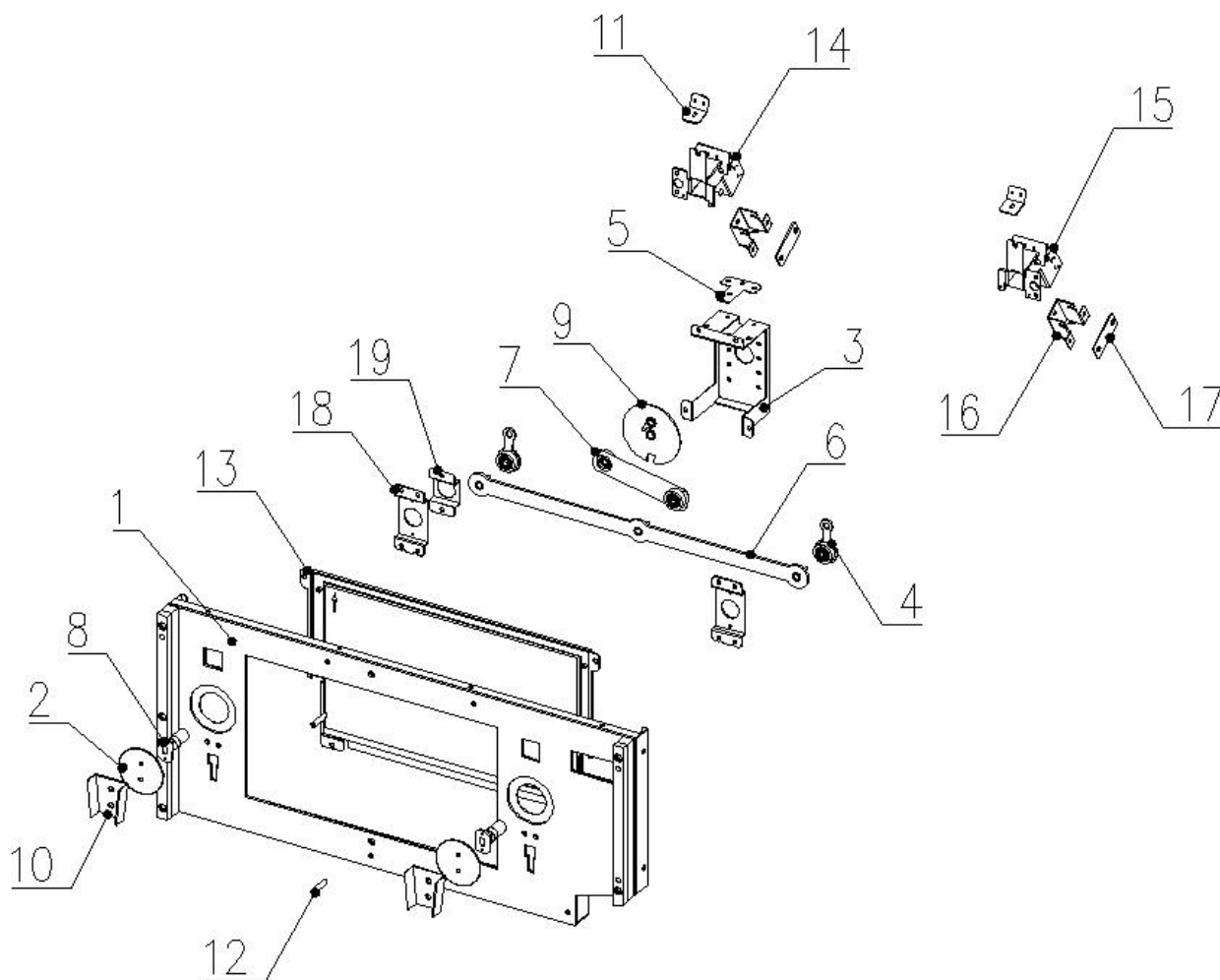
No.	Part No.	Code No.	Name	Version	Qty
1	0119-1901-00	JH6.1326.022	Coin chute bracket	V1.1	2
2	0119-1902-00	JH6.1326.023	Coin box bracket	V1.1	1
3	0119-1903-00	JH6.1326.024	Coin inner box	V1.1	1
4	0119-1904-00	JH8.1326.112	Meter bracket	V1.1	1
5	0119-0307-00	2.51.02.040019	Handle	V1.1	1

10.6 Marquee Assembly



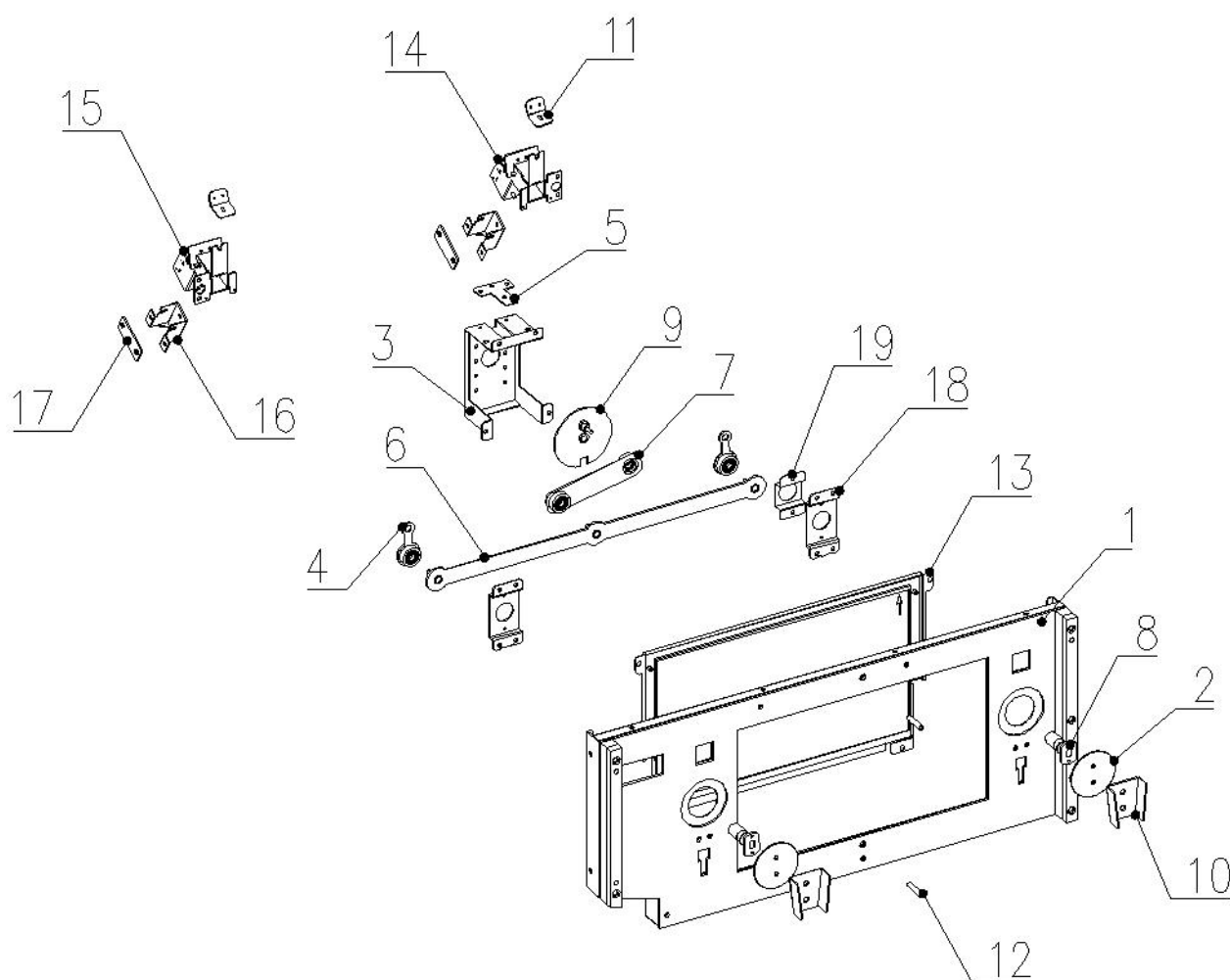
No.	Part No.	Code No.	Name	Version	Qty
1	0119-0601-00	JH6.1326.001	Top marquee bracket	V1.1	1
2	0119-0602-00	JH6.1326.002	L side marquee	V1.1	1
3	0119-0603-00	JH6.1326.002	R side marquee	V1.1	1

10.7 L Panel Assembly



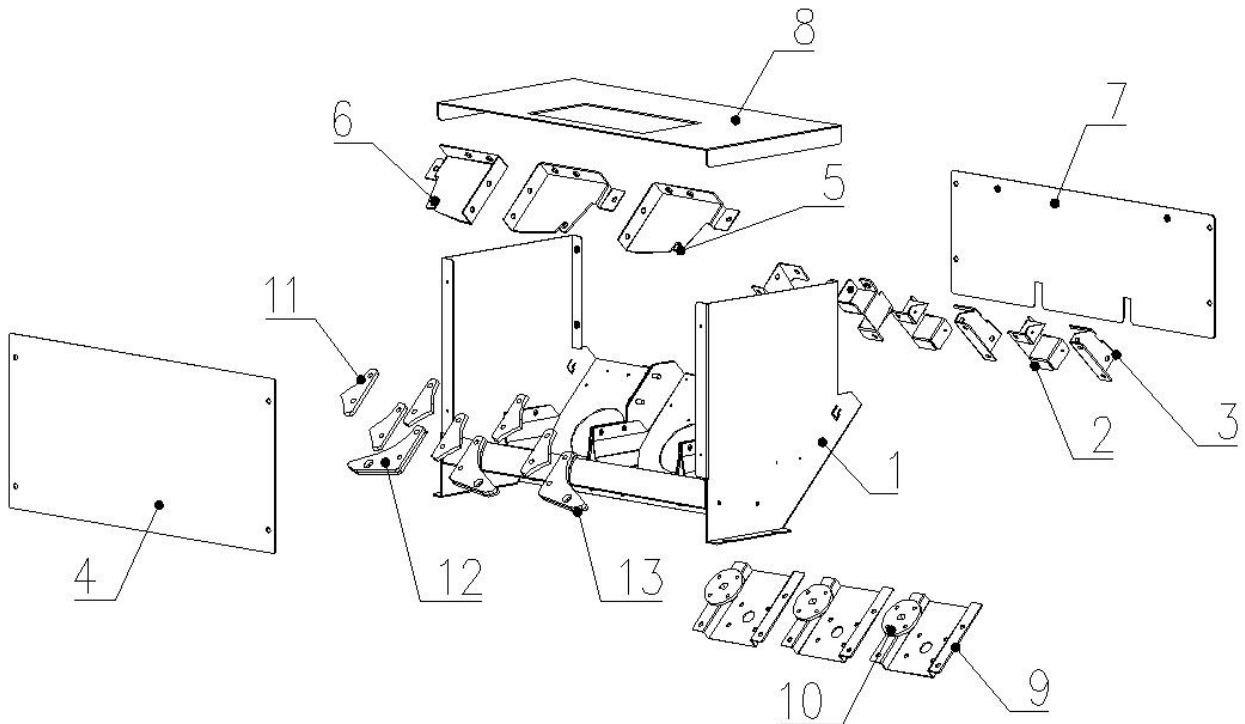
No.	Part No.	Code No.	Name	Version	Qty
1	0119-0801-00	JH6.1326.016	L monitor panel plate	V1.1	1
2	0119-0802-00	JH8.1313.119	Swing ball base plate	V1.1	2
3	0119-0803-00	JH8.1313.123	Swing ball motor base	V1.1	1
4	0119-0804-00	JH6.1313.022	Short swing arm plate	V1.1	2
5	0119-0805-00	JH8.1313.124	Swing ball sensor plate	V1.1	1
6	0119-0808-00	JH6.1313.021	Swing ball rod	V1.1	1
7	0119-0809-00	JH6.1313.023	Long swing arm plate	V1.1	1
8	0119-0810-00	JH6.1313.020	Swing ball axle	V1.1	2
9	0119-0811-00	JH6.1313.024	Panel eccentric gear plate	V1.1	1
10	0119-0813-00	JH8.1313.162	Slot	V1.1	2
11	0119-0706-00	JH8.1313.184	Sensor support plate	V1.1	2
12	0119-0815-00	JH8.1313.146	Pin	V1.1	2
13	0119-0816-00	JH8.1326.173	L monitor panel back	V1.1	1
14	0119-0817-00	JH6.1326.034	Ball out bracket A	V1.1	1
15	0119-0818-00	JH6.1326.035	Ball out bracket B	V1.1	1
16	0119-0704-00	JH8.1303.248	Ball out plate 1	V1.1	2
17	0119-0705-00	JH8.1303.250	Ball out plate 2	V1.1	2
18	0119-0806-00	JH8.1313.121	Swing ball back plate 1	V1.1	2
19	0119-0807-00	JH8.1313.122	Swing ball back plate 2	V1.1	2

10.8 R Panel Assembly



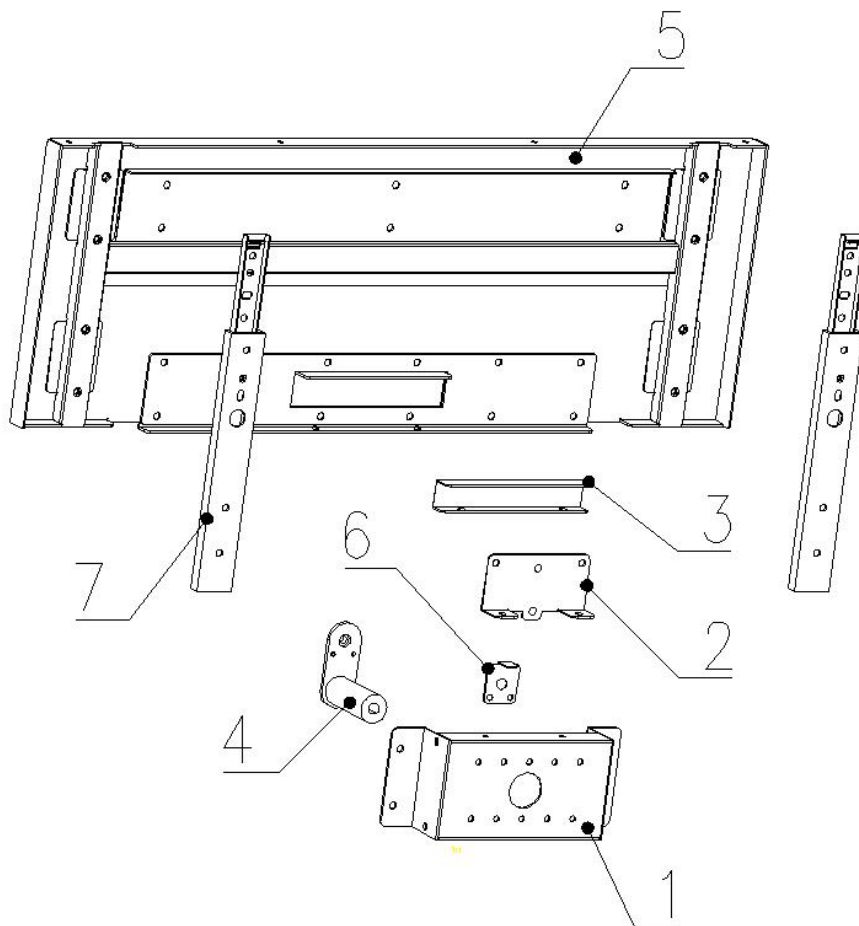
No.	Part No.	Code No.	Name	Version	Qty
1	0119-0901-00	JH6.1326.016	R monitor panel plate	V1.1	1
2	0119-0802-00	JH8.1313.119	Swing ball base plate	V1.1	2
3	0119-0803-00	JH8.1313.123	Swing ball motor base	V1.1	1
4	0119-0804-00	JH6.1313.022	Short swing arm plate	V1.1	2
5	0119-0805-00	JH8.1313.124	Swing ball sensor plate	V1.1	1
6	0119-0808-00	JH6.1313.021	Swing ball rod	V1.1	1
7	0119-0809-00	JH6.1313.023	Long swing arm plate	V1.1	1
8	0119-0810-00	JH6.1313.020	Swing ball axle	V1.1	2
9	0119-0811-00	JH6.1313.024	Panel eccentric gear plate	V1.1	1
10	0119-0813-00	JH8.1313.162	Slot	V1.1	2
11	0119-0706-00	JH8.1313.184	Sensor support plate	V1.1	2
12	0119-0815-00	JH8.1313.146	Pin	V1.1	2
13	0119-0902-00	JH8.1326.174	R monitor panel back	V1.1	1
14	0119-0817-00	JH6.1326.034	Ball out bracket A	V1.1	1
15	0119-0818-00	JH6.1326.035	Ball out bracket B	V1.1	1
16	0119-0704-00	JH8.1303.248	Ball out plate 1	V1.1	2
17	0119-0705-00	JH8.1303.250	Ball out plate 2	V1.1	2
18	0119-0806-00	JH8.1313.121	Swing ball back plate 1	V1.1	2
19	0119-0807-00	JH8.1313.122	Swing ball back plate 2	V1.1	2

10.9 Ball-Out Assembly



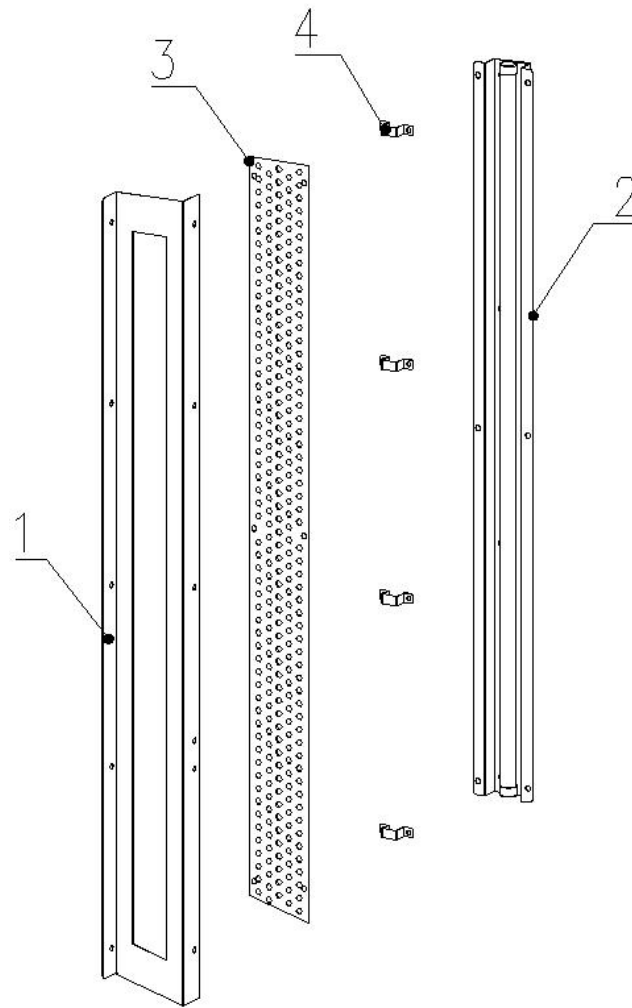
No.	Part No.	Code No.	Name	Version	Qty
1	0119-1001-00	JH6.1326.032	Ball out bracket	V1.1	1X2
2	0119-1002-00	JH8.1326.165	Ball out chute plate 1	V1.1	3X2
3	0119-1003-00	JH8.1326.166	Ball out chute plate 3	V1.1	3X2
4	0119-1004-00	JH8.1326.158	Ball out bracket front plate	V1.1	1X2
5	0119-1005-00	JH8.1326.160	Ball out chute upper plate 1	V1.1	2X2
6	0119-1006-00	JH8.1326.161	Ball out chute upper plate 2	V1.1	1X2
7	0119-1007-00	JH8.1326.159	Ball out bracket back plate	V1.1	1X2
8	0119-1008-00	JH8.1326.157	Ball out bracket upper plate	V1.1	1X2
9	0119-1009-00	JH8.1326.167	Ball out motor plate	V1.1	3X2
10	0119-1010-00	JH6.1326.033	Upper ball out flange plate	V1.1	3X2
11	0119-1012-00	JH8.1326.162	Half-round plate upper	V1.1	6X2
12	0119-1013-00	JH8.1326.163	Half-round plate middle	V1.1	3X2
13	0119-1014-00	JH8.1326.164	Half-round plate bottom	V1.1	3X2

10.10 Pusher Assembly



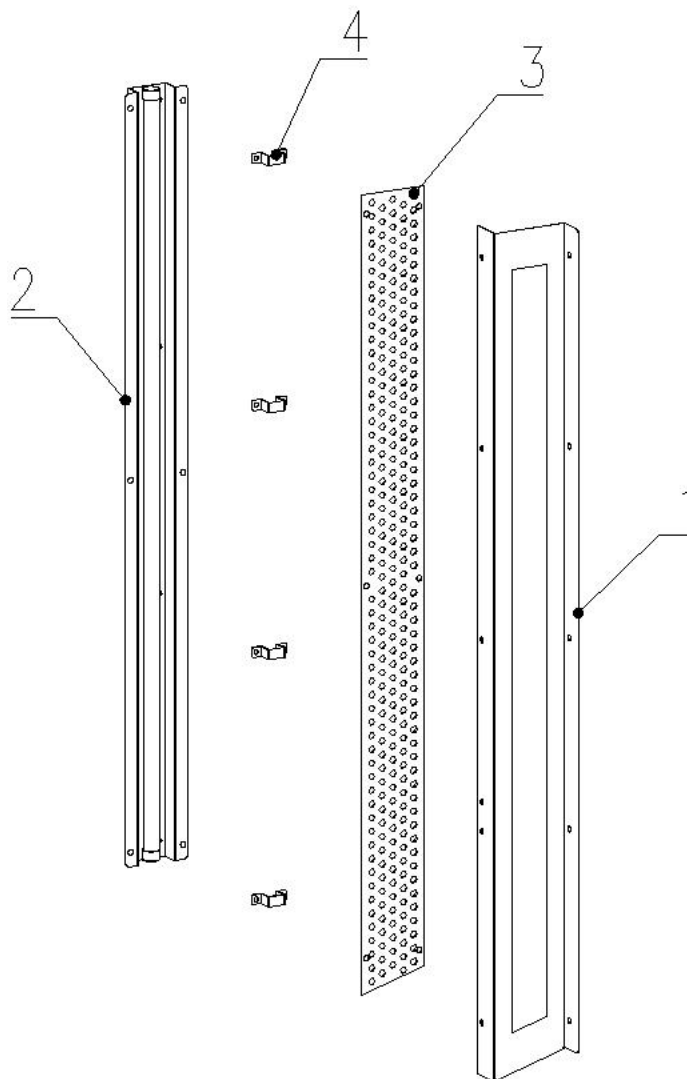
No.	Part No.	Code No.	Name	Version	Qty
1	0119-1101-00	JH8.1313.125	Pusher motor plate	V1.1	1X2
2	0119-1102-00	JH8.1303.214	Pusher sensor plate	V1.1	1X2
3	0119-1103-00	JH8.1313.145	Pusher sliding wheel slot	V1.1	1X2
4	0119-1104-00	JH6.1313.025	Pusher rod plate	V1.1	1X2
5	0119-1105-00	JH6.1326.017	Pusher bracket	V1.1	1X2
6	0119-1106-00	JH8.1159.129	Sensor plate	V1.1	1X2
7	0119-1107-00	2.51.05.020027	Rail plate	V1.1	2X2

10.11 L Side Light Plastic



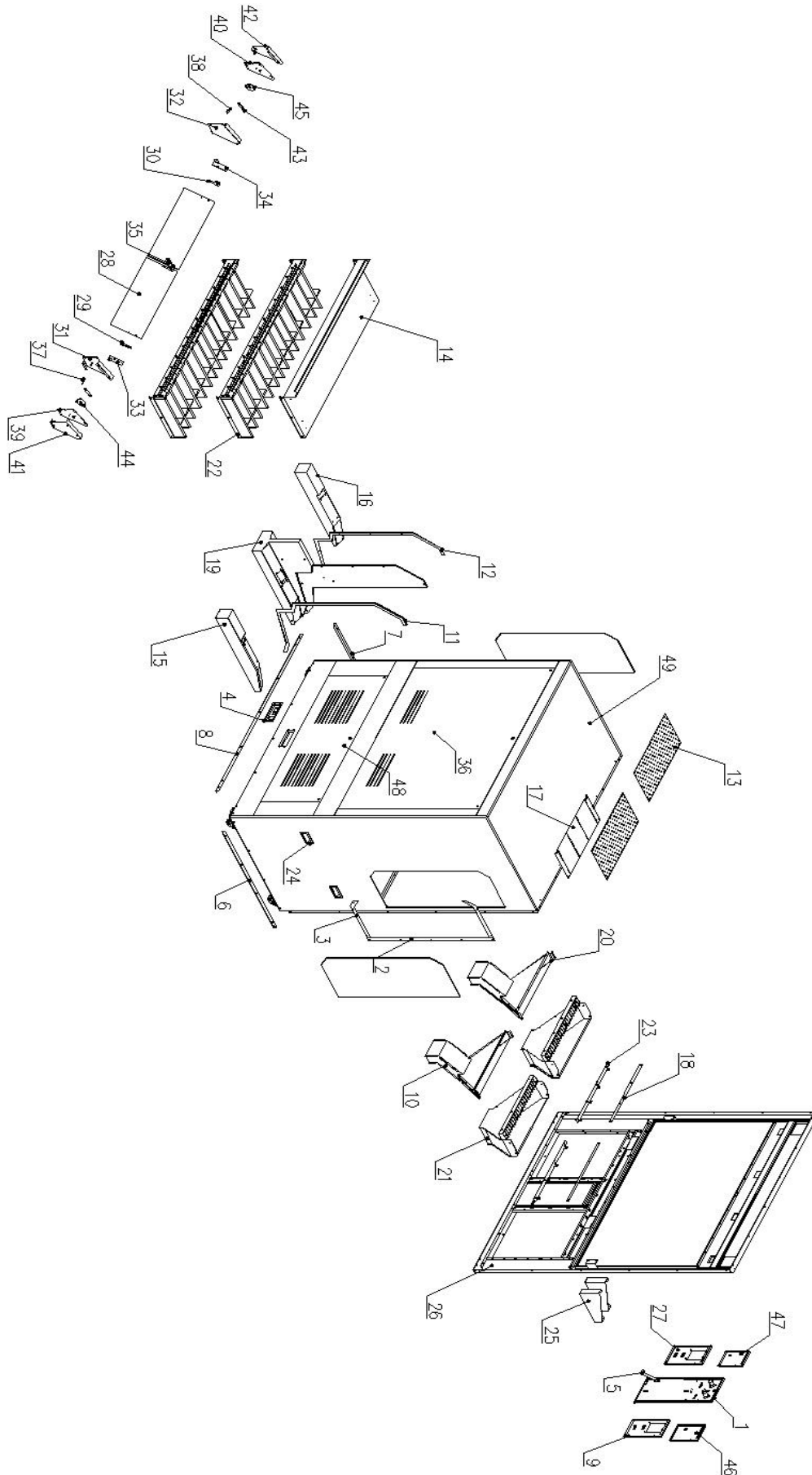
No.	Part No.	Code No.	Name	Version	Qty
1	0119-1201-00	JH8.1326.105	L side light plate	V1.1	1
2	0119-1202-00	JH8.1326.107	Side light support plate	V1.1	1
3	0119-1203-00	JH8.1326.106	Inner net plate	V1.1	1
4	0119-1204-00	JH8.1313.172	Long light strip plate	V1.1	4

10.12 R Side Light Plastic



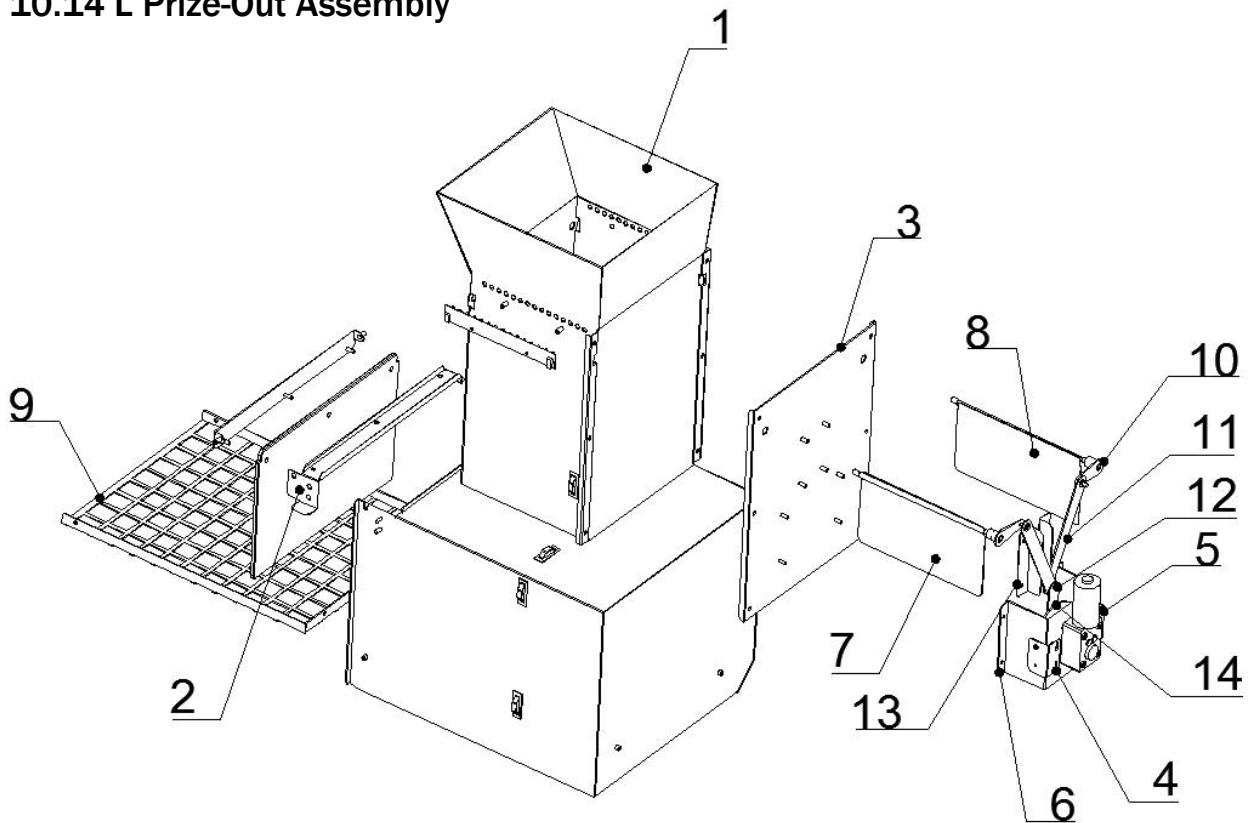
No.	Part No.	Code No.	Name	Version	Qty
1	0119-1301-00	JH8.1326.105	R side light plate	V1.1	1
2	0119-1202-00	JH8.1326.107	Side light support plate	V1.1	1
3	0119-1203-00	JH8.1326.106	Inner net plate	V1.1	1
4	0119-1204-00	JH8.1313.172	Long light strip plate	V1.1	4

10.13 Cabinet Assembly



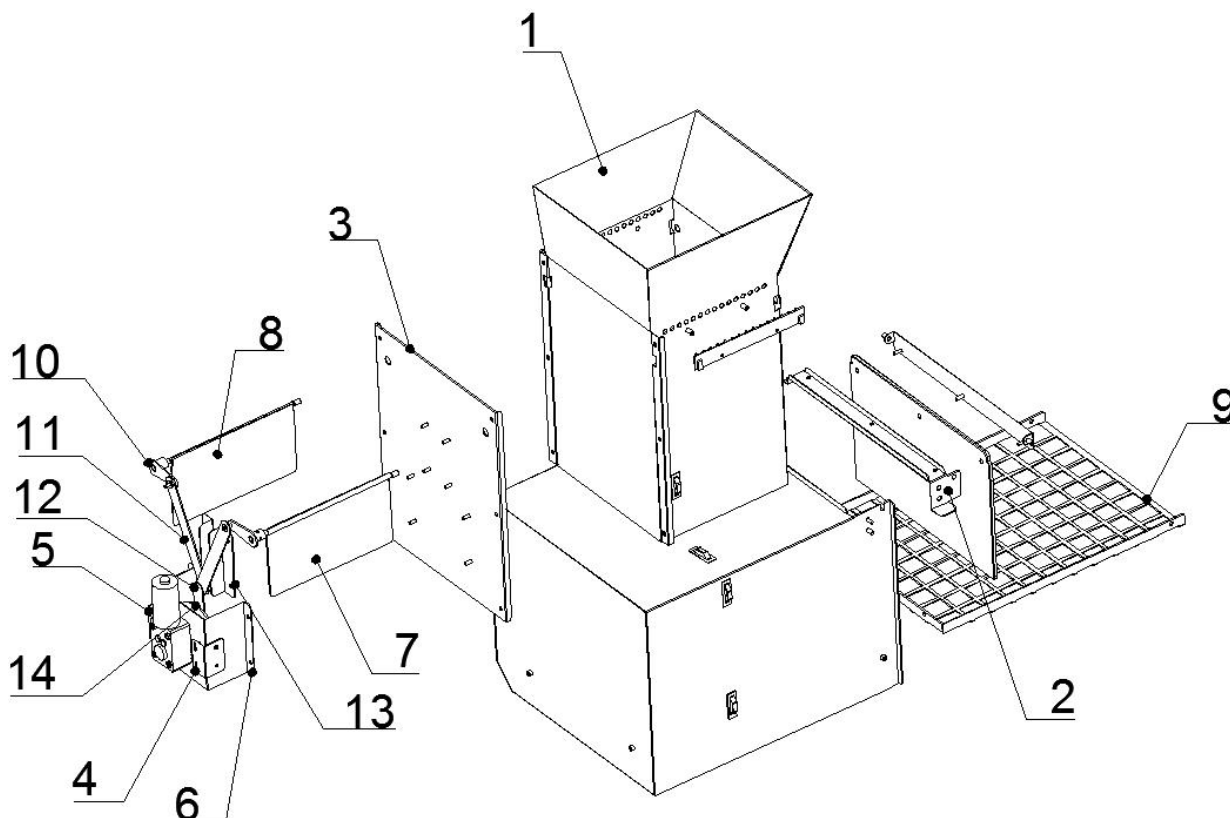
No.	Part No.	Code No.	Name	Version	Qty
1	0119-0101-00	JH6.1326.024b	Front door board plate	V1.1	1
2	0119-0102-00	JH8.1326.103	Side glass fixing plate 1	V1.2	2
3	0119-0103-00	JH8.1326.104	Side glass fixing plate 2	V1.2	2
4	0119-0104-00	JH8.1261.452	Power switch fixing plate	V1.1	1
5	0119-0105-00	JH8.1326.111	L door blocking plate	V1.1	1
6	0119-0106-00	JH8.1326.090	L bottom protect plate	V1.1	1
7	0119-0107-00	JH8.1326.090	R bottom protect plate	V1.1	1
8	0119-0108-00	JH8.1326.091	Front bottom protect plate	V1.1	1
9	0119-0109-00	JH6.1326.008	DBV door plate L	V1.1	1
10	0119-0110-00	JH6.1326.019	L ball chue plate	V1.1	1
11	0119-0111-00	JH8.1326.100	Inner mid acrylic plate 1	V1.1	1
12	0119-0112-00	JH8.1326.101	Inner mid acrylic plate 2	V1.1	1
13	0119-0113-00	JH8.1326.108	Front net plate	V1.1	2
14	0119-0114-00	JH6.1326.013	Upper channel blocking	V1.1	1
15	0119-0115-00	JH6.1326.014	Pusher L side bracket	V1.1	1
16	0119-0116-00	JH6.1326.014	Pusher R side bracket	V1.1	1
17	0119-0117-00	JH8.1326.110	Pusher light plate	V1.1	2
18	0119-0118-00	JH8.1326.102	Pusher front plate 1	V1.1	2
19	0119-0119-00	JH6.1326.015	Pusher middle plate	V1.1	1
20	0119-0120-00	JH6.1326.019	R ball chute plate	V1.1	1
21	0119-0121-00	JH6.1326.018	Prize-in slot bracket	V1.1	2
22	0119-0122-00	JH6.1326.012	Prize box channel	V1.1	2
23	0119-0123-00	JH8.1326.109	Angle plate	V1.1	2
24	0119-0124-00	2.51.02.040018	Handle	V1.1	4
25	0119-0125-00	JH6.TY.002	Ticket box	V1.1	2
26	0119-0126-00	JH6.1326.003	Front cover plate	V1.1	1
27	0119-0127-00	JH6.1326.008	DBV door plate R	V1.1	1
28	0119-0128-00	206.2.2248.003	Acrylic plastic	V1.1	2
29	0119-0129-00	JH6.1326.029	L side acrylic plate	V1.1	2
30	0119-0130-00	JH6.1326.029	R side acrylic plate	V1.1	2
31	0119-0131-00	JH8.1326.147	L motor bracket	V1.1	1
32	0119-0132-00	JH8.1326.147	R motor bracket	V1.1	1
33	0119-0133-00	JH8.1326.149	L pin plate	V1.1	1
34	0119-0134-00	JH8.1326.149	R pin plate	V1.1	1
35	0119-0135-00	JH8.1326.150	Middle plate	V1.1	1
36	0119-0136-00	JH8.1326.125	Back upper door plate	V1.1	1
37	0119-0137-00	JH8.1326.148	L sensor plate	V1.1	1
38	0119-0138-00	JH8.1326.148	R sensor plate	V1.1	1
39	0119-0139-00	JH8.1326.146	L motor cover plate	V1.1	1
40	0119-0140-00	JH8.1326.146	R motor cover plate	V1.1	1
41	0119-0141-00	JH8.1326.145	L side bracket	V1.1	1
42	0119-0142-00	JH8.1326.145	R side bracket	V1.1	1
43	0119-0143-00	JH6.1326.030	Bearing rod plate	V1.1	2
44	0119-0144-00	JH6.1326.031	L Rotation flange plate	V1.1	1
45	0119-0145-00	JH6.1326.031	R Rotation flange plate	V1.1	1
46	0119-0146-00	JH6.1326.009	L door plate	V1.1	1
47	0119-0147-00	JH6.1326.009	R door plate	V1.1	1
48	0119-0149-00	JH8.1326.126	Back bottom door plate	V1.1	1
49	0119-0200-00	JH8.1326.124	Cabinet wooden case	V1.1	1

10.14 L Prize-Out Assembly



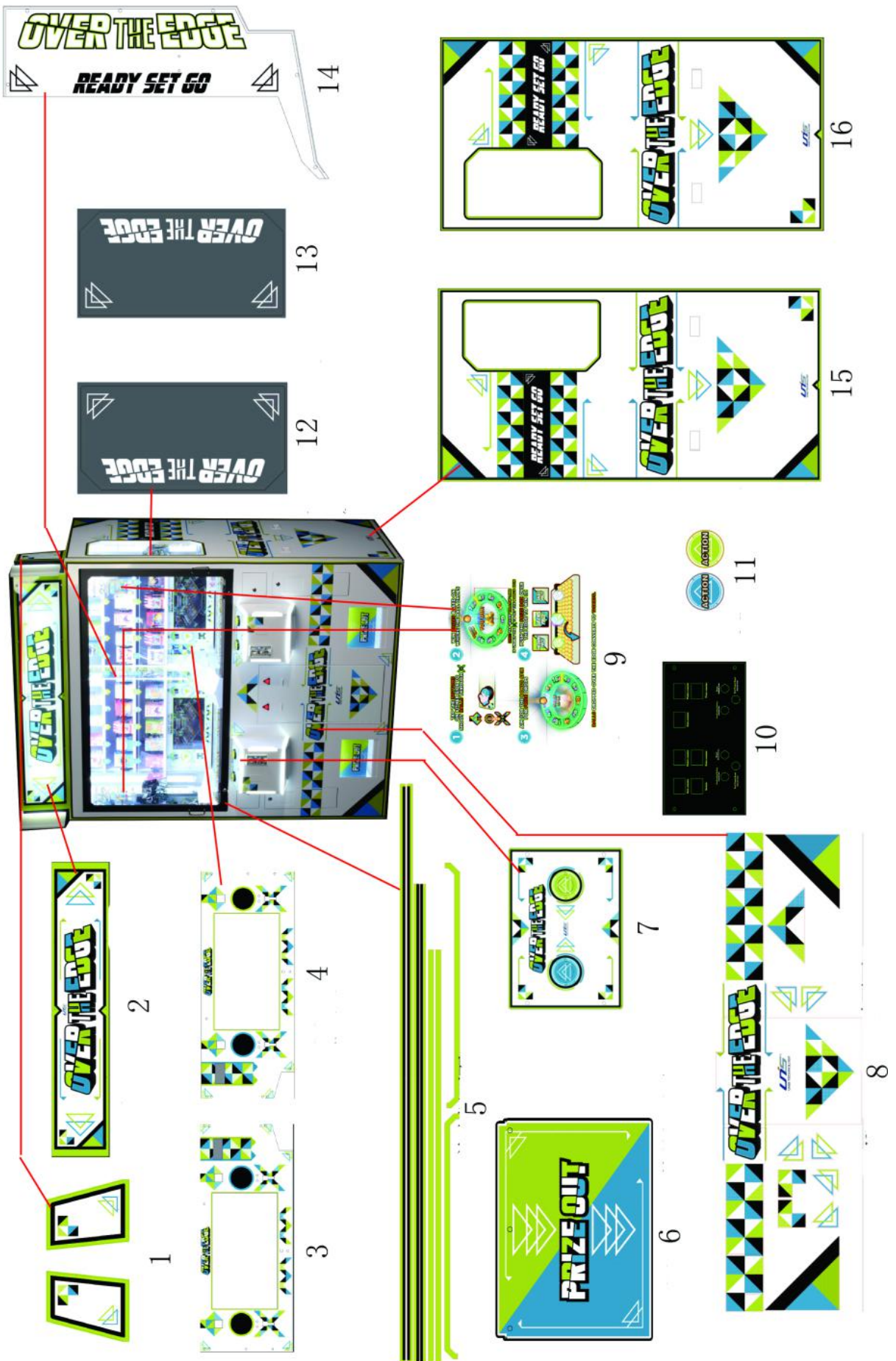
No.	Part No.	Code No.	Name	Version	Qty
1	0119-0501-00	JH6.1326.020	L Prize-Out bracket	V1.1	1
2	0119-0502-00	JH8.1326.097	Prize-out light plate	V1.1	1
3	0119-0503-00	JH8.1326.118	Prize-out motor plate	V1.1	1
4	0119-0504-00	JH8.1326.138	L Prize-out sensor plate	V1.1	1
5	0119-0505-00	JH8.1326.138	R Prize-out sensor plate	V1.1	1
6	0119-0506-00	JH8.1326.137	Motor plate	V1.1	1
7	0119-0507-00	JH6.1326.025	L blocking plate	V1.1	1
8	0119-0508-00	JH6.1326.025	R blocking plate	V1.1	1
9	0119-0509-00	JH8.1326.175	Ball plate	V1.1	1
10	0119-0510-00	JH6.1326.026	Rotation rod plate	V1.1	2
11	0119-0511-00	JH6.1326.028	Long rod plate	V1.1	2
12	0119-0512-00	JH8.1326.136	Short rod plate	V1.1	2
13	0119-0513-00	JH8.1326.139	Rod guiding plate	V1.1	2
14	0119-0514-00	JH6.1326.027	Rotation flange plate	V1.1	1

10.15 R Prize-Out Assembly

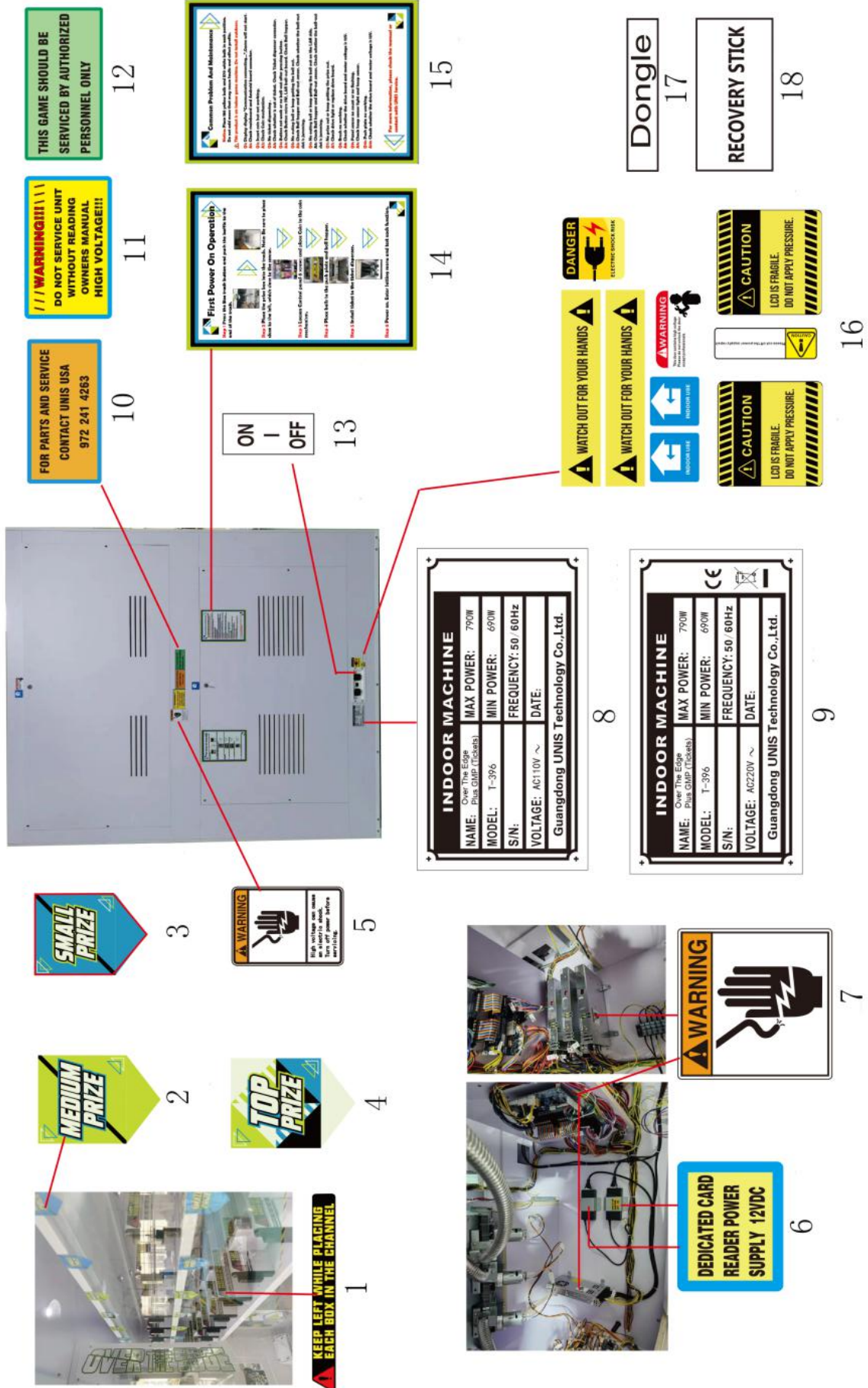


No.	Part No.	Code No.	Name	Version	Qty
1	0119-1801-00	JH6.1326.020	R Prize-Out bracket	V1.1	1
2	0119-0502-00	JH8.1326.097	Prize-out light plate	V1.1	1
3	0119-0503-00	JH8.1326.118	Prize-out motor plate	V1.1	1
4	0119-0504-00	JH8.1326.138	L Prize-out sensor plate	V1.1	1
5	0119-0505-00	JH8.1326.138	R Prize-out sensor plate	V1.1	1
6	0119-0506-00	JH8.1326.137	Motor plate	V1.1	1
7	0119-0507-00	JH6.1326.025	L blocking plate	V1.1	1
8	0119-0508-00	JH6.1326.025	R blocking plate	V1.1	1
9	0119-0509-00	JH8.1326.175	Ball plate	V1.1	1
10	0119-0510-00	JH6.1326.026	Rotation rod plate	V1.1	2
11	0119-0511-00	JH6.1326.028	Long rod plate	V1.1	2
12	0119-0512-00	JH8.1326.136	Short rod plate	V1.1	2
13	0119-0513-00	JH8.1326.139	Rod guiding plate	V1.1	2
14	0119-0514-00	JH6.1326.027	Rotation flange plate	V1.1	1

10.16 Decals

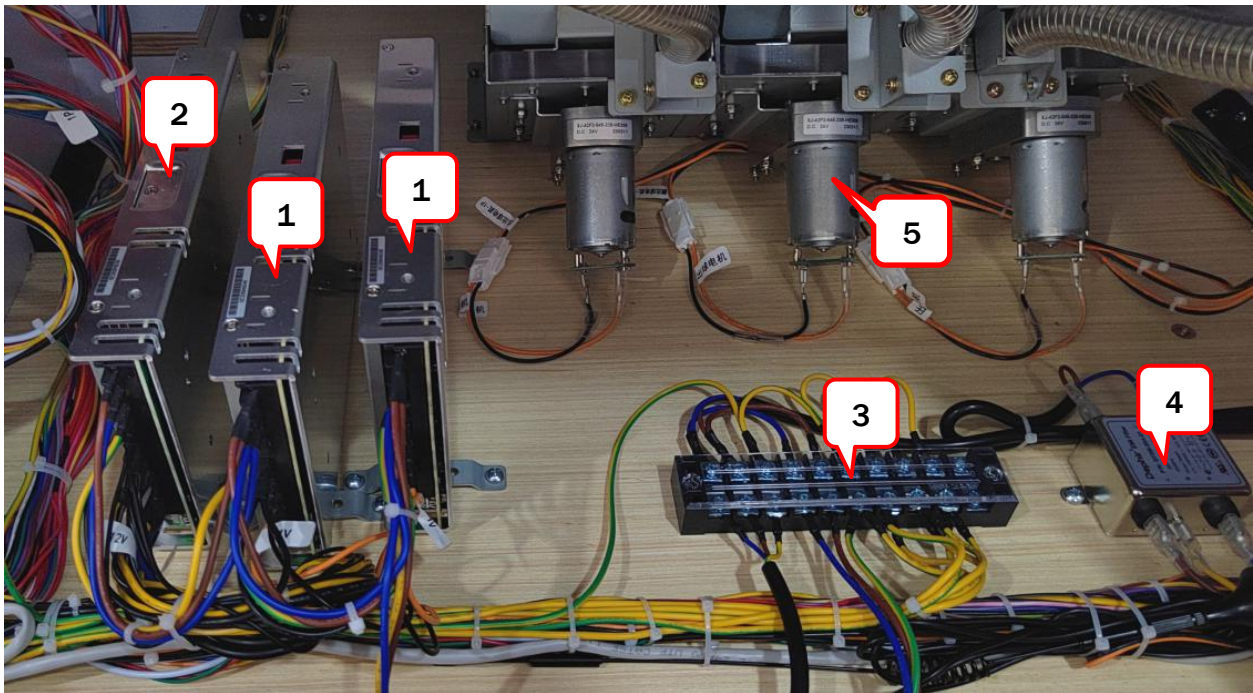


No.	Part No.	Code No.	Name	Version	Qty
1	0119-1615-00	205.8.22128.109	Marquee side decal	V1.1	2
2	0119-1631-00	205.8.22128.102	Marquee decal	V1.1	1
3	0119-1632-00	205.8.22128.103	L monitor panel plastic	V1.1	1
4	0119-1633-00	205.8.22128.104	R monitor panel plastic	V1.1	1
5	0119-1617-00	205.8.22128.112	Front frame plastic	V1.1	1
6	0119-1635-00	205.8.22128.106	Prize out plastic	V1.1	2
7	0119-1630-00	205.8.22128.101	Control panel plastic	V1.1	2
8	0119-1616-00	205.8.22128.111	Front plastic	V1.1	1
9	0119-1605-00	205.2.2248.018	How to play instruction	V1.1	2
10	0119-1628-00	205.8.22128.115	Meter panel decal	V1.1	1
11	0119-1604-00	205.2.2248.010	Button decal	V1.1	2
12	0119-1636-00	205.8.22128.116	L side glass	V1.1	1
13	0119-1637-00	205.8.22128.117	R side glass	V1.1	1
14	0119-1634-00	205.8.22128.105	Middle plastic	V1.1	1
15	0119-1614-00	205.8.22128.108	L side decal	V1.1	1
16	0119-1613-00	205.8.22128.107	R side decal	V1.1	1

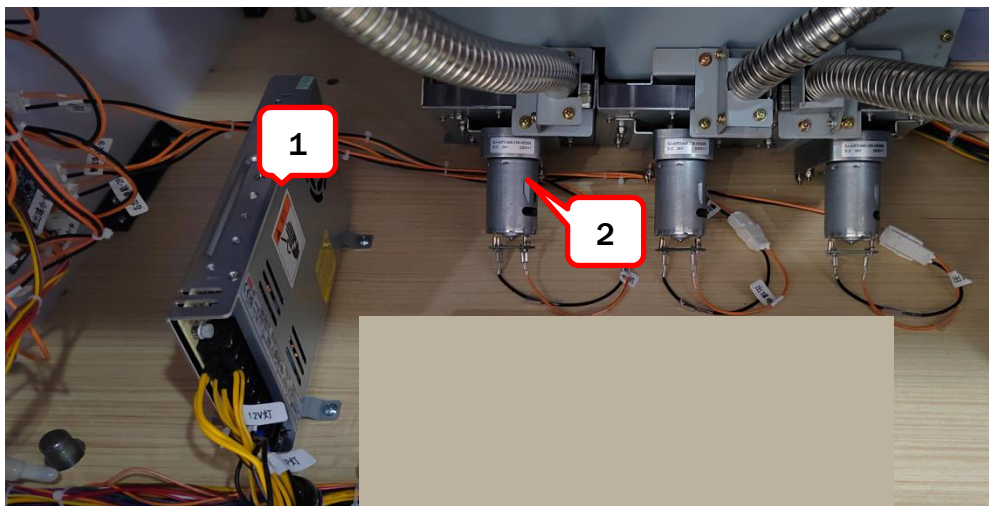


No.	Part No.	Code No.	Name	Version	Qty
1	0119-1612-00	205.2.2248.032	Placing notice decal	V1.1	28
2	0119-1609-00	205.2.2248.029	Medium prize label	V1.1	8
3	0119-1610-00	205.2.2248.030	Small prize label	V1.1	16
4	0119-1608-00	205.2.2248.028	Top prize label	V1.1	4
5	0119-1642-00	2.56.00.000037	High voltage label(L)	V1.1	1
6	0119-1621-00	205.1.1605A.040	Adapter decal	V1.1	1
7	0119-1643-00	2.56.00.000036	High voltage label(S)	V1.1	1
8	0119-1618-00	205.8.22128.113	110V nameplate	V1.1	1
9	0119-1619-00	205.8.22128.114	220V nameplate(CE)	V1.1	1
10	0119-1625-00	2.56.00.000095A	Service PVC(orange)	V1.1	1
11	0119-1623-00	2.56.00.000067A	Maintenance PVC(yellow)	V1.1	1
12	0119-1622-00	2.56.00.000042A	Maintenance PVC(green)	V1.1	1
13	0119-1601-00	2.56.00.000017	Power SW decal	V1.1	1
14	0119-1611-00	205.2.2248.031	First power on operation	V1.1	1
15	0119-1607-00	205.2.2248.027	Maintenance instruction	V1.1	1
16	0119-1606-00	205.2.2248.026	Warning labels	V1.1	1
17	0119-1644-00	2.56.00.000093	Dongle decal	V1.1	1
18	0119-1645-00	2.56.00.000116	Recovery stick decal	V1.1	1

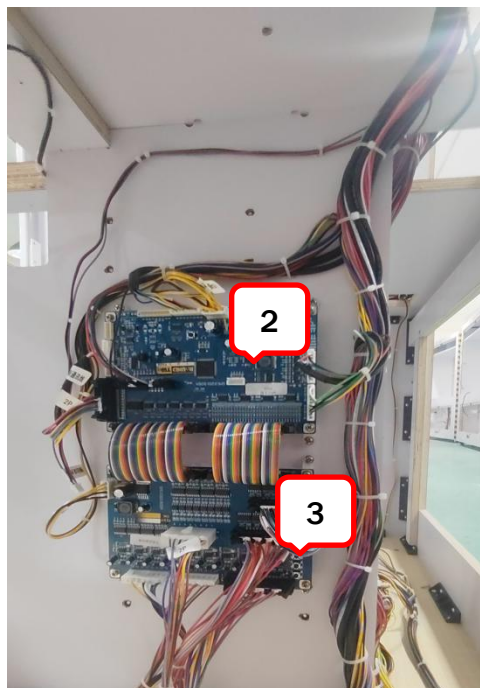
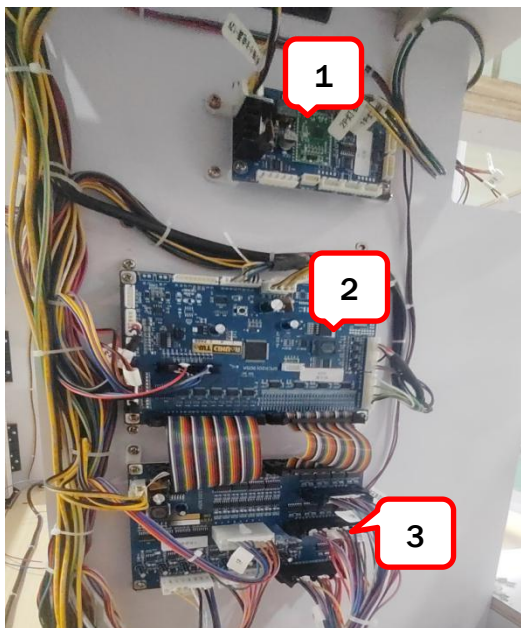
10.17 Electrical Components



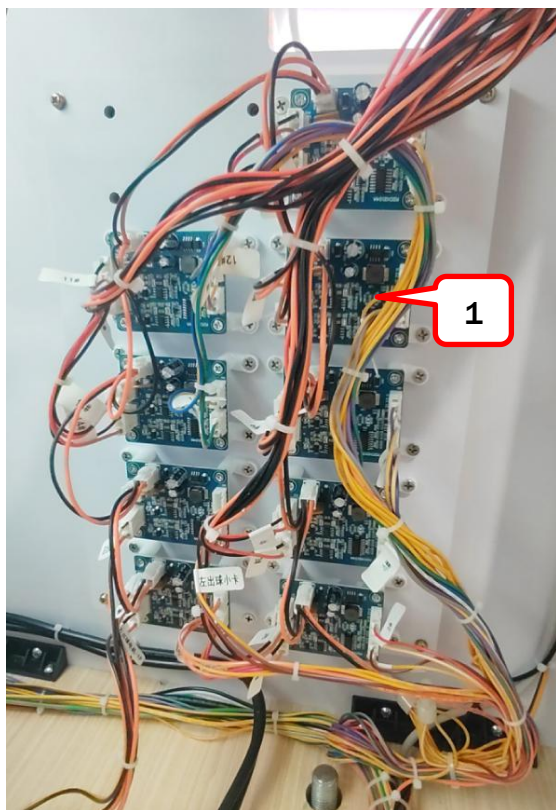
No.	Part No.	Code No.	Name	Version	Qty
1	0119-1517-00	2.16.02.000105	Power supply(24V)	V1.1	2
2	0119-1516-00	2.16.02.000117	Power supply(12V)	V1.1	1
3	0119-1504-00	2.19.02.000020	Wiring bar	V1.1	1
4	0119-1512-00	2.32.01000010	Filter	V1.1	1
5	0119-1405-00	2.34.04.010086	Ball-out motor	V1.1	3



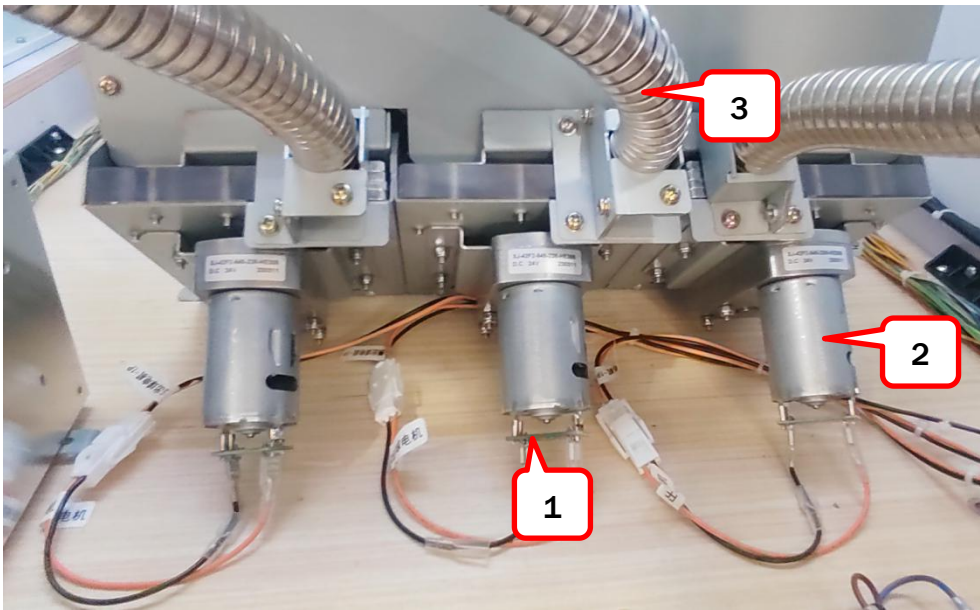
No.	Part No.	Code No.	Name	Version	Qty
1	0119-1516-00	2.16.02.000117	Power supply(12V)	V1.1	1
2	0119-1405-00	2.34.04.010086	Ball-out motor	V1.1	3



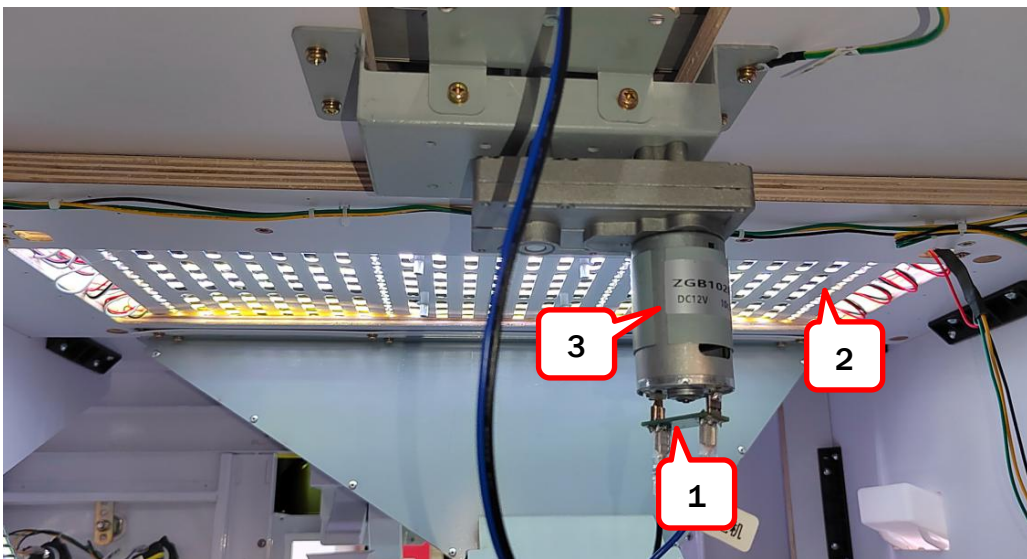
No.	Part No.	Code No.	Name	Version	Qty
1	0119-1714-00	208.8.22128.014	8811 light control board	V1.1	1
2	0119-1702-00	208.8.22128.002	Mainboard	V1.1	2
3	0119-1703-00	208.8.22128.003	Drive board	V1.1	2



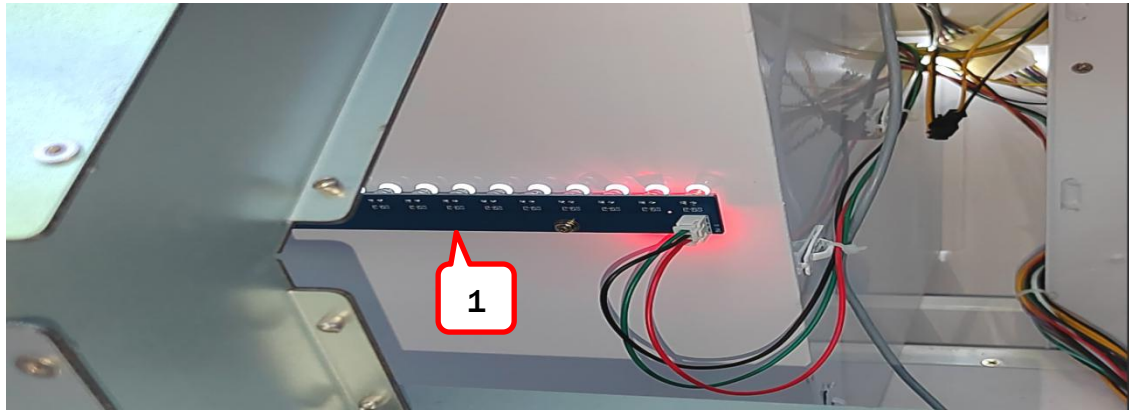
No.	Part No.	Code No.	Name	Version	Qty
1	0119-1704-00	208.8.22128.004	Dual-road drive board	V1.1	9



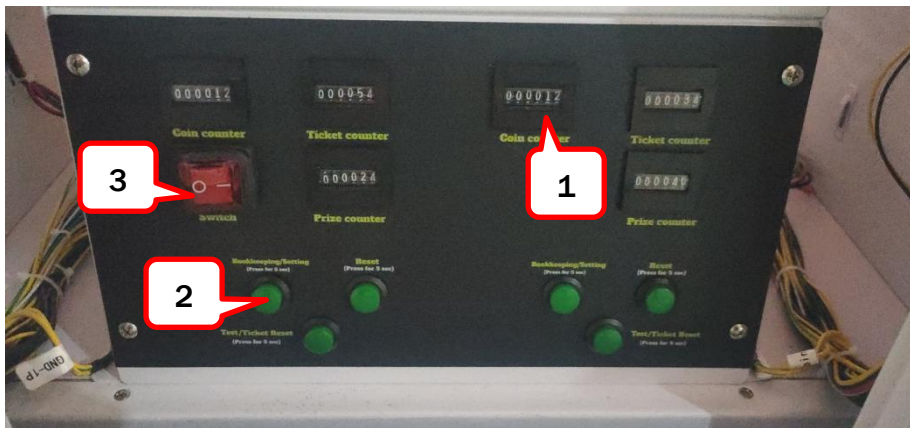
No.	Part No.	Code No.	Name	Version	Qty
1	0119-1713-00	208.8.22128.013	Motor board	V1.1	3
2	0119-1405-00	2.34.04.010086	Ball-out motor	V1.1	3
3	0119-1407-00	2.51.06.02.5043	Pipe	V1.1	3



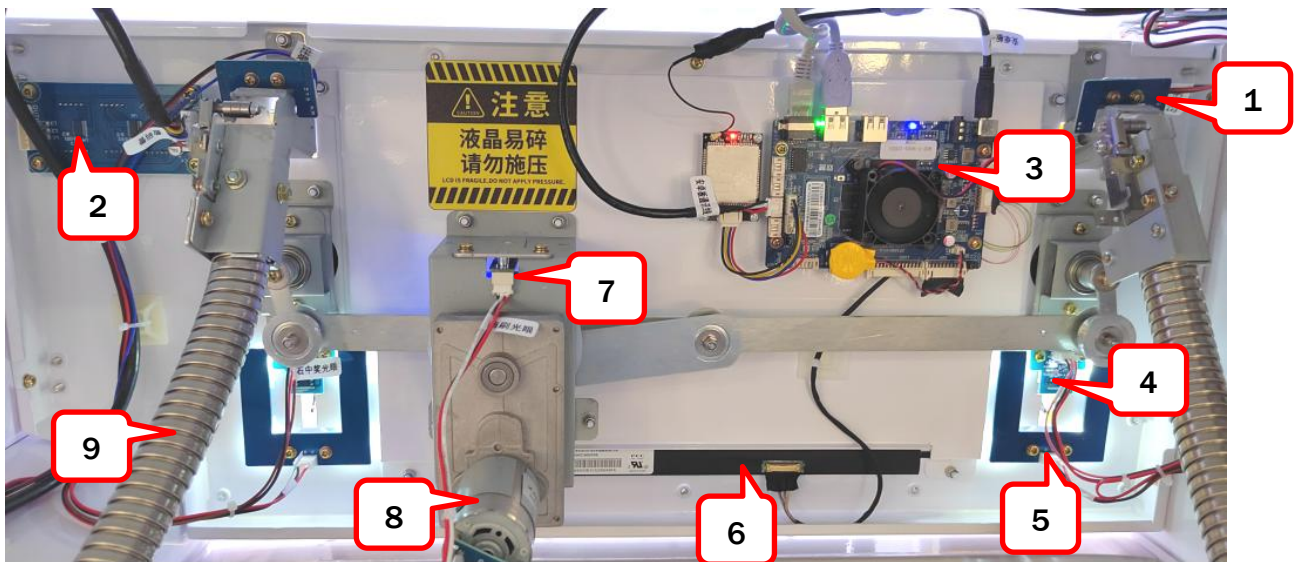
No.	Part No.	Code No.	Name	Version	Qty
1	0119-1713-00	208.8.22128.013	Motor board	V1.1	1
2	0119-1524-00	2.20.02.020092	2811 light strip	V1.1	14.5
3	0119-1404-00	2.34.04.010085	12V10R motor	V1.1	1



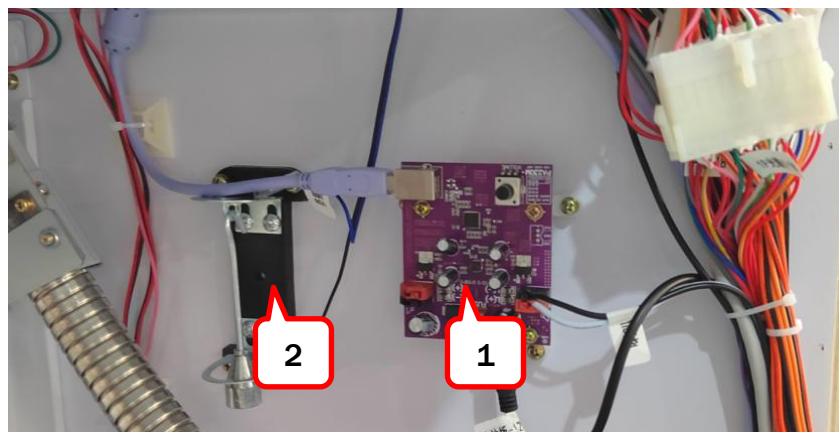
No.	Part No.	Code No.	Name	Version	Qty
1	0119-1711-00	208.8.22128.011	Prize slot sensor	V1.1	2



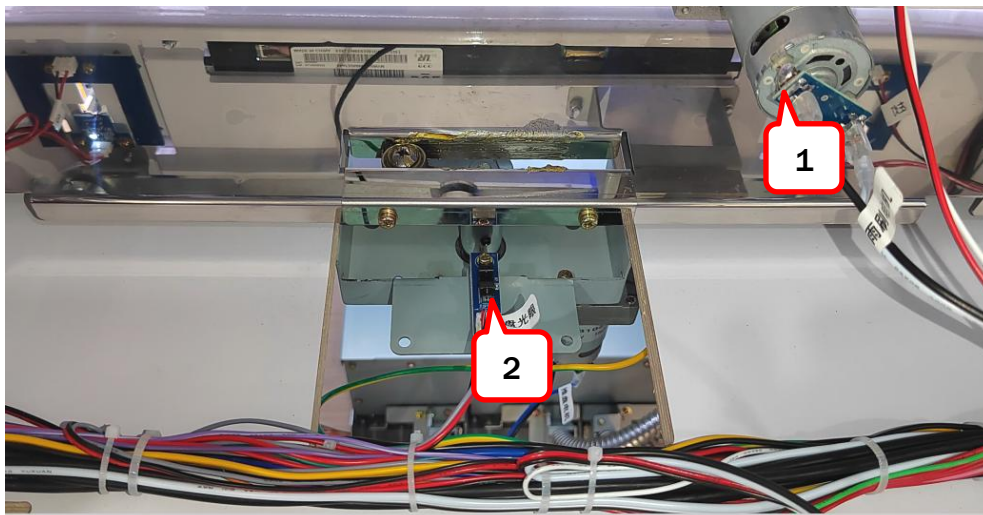
No.	Part No.	Code No.	Name	Version	Qty
1	0119-1509-00	2.30.00000005	Meter	V1.1	6
2	0119-1513-00	2.24.02.070012	Green button	V1.1	6
3	0119-1510-00	2.26.01.040005	Power SW button	V1.1	1



No.	Part No.	Code No.	Name	Version	Qty
1	0119-1709-00	208.8.22128.009	Ball-out sensor	V1.1	2
2	0119-1707-00	208.8.22128.007	0.8" display	V1.1	1
3	0119-1701-00	208.8.22128.001	Android board	V1.1	1
4	0119-1705-00	208.8.22128.005	Hook sensor	V1.1	2
5	0119-1712-00	208.8.22128.012	U type light board	V1.1	4
6	0119-1523-00	2.12.01.000042	15.6" monitor	V1.1	1
7	0119-1706-00	208.8.22128.006	Slot sensor	V1.1	1
8	0119-1404-00	2.34.04.010085	12V10R motor	V1.1	1
9	0119-1407-00	2.51.06.02.5043	Pipe	V1.1	1



No.	Part No.	Code No.	Name	Version	Qty
1	0119-1708-00	208.8.22128.008	Amplifier	V1.1	1
2	0119-1515-00	4.11.00000002	Tilt alarm	V1.1	1



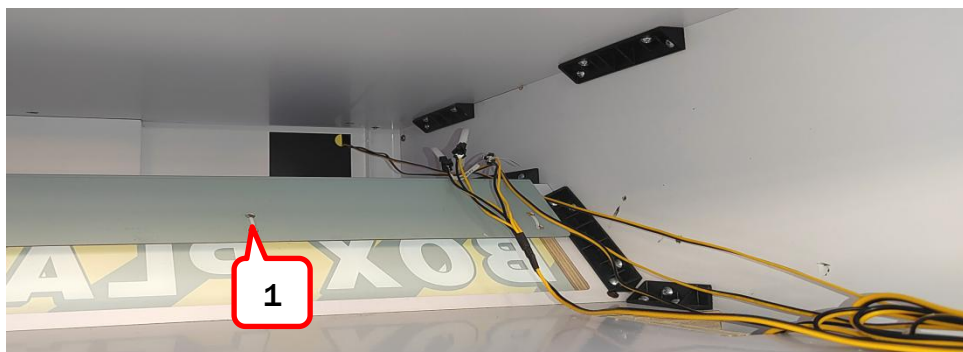
No.	Part No.	Code No.	Name	Version	Qty
1	0119-1713-00	208.8.22128.013	Motor board	V1.1	1
	0119-1404-00	2.34.04.010085	12V10R motor	V1.1	1
2	0119-1706-00	208.8.22128.006	Slot sensor	V1.1	1



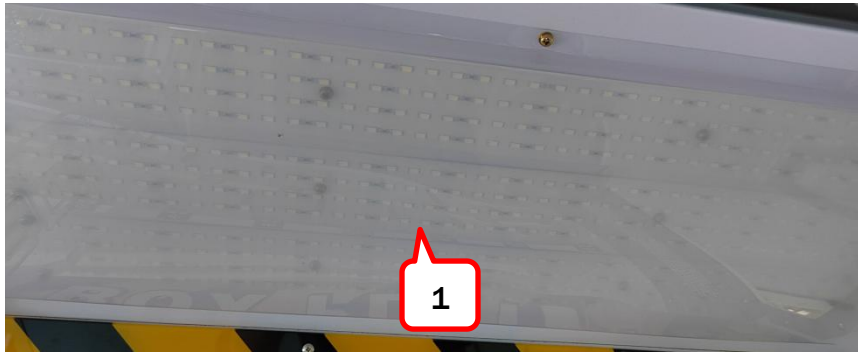
No.	Part No.	Code No.	Name	Version	Qty
1	0119-1406-00	2.34.04.010092	Track motor	V1.1	24
2	0119-1710-00	208.8.22128.010	Prize out sensor	V1.1	26



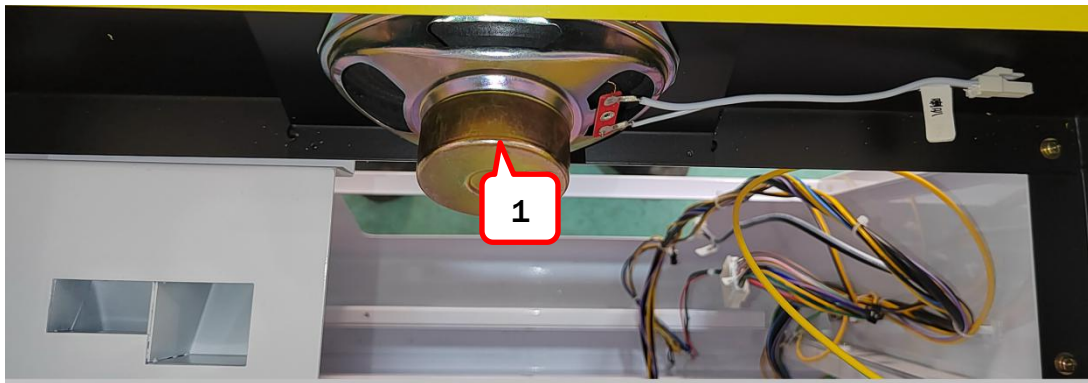
No.	Part No.	Code No.	Name	Version	Qty
1	0119-1409-00	2.34.04.010093	DC motor	V1.1	2



No.	Part No.	Code No.	Name	Version	Qty
1	0119-1519-00	2.20.02.020084	2835 light strip	V1.2	6.2



No.	Part No.	Code No.	Name	Version	Qty
1	0119-1518-00	2.17.04.000264	Long light board	V1.1	6



No.	Part No.	Code No.	Name	Version	Qty
1	0119-1514-00	2.28.01.000016	Speaker	V1.1	2



No.	Part No.	Code No.	Name	Version	Qty
1	0119-1518-00	2.17.04.000264	Long light board	V1.1	6
2	0119-1523-00	2.12.01.000042	15.6" monitor	V1.1	2
3	0119-1505-00	2.24.01.000005	Button	V1.1	4
4	0119-1503-00	2.23.01000002	Coin mechanism	V1.1	2
5	0119-1501-00	2.31.00000005	Ticket dispenser	V1.1	2
	0119-1502-00	297.9.0700002	Ticket converted board	V1.1	2
6	0119-1506-00	2.24.01.010001	Triangle button	V1.1	2
7	0119-1707-00	208.8.22128.007	0.8" display	V1.1	1

www.unistechology.com

